

**VERSIONE CORRETTA**



**MW Aftermarket srl**



**RUOTE | 2016**  
**IN ACCIAIO | 2017**  
**PER AUTOVETTURE**



## DISTRIBUZIONE Distribution

MILANO - MALPENSA

 **MW Aftermarket**

SCHORNDORF

 **MW Deutschland**

CHAPAREILLAN

 **DR Distribution Roues**

LUBLIN

 **MW Poland**

DRAGASANI

 **MW Romania**

KINGISEPP

 **MW Kingisepp**

## PRODUZIONE Production

TERGNIER

 **MW France**

DRAGASANI

 **MW Romania**

LUBLIN

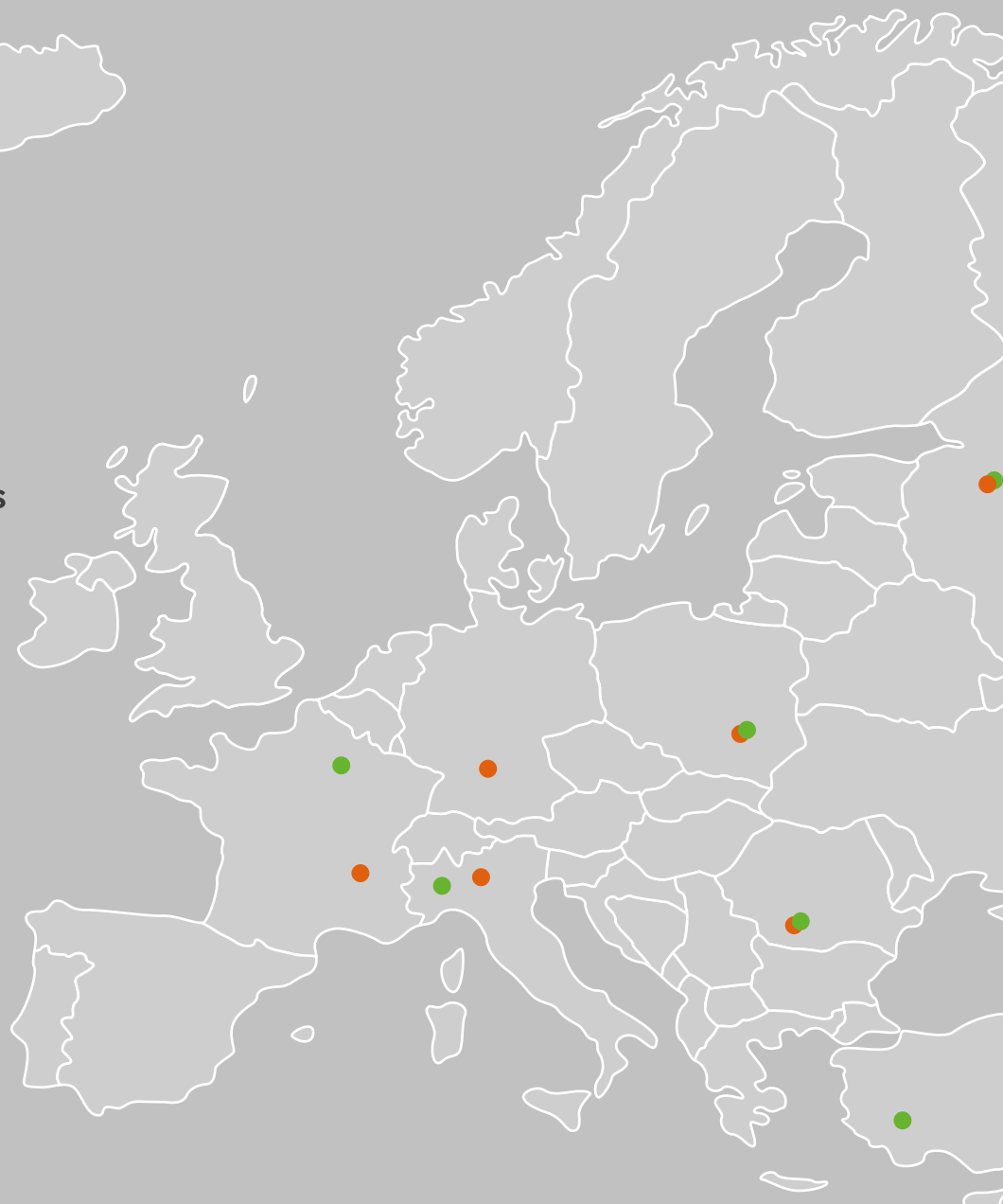
 **MW Lublin**

KINGISEPP

 **MW Kingisepp**

AYDIN

 **JMW**



**7300** | PERSONE  
Employees

**51** | STABILIMENTI  
Plants

**18** | PAESI  
Countries

**4** | CONTINENTI  
Continents

**1.330.000** | RICAVI  
€/000 | Turnover



Alfa Romeo	2
Audi	3-4
BMW	5-7
Chevrolet/Daewoo	8-9
Citroën	10-14
Dacia	15
Daihatsu	16
Dodge	17
Fiat	18-22
Ford	23-27
Honda	28
Hyundai	29-31
Iveco veicoli commerciali	32
Jeep	33
Kia	34-35
Lada	36
Lancia	37
Land Rover	38
Mazda	39-40
Mercedes	41-44
Mini	45

Mitsubishi	46
Nissan	47-49
Opel	50-55
Peugeot	56-60
Piaggio	61
Renault	62-66
Saab	67
Seat	68-69
Skoda	70-72
Smart	73
Subaru	74
Suzuki	75
Toyota	76-77
Volkswagen	78-83
Volvo	84
ELENCO PER CODICE PRODOTTO	85-96

MW Aftermarket commercializza anche ruote camion prodotte da **GIANETTI RUOTE**.  
Richiedere catalogo specifico.

Vi ricordiamo che nella scelta di ruota e pneumatico è assolutamente indispensabile che vengano rispettate scrupolosamente le indicazioni del libretto di circolazione che riporta i dati tecnici di ruote e pneumatici omologati per quello specifico veicolo.

Le misure di pneumatico riportate nel presente catalogo sono quelle più comuni. È comunque possibile che ne siano ammesse anche altre.

Tutte le informazioni contenute nel presente catalogo sono state verificate con la massima accuratezza possibile, ma sono comunque soggette ad aggiornamenti continui.

MW Aftermarket declina qualsiasi responsabilità per eventuali errori ed omissioni.

Tutti gli stabilimenti produttivi MW sono certificati **ISO 9001:2008** e **ISO/TS 16949**.



# Alfa Romeo



R1-857



R1-977



R1-1237



R1-1238



R1-1402



R1-1475



R1-1524



R1-1594



R1-1710



R1-1772

Modello	Motorizzazioni	Omologazione del veicolo	Codice progetto	Anno di produzione	Misura ruota	Misura pneumatico			Disegno MWD	Disegno MW Aftermarket	Osservazioni	Dati tecnici				Pezzi per paletta	Prezzo EUR senza IVA
						Foro centrale	Interasse fori	Fori attacco				Offset					
145/146	1.4i/1.4TS/1.6i/1.6TS/1.7i-16V/1.8TS/1.9JTD/2.0TD	G731, e3*96/27*0029*	930	09.94-12.00	5½ J x 14	175/65R14	185/60R14		14100	R1-977	E	58	98	4	43	54	78,20
145/146	1.4i/1.4TS/1.6i/1.6TS/1.7i-16V/1.8TS/1.9JTD/2.0TS/1.0TD145/Quadrifoglio	G731, e3*96/27*0029*	930	09.94-12.00	6 J x 15	195/50R15	195/55R15		15001	R1-857	E	58	98	4	49,5	40	92,40
147	1.6TS-ECO/1.6TS-16V/1.9JTD-8V/1.9JTD-16V	e3*98/14*0070*	937	01.01-05.10	6 J x 15	185/65R15			15124	R1-1402		58	98	5	37,5	40	74,60
147	1.6TS-ECO/1.6TS-16V/1.9JTD-8V/1.9JTD-16V/2.0TS-16V	e3*98/14*0070*	937	01.01-05.10	6½ J x 15	195/60R15			15053	R1-1238	E	58	98	5	41,5	40	81,10
147GT	1.8TS/1.9JTD-16V/2.0JTS-16V	e3*98/14*0070*	937	05.04-03.10	6½ J x 15	195/60R15	205/60R15		15053	R1-1238	E	58	98	5	41,5	40	81,10
155	1.8i/1.8TS/2.0i/2.0TS/2.0iQ4/2.5i-V6/2.5TD	F737, F737/1, e3*95/54*0011*	167	04.92-09.97	6 J x 15	195/55R15	205/50R15		15001	R1-857	E	58	98	4	49,5	40	92,40
156/156 Sport Wagon	1.6TS-16V/1.8TS-16V/1.9JTD/1.9JTD-16V/2.0TS-16V/2.0JTS/2.4JTD/SW/1.6TS-16V/1.8TS-16V/1.9JTD/1.9JTD-16V/2.0TS-16V/2.4JTD	e3*96/27*0034*, e3*98/14*0034*	932	10.97-05.05	6 J x 15	185/65R15			15052	R1-1237	E	58	98	5	37,5	40	80,50
156/156 Sport Wagon	1.6TS-16V/1.8TS-16V/1.9JTD/1.9JTD-16V/2.0TS-16V/2.0JTS/2.4JTD/2.5V6-24V/SW/1.6TS-16V/1.8TS-16V/1.9JTD/1.9JTD-16V/2.0TS-16V/2.0JTS/2.4JTD/2.5V6-24V	e3*96/27*0034*, e3*98/14*0034*	932	10.97-05.05	6½ J x 15	185/65R15	205/60R15		15053	R1-1238	E	58	98	5	41,5	40	81,10
159/159 Sport Wagon	1.8MPI-16V/1.9JTS-16V/1.9JTD-8V/1.9JTD-16V/2.2JTS-16V	e3*2001/116*0212*	939	09.05-04.08	7 J x 16	205/55R16	215/55R16		16079	R1-1594		65	110	5	34	30	97,70
159/159 Sport Wagon	1.8MPI-16V/1.9JTD-8V/1.9JTD-16V/2.2JTS-16V	e3*2001/116*0212*	939	05.08-	7 J x 16	205/55R16	215/55R16		16079	R1-1594		65	110	5	34	30	97,70
166	2.0TS-16V/2.4JTD/2.4JTD-20V/2.5V6-24V/3.0V6-24V/3.2V6-24V	e3*98/14*0041*	936	09.03-12.07	6½ J x 15	205/55R16			16048	R1-1524		58	108	5	36,5	30	97,30
Giulietta/Turismo	1.4TB-16V/1.4TB-16V-MultiAir/1.6JTD-16V/2.0JTD-16V	e3*2007/46*0027*	940	05.10-	7 J x 16	195/55R16	205/55R16		16151	R1-1772		65	110	5	41	30	90,30
MiTo/Turismo	0.9-8V-TwinAir/1.3JTD-16V/1.4-8V/1.4-16V/1.4TB-16V/1.4TB-16V-MultiAir/1.6JTD-16V Solo 51kW e 88kW	e3*2001/116*0278*	955	09.08-	6 J x 15	185/65R15			15159	R1-1475		58	98	4	40	40	75,60
MiTo/Turismo	0.9-8V-TwinAir/1.3JTD-16V/1.4-8V/1.4-16V/1.4TB-16V/1.4TB-16V-MultiAir/1.6JTD-16V	e3*2001/116*0278*	955	09.08-	7 J x 16	195/55R16			16119	R1-1710		58	98	4	39	30	94,80





Modello	Motorizzazioni	Omologazione del veicolo	Codice progetto	Anno di produzione	Misura ruota	Misura pneumatico			Disegno MWD	Disegno MW Aftermarket	Opere- zioni	Dati tecnici				Pezzi per paletta	Prezzo EUR senza IVA
						Foro centrale	Interasse fori	Fori attacco				Offset					
<b>80/90</b>	1.8i/2.0i/2.0i-20V/2.2i/2,3i/2,3i-20V/2.6i/2.8i	E251, E251/1, E399, E399/1	89/89Q	10.90-03.96	6 J x 15	185/65R15	195/65R15	205/60R15	15019	<b>R1-931</b>		57	108	4	37	40	<b>94,50</b>
<b>80</b>	1.6/1.9TD/1.9TDI/2.0/2.0E/2.3E/2.6E/2.8E/Quattro	F889, F889/1	B4	09.91-09.94	6 J x 15	185/65R15			15019	<b>R1-931</b>		57	108	4	37	40	<b>94,50</b>
<b>80 Cabrio</b>	1.8/2.0/2.0i-20V/2.2/2.3/2.3i-20V/2.6/2.8	E251/1, e1*92/53*0002*	89	03.90-05.00	6 J x 15	185/65R15	195/65R15	205/60R15	15019	<b>R1-931</b>		57	108	4	37	40	<b>94,50</b>
<b>100/200</b>	1.9TDI/2.0/2.0E/2.3E/2.4D/2.4TD/2.5TDI/2.6E/2.8E-30V/Quattro	F619, F619/1	C4	12.90-06.94	6 J x 15	195/65R15	205/60R15		15079	<b>R1-1014</b>		57	112	5	45	40	<b>73,40</b>
<b>A1/Sportback</b>	1.0TFSI/1.2TFSI/1.4TFSI/1.6TDI/2.0TDI	e1*2007/46*0414"	8X	08.10-	6 J x 15	185/60R15			15227	<b>R1-1760</b>		57	100	5	29	40	<b>82,40</b>
<b>A2</b>	1.4i/1.4TDI/1.6FSI	e1*98/14*0131*, e1*2001/116*0131*	8Z	06.00-12.05	5 J x 15	155/65R15	165/65R15		15116	<b>R1-1366</b>	E	57	100	5	28	48	<b>85,30</b>
<b>A3</b>	1.6/1.8/1.8T/1.9TDI/Quattro	e1*95/54*0042*, e1*98/14*0042*	8L	09.96-04.03	6 J x 15	185/65R15	195/65R15	205/60R15	15051	<b>R1-1229</b>		57	100	5	38	40	<b>70,80</b>
<b>A3</b>	1.6/1.8/1.8T/1.9TDI/Quattro	e1*95/54*0042*, e1*98/14*0042*	8L	09.96-04.03	6½ J x 16	205/55R16			16007	<b>R1-1345</b>		57	100	5	42	36	<b>114,90</b>
<b>A3/Cabrio/ Sportback</b>	1.2TFSI/1.4TFSI/1.6/1.6FSI/1.6TDI/1.8TFSI/1.9TDI/1.9TDI-e/2.0TDI/2.0FSI/2.0TFSI/Quattro/Cabrio 1.2TFSI/1.6TDI/1.8TFSI/1.9TDI/2.0TFSI/2.0TDI	e1*2001/116*0217*,-/241*, -/456*	8P	05.03-03.13	6 J x 16	205/55R16			16044	<b>R1-1492</b>		57	112	5	50	30	<b>93,40</b>
<b>A3/Cabrio/ Sportback</b>	1.2TFSI/1.4TFSI/1.6/1.6FSI/1.6TDI/1.8TFSI/1.9TDI/1.9TDI-e/2.0TDI/2.0FSI/2.0TFSI/Quattro/Cabrio 1.2TFSI/1.6TDI/1.8TFSI/1.9TDI/2.0TFSI/2.0TDI	e1*2001/116*0217*,-/241*, -/456*	8P	05.03-03.13	6½ J x 16	205/55R16			16043	<b>R1-1491</b>		57	112	5	50	30	<b>88,20</b>
<b>A3/Sportback</b>	1.2TFSI/1.4TFSI/1.6TDI/1.8TFSI/1.8TFSI-g-tron/2.0TDI/Quattro	e1*2007/46*0607*	8V	06.12-	6 J x 16	205/55R16			16177	<b>R1-1851</b>		57	112	5	48	30	<b>87,00</b>
<b>A3/Sportback</b>	1.2TFSI/1.4TFSI/1.6TDI/1.8TFSI/1.8TFSI-g-tron/2.0TDI/Quattro	e1*2007/46*0607*	8V	06.12-	6½ J x 16	205/55R16			16178	<b>R1-1852</b>		57	112	5	46	30	<b>87,20</b>

# Audi (segue)

Modello	Motorizzazioni	Omologazione del veicolo	Codice progetto	Anno di produzione	Misura ruota	Misura pneumatico			Disegno MWD	Disegno MW Aftermarket	Osservazioni	Dati tecnici				Pezzi per paletta	Prezzo EUR senza IVA
												Foro centrale	Interasse fori	Fori attacco	Offset		
<b>A3/Sportback</b>	1.4TFSI/1.6TDI/1.8TFSI/2.0TDI	e1*2007/46*0607*	8V	06.12-	7 J x 16	205/55R16			16195	<b>R1-1872</b>		57	112	5	40	30	<b>87,50</b>
<b>A3 Limousine/Cabrio</b>	1.4TFSI/1.6TDI/1.8TFSI/2.0TDI/Quattro / Cabrio 1.4TFSI/1.6TDI/1.8TFSI/2.0TDI/Quattro	e1*2007/46*0607* a partire da NT*09	8V	08.13-	6½ J x 16	205/55R16			16194	<b>R1-1871</b>		57	112	5	43	30	<b>87,20</b>
<b>A4/Avant</b>	1.6/1.8/1.8T/1.9TDI/2.4/2.5TDI/2.6/2.8/2.8-30V/Quattro	e1*93/81*0013*, e1*98/14*0013*	B5	12.94-11.00	6 J x 15	185/65R15	195/65R15	205/60R15	15079	<b>R1-1014</b>		57	112	5	45	40	<b>73,40</b>
<b>A4/Avant</b>	1.6i/1.8T/1.9TDI/2.0i/2.0FSI/Quattro	e1*98/14*0151*, e1*2001/116*0151*	8E	12.00-11.04	6½ J x 15	195/65R15			15123	<b>R1-1156</b>		57	112	5	33	40	<b>77,80</b>
<b>A4/Avant</b>	1.6i/1.8T/1.9TDI/2.0i/2.0FSI/2.4i/2.5TDI/3.0i-V6/Quattro	e1*98/14*0151*, e1*2001/116*0151*	8E	07.02-11.04	7 J x 16	205/55R16	215/55R16		16064	<b>R1-1565</b>		57	112	5	42	30	<b>101,00</b>
<b>A4/Avant (Facelift)</b>	1.6i/1.9TDI/2.0TDI	e1*2001/116*0151*	8E	12.04-10.08	6½ J x 15	195/65R15			15123	<b>R1-1156</b>		57	112	5	33	40	<b>77,80</b>
<b>A4/Avant (Facelift)</b>	1.6i/1.8i/1.9TDI/2.0i/2.0TDI/Quattro	e1*2001/116*0151*	8E	12.04-10.08	7 J x 16	205/55R16	215/55R16		16064	<b>R1-1565</b>		57	112	5	42	30	<b>101,00</b>
<b>A4/Avant</b>	1.8TFSI/2.0TDI/2.0TDI-e/Quattro	e1*2001/116*0430*, e13*2007/46*1084*	B8/B81	11.07-	7 J x 16	205/60R16			16107	<b>R1-1702</b>		66,5	112	5	39	30	<b>100,10</b>
<b>A4/Avant</b>	1.8TFSI/2.0TDI/2.0TDI-e/2.7TDI/3.0TDI/3.2FSI/Quattro	e1*2001/116*0430*, e13*2007/46*1084*	B8/B81	11.07-	7½ J x 16	225/55R16			16196	<b>R1-1800</b>		66,5	112	5	45	30	<b>101,80</b>
<b>A6/Avant</b>	1.8/1.9TDI/2.0/2.5TDI/2.6/2.8/2.8-30V/Quattro	F619, F619/1	C4	06.94-04.97	6 J x 15	195/65R15	205/60R15		15079	<b>R1-1014</b>		57	112	5	45	40	<b>73,40</b>
<b>A6/Avant</b>	1.8/1.8T/1.9TDI/2.4/2.5TDI/2.8/Quattro	e1*96/27*0051*, e1*98/14*0051*	4B	05.97-08.99	6 J x 15	195/65R15	205/60R15		15079	<b>R1-1014</b>		57	112	5	45	40	<b>73,40</b>
<b>A6/Avant</b>	1.8/1.8T/1.9TDI/2.4/2.5TDI/2.8/Quattro	e1*96/27*0051*, e1*98/14*0051*, e1*2001/116*0051*	4B	09.99-03.05	6 J x 16	205/55R16			16005	<b>R1-1361</b>		57	112	5	40	30	<b>100,30</b>
<b>A6/Avant</b>	2.0TFSI/2.0TDI/2.4i/2.7TDI/2.8FSI/3.0i/3.0TDI/3.2FSI/Quattro	e1*2001/116*0254*	4F	05.04-07.11	7 J x 16	205/60R16	225/55R16		16064	<b>R1-1565</b>		57	112	5	42	30	<b>101,00</b>
<b>A6/Avant</b>	2.0TFSI/2.0TDI/2.0TDI-e/2.7TDI/2.8FSI/3.0TDI/Quattro	e13*2007/46*1080*	4F1	01.10-07.11	7 J x 16	205/60R16	225/55R16		16064	<b>R1-1565</b>		57	112	5	42	30	<b>101,00</b>
<b>A6/Avant</b>	1.8TFSI/2.0TDI/2.8FSI/3.0TDI Alcune versioni montano solo 17" e 18"	e1*2007/46*0436*, e13*2007/46*1147*	4G/4G1	03.11-	7½ J x 16	225/60R16			16173	<b>R1-1849</b>		66,5	112	5	37	30	<b>81,40</b>



R1-953



R1-1012



R1-1205



R1-1214



R1-1319



R1-1409



R1-1490



R1-1562



R1-1568



R1-1598



R1-1703



R1-1704



R1-1705



R1-1759



R1-1816



R1-1904



R1-1905



R1-1906



R1-1916



R1-1917

Modello	Motorizzazioni	Omologazione del veicolo	Codice progetto	Anno di produzione	Misura ruota	Misura pneumatico			Disegno MWD	Disegno MW Aftermarket	Osservazioni	Dati tecnici				Pezzi per palette	Prezzo EUR senza IVA
												Foro centrale	Interasse fori	Fori attacco	Offset		
Serie 1	116i/116d/118i/118d/120i/120d	e1*2001/116*0287*	187	09.04-08.09	6½Jx16	195/55R16			16067	R1-1562		72,5	120	5	42	30	104,60
Serie 1	116i/116d/118i/118d/120i/120d	e1*2001/116*0287*	187	09.04-08.09	6½Jx16	195/55R16			16104	R1-1703		72,5	120	5	42	40	105,00
Serie 1	116i/116d/118i/118d/120i/120d	e1*2001/116*0287*	187	11.07-08.09	7Jx16	205/55R16			16105	R1-1704		72,5	120	5	44	40	105,00
Serie 1 Coupé/Cabrio	Coupé 120d/125i Cabrio 118i/118d/120i	e1*2001/116*0352*	182	08.07-08.09	6½Jx16	195/55R16			16067	R1-1562		72,5	120	5	42	30	104,60
Serie 1 Coupé/Cabrio	Coupé 120d/125i Cabrio 118i/118d/120i	e1*2001/116*0352*	182	08.07-08.09	6½Jx16	195/55R16			16104	R1-1703		72,5	120	5	42	40	105,00
Serie 1 Coupé/Cabrio	Coupé 120d Cabrio 118i/118d/120i/120d/125i	e1*2001/116*0352*	182	08.07-08.09	7Jx16	205/55R16			16105	R1-1704		72,5	120	5	44	40	105,00
Serie 1	116i/116d/118i/118d/120i/120d/123d	e1*2007/46*0273*04, -/283*03	1K2/1K4	09.09-09.11	6½Jx16	195/55R16			16104	R1-1703		72,5	120	5	42	40	105,00
Serie 1	116i/116d/118i/118d/120i/120d/123d	e1*2007/46*0273*04, -/283*03	1K2/1K4	09.09-09.11	7Jx16	205/55R16			16105	R1-1704		72,5	120	5	44	40	105,00
Serie 1 (F20/21)	114i/114d/116i/116d/118i/118d/120d	e1*2007/46*0273*05, -/283*04	1K2/1K4	10.11-	6½Jx16	195/55R16			16158	R1-1816	E	72,5	120	5	33	30	105,60



Modello	Motorizzazioni	Omologazione del veicolo	Codice progetto	Anno di produzione	Misura ruota	Misura pneumatico			Disegno MWD	Disegno MW Aftermarket	Osservazioni	Dati tecnici				Pezzi per paletta	Prezzo EUR senza IVA
												Foro centrale	Interasse fori	Fori attacco	Offset		
<b>Serie 1 (F20/21)</b>	114i/114d/116i/116d/118i/118d/120d Sostituisce R1-1816 per TPMS	e1*2007/46*0273*05, -,/283*04	1K2/1K4	10.11-	6½Jx16	195/55R16			16199	<b>R1-1904</b>		72,5	120	5	33	30	<b>101,50</b>
<b>Serie 1 (F20/21)</b>	114i/114d/116i/116d/116ed/118i/118d/120d/125i/125d/118d-xDrive/120d-xDrive Sostituisce R1-1815 per TPMS	e1*2007/46*0273*05, -,/283*04	1K2/1K4	10.11-	7Jx16	205/55R16			16198	<b>R1-1906</b>		72,5	120	5	40	30	<b>101,50</b>
<b>Serie 1 Coupé/Cabrio</b>	Coupé 118d/120i/120d/125i Cabrio 118i/118d/120i	e1*2007/46*0277*	1C	09.09-12.13	6½Jx16	195/55R16			16104	<b>R1-1703</b>		72,5	120	5	42	40	<b>105,00</b>
<b>Serie 1 Coupé/Cabrio</b>	Coupé 118d/120i/120d/125i Cabrio 118i/118d/120i/120d/125i	e1*2007/46*0277*	1C	09.09-12.13	7Jx16	205/55R16			16105	<b>R1-1704</b>		72,5	120	5	44	40	<b>105,00</b>
<b>Serie 2 Coupé/Cabrio (F22/F23))</b>	218d/220d/220i	a partire da e1*2007/46*0277*08	1C	03.14-	7Jx16	205/55R16			16198	<b>R1-1906</b>		72,5	120	5	40	30	<b>101,50</b>
<b>Serie 2 Active Tourer (F45)</b>	214d/216d/218d/218i/220i/220d/220dx BMW Minivan	a partire da e1*2007/46*0371*13	UKL-L	09.14-	7Jx16	195/65R16			16211	<b>R1-1916</b>		66,5	112	5	47	30	<b>95,20</b>
<b>Serie 2 Active Tourer (F45)</b>	214d/216d/218d/218i/220i/220d/220dx BMW Minivan	a partire da e1*2007/46*0371*13	UKL-L	09.14-	7Jx16	205/60R16			16212	<b>R1-1917</b>		66,5	112	5	52	30	<b>95,20</b>
<b>Serie 3 Compact</b>	316i/318iS/318ti/318tds	e1*93/81*0017*, e1*98/14*0017*	3/CG	05.94-05.01	6Jx15	185/65R15			15017	<b>R1-953</b>		72,5	120	5	42	40	<b>91,50</b>
<b>Serie 3 Compact</b>	316i/318iS/318ti/318tds/323ti	e1*93/81*0017*, e1*98/14*0017*	3/CG	05.94-05.01	6½Jx15	205/60R15			15020	<b>R1-1012</b>		72,5	120	5	47	40	<b>97,30</b>
<b>Serie 3 Compact</b>	316i/318iS/318ti/318tds/323ti	e1*93/81*0017*, e1*98/14*0017*	3/CG	05.94-05.01	7Jx16	205/55R16	225/50R16		16029	<b>R1-1490</b>		72,5	120	5	47	30	<b>89,90</b>
<b>Serie 3</b>	316i/318i/318iS/318tds/320i/323i/325i/325td/325tds/328i	F547, e1*93/81*0015*, e1*96/79*0084*	3-C/3-CNG	12.90-04.98	6Jx15	185/65R15			15017	<b>R1-953</b>		72,5	120	5	42	40	<b>91,50</b>
<b>Serie 3</b>	316i/316g/318i/318iS/318tds/320i/323i/325td/325tds/328i	F547, e1*93/81*0015*, e1*96/79*0084*	3C/3-C/3-CNG	12.90-04.98	6½Jx15	205/60R15	225/55R15		15020	<b>R1-1012</b>		72,5	120	5	47	40	<b>97,30</b>
<b>Serie 3</b>	316i/318i/318iS/318tds/320i/323i/325td/325tds/328i	e1*93/81*0015*	3/C	08.95-04.98	7Jx16	205/55R16	225/50R16		16029	<b>R1-1490</b>		72,5	120	5	47	30	<b>89,90</b>
<b>Serie 3 Touring</b>	316i/318i/318tds	e1*93/81*0015*	3/C	05.95-09.99	6Jx15	185/65R15			15017	<b>R1-953</b>		72,5	120	5	42	40	<b>91,50</b>
<b>Serie 3 Touring</b>	316i/318i/318tds/320d/320i/323i/325tds/328i	e1*93/81*0015*	3/C	05.95-09.99	6½Jx15	205/60R15	225/55R15		15020	<b>R1-1012</b>		72,5	120	5	47	40	<b>97,30</b>
<b>Serie 3 Touring</b>	316i/318i/318tds/320d/320i/323i/325tds/328i	e1*93/81*0015*	3/C	08.95-09.99	7Jx16	205/55R16	225/50R16		16029	<b>R1-1490</b>		72,5	120	5	47	30	<b>89,90</b>
<b>Serie 3 Coupé/Cabrio</b>	Coupé 316i/318iS/320i/323i/325i/328i/Cabrio 318i/320i/323i/325i	F920, e1*93/81*0016*	3B/3-B	01.92-04.00	6Jx15	185/65R15			15017	<b>R1-953</b>		72,5	120	5	42	40	<b>91,50</b>
<b>Serie 3 Coupé/Cabrio</b>	Coupé 316i/318iS/320i/323i/325i/328i/Cabrio 318i/320i/323i/325i/328i	F920, e1*93/81*0016*	3/B	01.92-04.00	6½Jx15	205/60R15	225/55R15		15020	<b>R1-1012</b>		72,5	120	5	47	40	<b>97,30</b>
<b>Serie 3 Coupé/Cabrio</b>	Coupé 316i/318iS/320i/323i/325i/328i/Cabrio 318i/320i/323i/325i/328i	e1*93/81*0016*	3/B	04.98-04.00	7Jx16	205/55R16	225/50R16		16029	<b>R1-1490</b>		72,5	120	5	47	30	<b>89,90</b>
<b>Serie 3 Compact</b>	316ti/318ti/318td	e1*98/14*0167*, e1*2001/116*0167*	346K	06.01-03.05	6½Jx15	195/65R15	205/60R15		15055	<b>R1-1319</b>		72,5	120	5	42	40	<b>91,50</b>
<b>Serie 3 Compact</b>	316ti/318ti/318td/320td/325ti	e1*98/14*0167*, e1*2001/116*0167*	346K	06.01-03.05	7Jx16	205/55R16	225/50R16		16029	<b>R1-1490</b>		72,5	120	5	47	30	<b>89,90</b>
<b>Serie 3 Compact</b>	316ti/318ti/318td/320td/325ti	e1*98/14*0167*, e1*2001/116*0167*	346K	06.01-03.05	7Jx17	205/50R17			17001	<b>R1-1409</b>		72,5	120	5	47	25	<b>117,40</b>
<b>Serie 3 Lim/Touring</b>	316i/318i/318d/320i/320d/323i/Touring 316i/318i/318d/320i/320d	e1*97/27*0097*, e1*98/14*0097*	346L	04.98-09.05	6½Jx15	195/65R15	205/60R15		15055	<b>R1-1319</b>		72,5	120	5	42	40	<b>91,50</b>
<b>Serie 3 Lim/Touring</b>	316i/318i/318d/320i/320d/323i/325i/328i/Touring 316i/318i/318d/320i/320d/323i/328i	e1*97/27*0097*, e1*98/14*0097*	346L	04.98-09.05	7Jx16	205/55R16	225/50R16		16029	<b>R1-1490</b>		72,5	120	5	47	30	<b>89,90</b>

<b>Serie 3 Lim/Touring</b>	316i/318i/318d/320i/320d/323i/325i/328i/330i/330d/ Touring 316i/318i/318d/320i/320d/323i/325i/328i/330i/ 330d	e1*98/14*0097*	346L	04.00-09.05	7Jx17	205/50R17			17001	<b>R1-1409</b>	72,5	120	5	47	25	<b>117,40</b>	
<b>Serie 3 4x4</b>	325xi	e1*98/14*0144*, e1*2001/116*0144*	346X	04.00-03.05	7Jx16	205/55R16			16029	<b>R1-1490</b>	72,5	120	5	47	30	<b>89,90</b>	
<b>Serie 3 Lim/ Touring/4x4</b>	325xi/330xi/330xd/Touring 330xi/330xd	e1*98/14*0144*, e1*2001/116*0144*	346X	04.00-09.05	7Jx17	205/50R17			17001	<b>R1-1409</b>	72,5	120	5	47	25	<b>117,40</b>	
<b>Serie 3 Coupé/ Cabrio</b>	316Ci/318Ci/320Ci/323Ci Cabrio 318Ci	e1*98/14*0112*, e1*2001/116*0112*, e1*98/14*0146*, e1*2001/116*0146*	346C/346R	10.99-03.07	6½Jx15	195/65R15	205/60R15		15055	<b>R1-1319</b>	72,5	120	5	42	40	<b>91,50</b>	
<b>Serie 3 Coupé/ Cabrio</b>	Coupé 316Ci/318Ci/320Ci/323Ci/325Ci/328Ci Cabrio 318Ci/320Ci/323Ci/325Ci	e1*98/14*0112*, e1*2001/116*0112*, e1*98/14*0146*, e1*2001/116*0146*	346C/346R	10.99-03.07	7Jx16	205/55R16	225/50R16		16029	<b>R1-1490</b>	72,5	120	5	47	30	<b>89,90</b>	
<b>Serie 3 Coupé/ Cabrio</b>	Coupé 316Ci/318Ci/320Ci/323Ci/325Ci/328Ci/330Ci/ 330Cd Cabrio 318Ci/320Ci/323Ci/325Ci/330Ci	e1*98/14*0112*, e1*2001/116*0112*, e1*98/14*0146*, e1*2001/116*0146*	346C/346R	04.00-03.07	7Jx17	205/50R17			17001	<b>R1-1409</b>	72,5	120	5	47	25	<b>117,40</b>	
<b>Serie 3</b>	316i/318i/318d/320i/320d/325i	e1*2001/116*0308*	390L	03.05-08.07	7Jx16	205/55R16	225/50R16		16078	<b>R1-1598</b>	72,5	120	5	34	40	<b>85,60</b>	
<b>Serie 3</b>	316i/318i/318d/320i/320d/325i	e1*2001/116*0308*09	390L	09.07-12.09	7Jx16	205/55R16			16106	<b>R1-1705</b>	72,5	120	5	31	40	<b>92,70</b>	
<b>Serie 3 Coupé/ Cabrio</b>	Coupé 316Ci/320Ci/320Cd/325Ci Cabrio 320Ci/320Cd/ 325Ci	e1*2001/116*0346*	392C	01.06-08.07	7Jx16	205/55R16	225/50R16		16078	<b>R1-1598</b>	72,5	120	5	34	40	<b>85,60</b>	
<b>Serie 3 Coupé/ Cabrio</b>	Coupé 316Ci/320Ci/320Cd/325Ci Cabrio 320Ci/320Cd/ 325Ci	e1*2001/116*0346*	392C	09.07-12.09	7Jx16	205/55R16			16106	<b>R1-1705</b>	72,5	120	5	31	40	<b>92,70</b>	
<b>Serie 3 Touring</b>	318i/318d/320i/320d/325i	e1*2001/116*0308*	390L	09.05-08.07	7Jx16	205/55R16	225/50R16		16078	<b>R1-1598</b>	72,5	120	5	34	40	<b>85,60</b>	
<b>Serie 3 Touring</b>	318i/318d/320i/320d/325i	e1*2001/116*0308*09	390L	09.07-12.09	7Jx16	205/55R16			16106	<b>R1-1705</b>	72,5	120	5	31	40	<b>92,70</b>	
<b>Serie 3 xDrive</b>	325iX	e1*2001/116*0344*	390X	07.05-06.08	7Jx16	205/55R16	225/50R16		16078	<b>R1-1598</b>	72,5	120	5	34	40	<b>85,60</b>	
<b>Serie 3 xDrive</b>	320d	e1*2001/116*0344*	390X	07.08-12.09	7Jx16	205/55R16			16106	<b>R1-1705</b>	72,5	120	5	31	40	<b>92,70</b>	
<b>Serie 3 Lim/Touring</b>	316d/318i/318d/320i/320d/320d-xDrive/325i	e1*2007/46*0314*, -/315*	3L/3K	01.10-02.12	7Jx16	205/55R16			16106	<b>R1-1705</b>	72,5	120	5	31	40	<b>92,70</b>	
<b>Serie 3 Coupé/ Cabrio</b>	Coupé 316i/318i/320i/320d/320d-xDrive/325i Cabrio 318i/320i/320i/320d/325i	e1*2007/46*0316	3C	01.10-01.14	7Jx16	205/55R16			16106	<b>R1-1705</b>	72,5	120	5	31	40	<b>92,70</b>	
<b>Serie 3 Lim/Touring (F30/31)</b>	316d/316i/318d/320d/320i/318d-xDrive/320d-xDrive Sostituisce R1-1814	e1*2007/46*0314*, -/315*, a partire da e24*2007/46*0022*03	3L/3K/3K-N1	02.12-	7Jx16	205/60R16			16197	<b>R1-1905</b>	72,5	120	5	31	30	<b>90,80</b>	
<b>Serie 4 Grand Coupé</b>	418d/418i	e1*2007/46*0316*	3C	04.14-	7Jx16	205/60R16			16197	<b>R1-1905</b>	72,5	120	5	31	30	<b>90,80</b>	
<b>Serie 5</b>	520i/520d/523i/525d/525tds/528i	e1*93/81*0028*, e1*98/14*0028*	5/D	11.95-07.03	6½Jx15	205/65R15			15091	<b>R1-1205</b>	E	74	120	5	18	40	<b>97,70</b>
<b>Serie 5</b>	520i/520d/523i/525d/525td/525tds/528i/530d/535i	e1*93/81*0028*, e1*98/14*0028*	5/D	05.96-07.03	7Jx15	205/65R15	225/60R15		15094	<b>R1-1214</b>	74	120	5	20	64	<b>105,30</b>	
<b>Serie 5 Touring</b>	520i/520d/523i/525i/525d/525td/525tds/528i/530d	e1*93/81*0028*, e1*98/14*0028*	5/D	03.97-11.04	7Jx15	205/65R15	225/60R15		15094	<b>R1-1214</b>	74	120	5	20	64	<b>105,30</b>	
<b>Serie 5</b>	520i/520d/523i/525i	e1*2001/116*0230*	560L	08.03-02.10	7Jx16	205/60R16	225/55R16		16065	<b>R1-1568</b>	72,5	120	5	20	30	<b>108,00</b>	
<b>Serie 5 Touring</b>	520d/523i	e1*2001/116*0230*	560L	01.06-04.10	7Jx16	225/55R16			16065	<b>R1-1568</b>	72,5	120	5	20	30	<b>108,00</b>	
<b>X1</b>	16d/16i/18d/18i/20d/20i/23d/25i/28i/x-Drive/s-Drive	e1*2007/46*0275*, -/0454*, e24*2007/46*0024*	X1/X1-N1/X-N1	11.09-09.15	7½Jx17	225/50R17			17007	<b>R1-1759</b>	72,5	120	5	34	25	<b>114,60</b>	
<b>Z3 Roadster</b>	1.8i/1.9i	e1*93/81*0029*	R/C	03.96-03.03	6Jx15	185/65R15			15017	<b>R1-953</b>	72,5	120	5	42	40	<b>91,50</b>	
<b>Z3 Roadster/Coupe</b>	1.8i/1.9i/2.0i/2.2i/2.8i	e1*93/81*0029*, e1*98/14*0029*	R/C	03.96-03.03	6½Jx15	205/60R15	225/55R15		15020	<b>R1-1012</b>	72,5	120	5	47	40	<b>97,30</b>	
<b>Z3 Roadster/Coupe</b>	1.9i/2.0i/2.2i/2.8i/3.0i	e1*93/81*0029*, e1*98/14*0029*	R/C	07.98-03.03	7Jx16	225/50R16			16029	<b>R1-1490</b>	72,5	120	5	47	30	<b>89,90</b>	

# Chevrolet/Daewoo



R1-1165



R1-1341



immagine  
non  
disponibile

R1-1342



R1-1364



R1-1512



R1-1513



R1-1514



R1-1553



R1-1621



R1-1776



R1-1777



R1-1788



R1-1792



R1-1831



R1-1843



R1-1846



R1-1860



R1-1866

Modello	Motorizzazioni	Omologazione del veicolo	Codice progetto	Anno di produzione	Misura ruota	Misura pneumatico		Disegno MWD	Disegno MW Aftermarket	Osservazioni	Dati tecnici				Pezzi per paletta	Prezzo EUR senza IVA
						Foro centrale	Interasse fori				Fori attacco	Offset				
Aveo	1.2LS/1.4LT	e4*2001/116*0063*	KLAS	02.06-06.11	5 J x 13	155/80R13	175/70R13	13114	R1-1512		56,5	100	4	45	108	73,20
Aveo	1.2LS/1.4LT	e4*2001/116*0063*, e50*2007/46*0046*	KLAS/CHIA	02.06-06.11	5½ J x 14	185/60R14		14151	R1-1513		56,5	100	4	45	90	89,40
Aveo	1.2LS/1.4LT	e4*2007/46*0270*	KL1T	07.11-12.14	5½ J x 14	185/75R14		14194	R1-1860		56,5	100	4	39	54	68,00
Aveo	1.2/1.2-Bifuel/1.4 4 fori	e4*2007/46*0270*, e50*2007/46*0087*	KL1T/CHIV	07.11-12.14	6 J x 15	195/65R15	205/60R15	15250	R1-1843		56,5	100	4	39	40	79,10
Aveo	1.3TD/1.6 5 fori	e4*2007/46*0270*	KL1T	07.11-12.14	6 J x 15	195/65R15	205/60R15	15251	R1-1846		56,5	105	5	39	40	79,10
Captiva	2.0D-LS/LT/2.4LS/LT/3.0LT/3.2LT/2WD/4WD	e4*2001/116*0113*	KLAC	06.06-12.14	6½ J x 16	215/70R16		16150	R1-1792		70,3	115	5	46	34	127,80
Cruze	1.5/1.6/1.6LS/1.8LS/LT	e4*2001/116*0140*, e50*2007/46*0007*	KL1J/CHIR	05.09-12.14	6½ J x 16	205/60R16	215/60R16	16143	R1-1776		56,5	105	5	39	30	89,30
Cruze	1.7D-L/2.0D-LS/LT	e4*2001/116*0140*	KL1J	05.09-12.14	6½ J x 16	205/60R16	215/60R16	16144	R1-1777		70,3	115	5	41	30	89,30
Epica	2.0i-V6/2.0D-LS/LT/2.5i-V6/LS/LT	e4*2001/116*0068*06	KLAL	07.06-12.10	6 J x 15	205/65R15		15157	R1-1514		56,5	114,3	4	49	88	107,50
Espero	1.5GL/GTX/GLX/1.8CD/2.0CD	H019, e13*95/54*0007*	KLEJ	02.95-05.97	5½ J x 14	185/65R14		14013	R1-1364		56,5	100	4	49	48	79,30
Evanda	2.0CDX	fino a e4*2001/116*0068*05	KLAL	04.03-06.06	6 J x 15	205/65R15		15157	R1-1514		56,5	114,3	4	49	88	107,50
Kalos	1.2S/SE/1.4SC/1.4SX/1.4-16V-SX	e4*2001/116*0063*	KLAS	09.02-12.07	5 J x 13	155/80R13	175/70R13	13114	R1-1512		56,5	100	4	45	108	73,20
Kalos	1.2S/SE/1.4SC/1.4SX/1.4-16V-SX	e4*2001/116*0063*	KLAS	09.02-12.07	5½ J x 14	185/60R14		14151	R1-1513		56,5	100	4	45	90	89,40
Lacetti	1.4SE/1.6SX/1.8CDX/2.0D-SX/CDX	e4*2001/116*0069*	KLAN	04.04-12.10	5½ J x 14	175/70R14	185/65R14	14171	R1-1621		56,5	114,3	4	44	48	89,00
Lacetti	1.4SE/1.6SX/1.8CDX/1.8AT-CDX/2.0D-SX/CDX	e4*2001/116*0069*	KLAN	04.04-12.10	6 J x 15	195/55R15		15167	R1-1553	E	56,5	114,3	4	44	88	103,10



<b>Lanos</b>	1.4SE/1.5SE	e4*96/27*0017*, -/02*, e4*97/27*0017*, e4*98/14*0002*, -/17*, e4*2001/116*0017*	KLAT/SUPT	06.97-06.03	5Jx13	155/80R13	175/70R13			R1-1342	E	57	100	4	49		<b>57,90</b>
<b>Lanos</b>	1.4SE/1.5SE/1.6SX	e4*96/27*0017*, -/02*, e4*97/27*0017*, e4*98/14*0002*, -/17*, e4*2001/116*0017*	KLAT/SUPT	06.97-06.03	5½Jx14	185/60R14			14013	R1-1364		56,5	100	4	49	48	<b>79,30</b>
<b>Leganza</b>	2.0SX/2.0CDX/2.2SX/CDX	e4*96/27*0020*, e4*97/27*0020*, e4*98/14*0020*, e4*96/27*0003*	KLAV/SUPV	05.98-03.03	6Jx15	205/60R15			15106	R1-1165		56,5	114,3	5	49	30	<b>104,20</b>
<b>Matiz</b>	0.8S/SE/1.0S/SE	e4*97/27*0028*, e4*98/14*0028*, e4*98/14*0050*, e4*2001/116*0028*	KLYA	05.98-05.05	4½Jx13	145/70R13	155/65R13		13106	R1-1341		69,1	114,3	4	45	54	<b>59,80</b>
<b>Matiz</b>	0.8AT/S/SE/1.0S/SE/SX	e4*2001/116*0092*	KLAK	06.05-03.10	4½Jx13	145/70R13	155/65R13		13106	R1-1341		69,1	114,3	4	45	54	<b>59,80</b>
<b>Nexia</b>	1.5GL	H018, e13*93/81*0006*	KLETN	02.95-	5Jx13	155 R 13				R1-1342		57	100	4	49		<b>57,90</b>
<b>Nexia</b>	1.5GTX/1.8GT	H018, e13*93/81*0006*, e13*95/54*0006*	KLETN	02.95-12.99	5½Jx14	175/65R14	185/60R14		14013	R1-1364		56,5	100	4	49	48	<b>79,30</b>
<b>Nubira</b>	1.6SE/2.0CDX/Coupé 2.0CDX	e4*96/27*0004*, -/18*, -/25*, e4*97/27*0018*, e4*98/14*0004*, -/18*, -/25*	KLAJ/SUPJ/UU6J	06.97-06.03	5½Jx14	185/65R14			14013	R1-1364		56,5	100	4	49	48	<b>79,30</b>
<b>Nubira J200</b>	1.4SE/1.6SE/SX/1.8CDX/2.0D-SX/CDX	e4*2001/116*0069*	KLAN	07.03-12.10	5½Jx14	175/70R14	185/65R14		14171	R1-1621		56,5	114,3	4	44	48	<b>89,00</b>
<b>Orlando</b>	1.8/2.0D	e4*2007/46*0224*, e50*2007/46*0050*	KL1Y/CHIO	03.11-12.14	6½Jx16	215/60R16			16144	R1-1777		70,3	115	5	41	30	<b>89,30</b>
<b>Rezzo/Tacuma</b>	1.6SE/SX/1.8SX/2.0CDX	e4*98/14*0041*, e4*2001/116*0041*	KLAU	06.01-12.08	5½Jx14	185/70R14			14171	R1-1621		56,5	114,3	4	44	48	<b>89,00</b>
<b>Spark</b>	1.0/LS/1.2LS/LT	e4*2007/46*0129*, e50*2007/46*0006*	KL1M/CHIS	03.10-12.14	4½Jx13	155/80R13			13118	R1-1788		56,6	100	4	45	63	<b>57,30</b>
<b>Spark</b>	1.0/LS/1.2LS/LT	e4*2007/46*0129*, e50*2007/46*0006*	KL1M/CHIS	03.10-12.14	4½Jx14	155/70R14	165/65R14		14192	R1-1831		56,5	100	4	43,5	54	<b>69,30</b>
<b>Trax</b>	1.4T-MT/1.6T-MT/1.7TD-MT/AWD	e4*2007/46*0696*	KL1B	05.13-12.14	6½Jx16	195/70R16	205/70R16	215/65R16	16181	R1-1866		56,6	105	5	38	30	<b>81,90</b>
<b>Volt</b>	1.4 Hybrid	e13*2007/46*1158*	D1J1	06.12-12.14	6½Jx16	205/60R16			16144	R1-1777		70,3	115	5	41	30	<b>89,30</b>



R1-933



R1-956



R1-957



R1-1087



R1-1150



R1-1278



R1-1287



R1-1300



R1-1369



R1-1372



R1-1456



R1-1470



R1-1589



R1-1601



R1-1620



R1-1635



R1-1636



R1-1639



R1-1643



R1-1651



R1-1663



R1-1664



R1-1675



R1-1679



R1-1681



R1-1700



R1-1733



R1-1735



R1-1747



R1-1753



R1-1758



R1-1781



R1-1805



R1-1806



R1-1880



R1-1887



R1-1889



R1-1890



R1-1908



R1-1909



R1-1910



R1-1930



R1-1931



immagine  
non  
disponibile

R1-1980

Modello	Motorizzazioni	Omologazione del veicolo	Codice progetto	Anno di produzione	Misura ruota	Misura pneumatico			Disegno MWD	Disegno MW Aftermarket	Oscilla- zioni	Dati tecnici				Pezzi per paletta	Prezzo EUR senza IVA
												Foro centrale	Interasse fori	Fori attacco	Offset		
<b>Berlingo I</b>	Multispace 1.1iX/1.2iX/1.4iX/1.8i/1.9DX/SX/2.0HDi	e2*93/81*0057*, -/58*, -/59*, -/132*, -/181*, e2*98/14*0057*, -/0058*, -/132*, -/181*, -/201*, -/224*, -/225*, -/226*, -/227*	M*KFX/DJY/HDZ/WJ/ LFX/RHY/HFX/KFW/ NFU/WJY	01.97-03.03	5½ J x 14	175/65R14	175/70R14		14073	<b>R1-1278</b>		65	108	4	24	54	<b>79,60</b>
<b>Berlingo I</b>	Multispace 1.6i-16V/2.0HDi	e2*98/14*0201*, -/226*	M*NFU/RHY	01.97-03.03	6 J x 15	185/65R15			15085	<b>R1-1369</b>		65	108	4	18	40	<b>82,10</b>
<b>Berlingo I</b>	Multispace 1.4i/1.6HDi/1.9D/2.0HDi	e2*2001/116*0275*, -/277*, -/278*, -/321*, -/338*	G*KFW/WJY/RHY/9HX/ 9HW	04.03-12.09	5½ J x 14	175/70R14			14073	<b>R1-1278</b>		65	108	4	24	54	<b>79,60</b>
<b>Berlingo I</b>	Multispace 1.6i-16V/1.6HDi/2.0HDi	e2*2001/116*0276*, -/278*, -/321*, -/338*	G*NFU/RHY/9HX/9HW	04.03-12.09	6 J x 15	185/65R15			15085	<b>R1-1369</b>		65	108	4	18	40	<b>82,10</b>
<b>Berlingo II</b>	1.6HDi/1.6-16V/Electrique	e2*2001/116*0366*, e2*2007/46*0002*	7/7/*****	07.08-	6½ J x 15	195/65R15	195/70R15	205/65R15	15213	<b>R1-1735</b>		65	108	4	27	40	<b>86,70</b>
<b>Berlingo II</b>	1.6HDi/1.6-16V	e2*2001/116*0366*, e2*2007/46*0002*	7/7/*****	07.08-	6½ J x 16	215/55R16			16089	<b>R1-1663</b>		65	108	4	26	25	<b>86,10</b>
<b>C-Zero</b>	Airdream nur für Vorderachse	e2*2007/46*0068*	1	01.11-	4 J x 15	145/65R15			15242	<b>R1-1805</b>		56	100	4	35	40	<b>93,20</b>
<b>C-Zero</b>	Airdream nur für Hinterachse	e2*2007/46*0068*	1	01.11-	5 J x 15	175/55R15			15243	<b>R1-1806</b>		56	100	4	35	40	<b>93,20</b>
<b>C1</b>	1.0i-VVT/1.4HDi	fino a e11*2001/116*0238*10	P/P*****	06.05-05.14	4½ J x 14	155/65R14			14163	<b>R1-1601</b>		54	100	4	39	54	<b>66,70</b>
<b>C1</b>	VTi68/VTi82	a partire da e11*2001/116*0238*11	P*****	06.14-	4½ J x 14	165/65R14			14198	<b>R1-1930</b>		54	100	4	35	54	<b>66,70</b>
<b>C1</b>	VTi68/VTi82	a partire da e11*2001/116*0238*11	P*****	06.14-	4½ J x 15	165/60R15			15275	<b>R1-1931</b>		54	100	4	35	40	<b>75,50</b>
<b>C2</b>	1.1i/1.4i/1.4HDi	e2*2001/116*0283*, -/284*, -/286*, -/316*, -/344*	J*HFX/KFV/KFU/8HX/ 8HZ	11.03-12.10	5½ J x 14	165/70R14	175/65R14		14143	<b>R1-1150</b>		65	108	4	24	54	<b>65,00</b>
<b>C2</b>	1.1i/1.4i/1.4HDi/1.6i-16V	e2*2001/116*0283*, -/284*, -/285*, -/286*, -/316*, -/344*	J*8HX/KFV/NFU/8HZ/ KFU/HFX	11.03-12.10	6 J x 15	185/55R15			15101	<b>R1-1372</b>		65	108	4	27	40	<b>75,00</b>
<b>C3</b>	1.1i/1.4i/1.4i-16V/1.4HDi/1.4-Bivalent	e2*98/14*0256*, -/257*, -/259*, e2*2001/116*0289*, -/317*	F*HFX/KFV/8HX /8HZ/ KFU	04.02-11.09	5½ J x 14	165/70R14	175/65R14		14143	<b>R1-1150</b>		65	108	4	24	54	<b>65,00</b>
<b>C3/C3 X-TR</b>	1.4i/1.4i-16V/1.4HDi/1.4-Bivalent/1.6i-16V/1.6HDi	e2*98/14*0257*, -/258*, -/259*, -/261*, e2*2001/116*0289*, -/317*, -/318*, -/329*	F*KFV/NFU/8HX/8HY/ KFU/8HZ/9HX/9HZ/HFX	04.02-11.09	6 J x 15	185/60R15			15101	<b>R1-1372</b>		65	108	4	27	40	<b>75,00</b>
<b>C3 Pluriel</b>	1.4i/1.4HDi/1.6i-16V	e2*2001/116*0266*	H	06.03-12.10	6 J x 15	185/65R15			15101	<b>R1-1372</b>		65	108	4	27	40	<b>75,00</b>
<b>C3</b>	1.1i/1.4HDi/1.4VTi/1.6HDi/1.6VTi	e2*2007/46*0003*	S/S*****	12.09-	6 J x 15	185/65R15			15195	<b>R1-1651</b>		65	108	4	23	40	<b>71,30</b>
<b>C3</b>	1.1i/1.4HDi/1.4VTi/1.6HDi/1.6VTi	e2*2007/46*0003*	S/S*****	12.09-	6 J x 16	195/55R16			16136	<b>R1-1747</b>		65	108	4	23	30	<b>84,30</b>
<b>C3 Picasso</b>	1.4-VTi-95/1.6-HDi-90	e2*2001/116*0371*, e24*2007/46*0029*	SH/SH****/SH8FN	10.08-	6 J x 15	195/60R15			15195	<b>R1-1651</b>		65	108	4	23	40	<b>71,30</b>
<b>C3 Picasso</b>	1.4-VTi-95/1.6-HDi-90/1.6HDi-110/1.6-VTi-120	e2*2001/116*0371*, e24*2007/46*0029*	SH/SH****/SH8FN	10.08-	6 J x 16	195/55R16			16136	<b>R1-1747</b>		65	108	4	23	30	<b>84,30</b>
<b>C3 II</b>	1.1i/1.4HDi/1.4VTi/1.6HDi/1.6VTi	e2*2007/46*0003*	S/S*****	12.09-	6 J x 16	195/55R16			16152	<b>R1-1781</b>		65	108	4	23	30	<b>83,80</b>
<b>C4/C4-Coupé</b>	1.4i-16V/1.6i-16V/1.6HDi/2.0i-16V/Coupé 1.4i-16V/ 1.6i-16V/1.6HDi	e2*2001/116*0302*	L/L*****	11.04-10.10	6 J x 15	195/65R15			15101	<b>R1-1372</b>		65	108	4	27	40	<b>75,00</b>
<b>C4/C4-Coupé</b>	1.4i-16V/1.6i-16V/1.6HDi/2.0i-16V/2.0HDi	e2*2001/116*0302*	L/L*****	11.04-10.10	6½ J x 16	205/55R16	215/55R16		16075	<b>R1-1589</b>		65	108	4	26	30	<b>87,80</b>
<b>C4</b>	HDi 90 / 110 1.6D / VTi 120 1.6i Alcune versioni montano solo 17"	e2*2007/46*0040*, e24*2007/46*0027*	N/N*5FL	11.10-	6½ J x 15	195/65R15			15207	<b>R1-1700</b>		65	108	4	27	40	<b>74,40</b>
<b>C4</b>	HDi 90 / 110 1.6D / HDi 110 1.6D / HDi 150 2.0D / Vti 95 1.4i / VTi 120 1.6i / THP 150 1.6i Alcune versioni montano solo 17"	e2*2007/46*0040*, e24*2007/46*0027*	N/N*5FL	11.10-	7 J x 16	205/55R16			16137	<b>R1-1758</b>		65	108	4	32	30	<b>87,20</b>



Modello	Motorizzazioni	Omologazione del veicolo	Codice progetto	Anno di produzione	Misura ruota	Misura pneumatico			Disegno MWD	Disegno MW Aftermarket	Oscilla-zioni	Dati tecnici				Pezzi per paletta	Prezzo EUR senza IVA
												Foro centrale	Interasse fori	Fori attacco	Offset		
<b>C4 Aircross</b>	1.6/1.6Hdi/1.8Hdi/2WD/4WD	e2*2007/6*0117*	B	05.12-	6½ J x 16	215/70R16			16141	<b>R1-1880</b>		67	114,3	5	38	30	<b>90,90</b>
<b>C4 Cactus</b>	VTi75/VTi82/HDi92/HDi100	e2*2007/46*0440*	0	09.14-	6½ J x 15	195/65R15			15261	<b>R1-1889</b>		65	108	4	20	40	<b>71,90</b>
<b>C4 Cactus</b>	VTi75/VTi82/HDi92/HDi100/THP110	e2*2007/46*0440*	0	09.14-	6½ J x 16	205/55R16			16189	<b>R1-1890</b>		65	108	4	20	30	<b>77,10</b>
<b>C4 Picasso/Grand Picasso</b>	1.6Hdi/1.6i-16V/1.8-16V/2.0-16V/2.0Hdi	e2*2001/116*0345*	U*****	10.06-06.13	6½ J x 16	215/55R16			16089	<b>R1-1663</b>		65	108	4	26	25	<b>86,10</b>
<b>C4 Picasso</b>	1.6Hdi 110FAP/1.8-16V	e2*2001/116*0345*	U*****	10.06-06.13	6½ J x 15	205/65R15			15197	<b>R1-1639</b>		65	108	4	27	40	<b>77,90</b>
<b>C4 Picasso/Grand Picasso</b>	1.6D-HDi90/1.6D-HDi115/1.6-VTi120/1.6-THP155/1.6-THP165	e2*2007/46*0356*	3	07.13-	6½ J x 16	205/60R16			16190	<b>R1-1887</b>		65	108	5	47	30	<b>74,80</b>
<b>C5 Limousine</b>	1.8i-16V/2.0i-16V/2.0Hdi/2.0HPi/2.2Hdi	e2*98/14*0215*, -/216*, -/217*, -/219*, -/220*, -/221*, -/249*	D*6FZ/RFN/RHZ/RLZ/RHY/RHS/4HX	04.01-10.04	6 J x 15	195/65R15			15180	<b>R1-1087</b>		65	108	4	18	40	<b>84,30</b>
<b>C5 Break</b>	1.8i-16V/2.0i-16V/2.0Hdi/2.0HPi/2.2Hdi	e2*98/14*0215*, -/216*, -/217*, -/219*, -/220*, -/221*, -/249*	D*6FZ/RFN/RHZ/RLZ/RHY/RHS/4HX	04.01-10.04	6 J x 15	195/65R15	205/65R15		15180	<b>R1-1087</b>		65	108	4	18	40	<b>84,30</b>
<b>C5/C5 Break</b>	1.6Hdi/1.8i-16V/2.0i-16V/2.0Hdi/2.2Hdi/3.0-V6	e2*2001/116*0303* fino a -/0308*, -/315*, -/334*, -/335*, -/347*, -/348*, -/353*, -/354*	R*6FZ/RFJ/9HZ/RHL/RHR/4HX/XFU/6FY/9HY/4HT/4HP/4HR/4HS	11.04-04.08	6½ J x 16	215/55R16			16075	<b>R1-1589</b>		65	108	4	26	30	<b>87,80</b>
<b>C5/C5 Tourer</b>	1.6-16V/1.6Hdi/1.8-16V/2.0-16V/2.0Hdi	e2*2001/116*0360*	R*****	05.08-	7 J x 16	215/60R16	225/60R16		16121	<b>R1-1733</b>		65	108	5	32	30	<b>88,60</b>
<b>C6</b>	2.2Hdi-170Biturbo FAP/2.7Hdi-205 Biturbo FAP/3.0i-V6	e2*2001/116*0320*	T	01.06-	7 J x 17	225/55R17			17005	<b>R1-1620</b>		65	108	5	32	25	<b>113,00</b>
<b>C8</b>	2.0Hdi/2.0i-16V/2.2Hdi/2.2i-16V ammessa solo su vetture che montano la ruota acciaio di serie	e2*98/14*0254*	E/E*****	09.02-	6½ J x 15	205/65R15	215/65R15		15152	<b>R1-1456</b>		58	98	5	27	40	<b>88,30</b>
<b>C8</b>	2.0i-16V/2.2i-16V/3.0i-V6	e2*98/14*0254*	E	06.04-	7 J x 16	215/60R16			16050	<b>R1-1470</b>		58	98	5	27	30	<b>103,40</b>
<b>C-Crosser</b>	2.2Hdi/2.4i	e2*2001/116*0358*	V/V*****	07.07-	6½ JJ x 16	215/70R16			16132	<b>R1-1753</b>		67	114,3	5	38	30	<b>104,80</b>
<b>C-Elysee</b>	1.2VTi/1.6Hdi/1.6VTi	e2*2007/46*0225*	D	12.12-	6 J x 15	185/65R15			15195	<b>R1-1651</b>		65	108	4	23	40	<b>71,30</b>
<b>DS3</b>	1.4Hdi/1.4VTi/1.6VTi/1.6Hdi	e2*2007/46*0003*	S/S*****	03.10-	6 J x 15	185/65R15			15195	<b>R1-1651</b>		65	108	4	23	40	<b>71,30</b>
<b>DS3/Cabrio</b>	1.4Hdi/1.4VTi/1.6VTi/1.6Hdi	e2*2007/46*0003*, e24*2007/46*0028*	S/S*****/S*8FN	03.10-	6 J x 16	195/55R16			16152	<b>R1-1781</b>		65	108	4	23	30	<b>83,80</b>
<b>DS4</b>	Hdi110(1.6D) e-Hdi (1.6D) Hdi165 (2.0D) VTi120 (1.6) THP 155 (1.6)	e2*2007/46*0040*	N	05.11-	6½ J x 15	195/65R15			15207	<b>R1-1700</b>		65	108	4	27	40	<b>74,40</b>
<b>DS4</b>	Hdi110(1.6D) e-Hdi (1.6D) Hdi165 (2.0D) VTi120 (1.6) THP 155 (1.6)	e2*2007/46*0040*	N	05.11-	7 J x 16	215/60R16			16137	<b>R1-1758</b>		65	108	4	32	30	<b>87,20</b>
<b>Jumper II Kombi/Minibus</b>	2.2Hdi-100/120/3.0Hdi-160	e3*2001/116*0234*	Y	07.06-04.14	6 J x 15	215/70R15	225/70R15		15200	<b>R1-1635</b>		71,1	118	5	68	40	<b>97,90</b>
<b>Jumper II Kombi/Minibus</b>	2.0Hdi-120/3.0Hdi-160	e3*2001/116*0234*	Y	07.06-04.14	6 J x 16	215/75R16	225/75R16		16094	<b>R1-1636</b>		78,1	130	5	68	30	<b>113,80</b>
<b>Jumper Kombi</b>	1.9TD/2.0/2.5D/2.5TD/2.8Hdi/4x4	G712, G713, G714, G831, e3*96/27*0027*	23/230/230L/230D/230P	03.94-03.02	6 J x 15	195/70R15	205/70R15	215/65R15	15063	<b>R1-957</b>		71,1	118	5	68	40	<b>97,20</b>
<b>Jumper Kombi</b>	2.0Hdi 29C/2.2Hdi 29C/33M/33MH/2.8Hdi 33M/33MH/4x4	e3*98/14*0104*	Z	04.02-06.06	6 J x 15	195/70R15	205/70R15		15063	<b>R1-957</b>		71,1	118	5	68	40	<b>97,20</b>

<b>Jumpy II Kombi</b>	Hdi-90/Hdi-120/Hdi-135/Hdi-160/2.0i-16V/L1/L2	e2*2001/116*0350*, e2*2007*0045"	X/X*****	02.07-05.16	7 J x 16	215/60R16			16098	<b>R1-1675</b>		65	108	5	42	30	<b>92,50</b>
<b>Jumpy III Kombi/ Space Tourer/ Dispach</b>		e2*2007/46*0530*, -0531*	V	06.16-	7 J x 16	215/65R16			16237	<b>R1-1980</b>	N	65	108	5	46	30	<b>78,90</b>
<b>Nemo Kombi</b>	1.3Hdi-75/1.4i/1.4Hdi	e3*2001/116*0273*, e3*2007/46*0013*	A	03.08-	6 J x 15	185/65R15			15211	<b>R1-1681</b>		58	98	4	44	40	<b>75,70</b>
<b>Saxo</b>	1.1i-X/SX/1.4i-SX/1.5DX/SX	e2*93/81*0030*, -/33*, -/34*, -/37* fino a -/40*, -/42*, -/44*, -/46*, -/194*, e2*98/14*0030*, fino a -/34*, -/37*, -/38*, - /194*, -/207*, -/208*	S	04.96-10.03	5,00B x 13	155/70R13	165/70R13		13023	<b>R1-933</b>		65	108	4	20	54	<b>69,70</b>
<b>Xsara Picasso</b>	1.6i-16V/1.8i-16V/2.0i-16V/2.0Hdi	e2*98/14*0153*	C*****	02.00-09.06	6 J x 15	185/65R15			15085	<b>R1-1369</b>		65	108	4	18	40	<b>82,10</b>
<b>Xsara/Xsara Break</b>	1.4i/1.6i/1.8i/1.8i-16V/1.9TD/2.0i/Coupé 1.4i/1.6i/ 1.8i-16V/1.9TD	e2*93/81*0104* fino a -/109*, -/111* fino a -/115*, -/175*, -/189*, e2*98/14*0104* fino a -/109*, -/111*, -/115*, -/175*, -/189*	N	09.97-09.00	5½J x 14	175/65R14	185/65R14		14066	<b>R1-1287</b>		65	108	4	24	48	<b>79,40</b>
<b>Xsara/Xsara Break</b>	1.4i/1.4D/1.6i/1.8i-16V/1.9D/2.0i/2.0Hdi/Coupé 1.4i/ 1.6i-16V/2.0i-16V/2.0Hdi	e2*98/14*0115*, -/128* -/189*, -/232* -/233*, -/234*, -/236*, -/108*, -/109*, -/110*, e2*2001/116*0268*	N	10.00-10.04	6 J x 15	195/55R15			15180	<b>R1-1087</b>		65	108	4	18	40	<b>84,30</b>
<b>ZX/ZX Break</b>	1.4i-X/1.9DX/Tonic	F834, e2*93/81*0074*, -/75*, -/82*	N2	03.91-04.98	5,00B x 13	165/70R13			13083	<b>R1-1300</b>		65	108	4	28	63	<b>68,70</b>

# Citroën veicoli commerciali

Modello	Motorizzazioni	Omologazione del veicolo	Codice progetto	Anno di produzione	Misura ruota	Misura pneumatico			Disegno MWD	Disegno MW Aftermarket	Osservazioni	Dati tecnici				Pezzi per paletta	Prezzo EUR senza IVA
												Foro centrale	Interasse fori	Fori attacco	Offset		
<b>Berlingo I</b>	600 1.1i/1.4i/1.8D/1.9D/2.0HDI/800 1.4i/1.9D	H419	M4	09.96-03.03	5½ J x 14	165/70R14	175/65R14		14073	<b>R1-1278</b>		65	108	4	24	54	<b>79,60</b>
<b>Berlingo I</b>	600 Niveau 1.1i/1.4i/1.9D/800 Niveau 1.4i/1.9D/2.0HDI	L080, L159, L161	M59/M59GN/M59GL	04.03-06.08	5½ J x 14	175/65R14			14073	<b>R1-1278</b>		65	108	4	24	54	<b>79,60</b>
<b>Berlingo II</b>	1.6HDI/1.6-16V	N129	B9	07.08-	6½ J x 15	195/65R15	195/70R15		15213	<b>R1-1735</b>		65	108	4	27	40	<b>86,70</b>
<b>Jumper</b>	1.9D/1.9TD/2.0i/2.5D/2.5TD/2.8HDI	G712, G713, G714, G831, e3*96/27*0027*	23/230/230D/230L/230P	03.94-03.02	6 J x 15	195/70R15	205/70R15	215/70R15	15063	<b>R1-957</b>		71,1	118	5	68	40	<b>97,20</b>
<b>Jumper</b>	2.0i/2.5D/2.5TD/2.8HDI/4x4	G712, G713, G831	230/230D/230L	03.94-03.02	6 J x 16	205/75R16	215/75R16		16013	<b>R1-956</b>		78,1	130	5	68	30	<b>113,60</b>
<b>Jumper</b>	2.0i/2.0HDI/2.2HDI/2.8HDI/2.0Bipower	K907, K908, K909, L114	Z/244/244D/244L/244M	04.02-05.06	6 J x 15	195/70R15	205/70R15		15063	<b>R1-957</b>		71,1	118	5	68	40	<b>97,20</b>
<b>Jumper</b>	2.0i/2.0HDI/2.2HDI/2,8HDI/2,0Bipower	K907, K908, K909, L114, L306	244,244D,244L/244M	04.02-05.06	6 J x 16	205/75R16	215/75R16		16013	<b>R1-956</b>		78,1	130	5	68	30	<b>113,60</b>
<b>Jumper II</b>	2.2HDI-100/110/120/130/150/3.0HDI-160/180	L773, L774, L939, fino a e3*2007/46*0046*06	250/250D/250L/Y	06.06-03.14	6 J x 15	205/70R15	215/70R15	225/70R15	15200	<b>R1-1635</b>		71,1	118	5	68	40	<b>97,90</b>
<b>Jumper II</b>	2.2HDI-120/3.0HDI-160	L773, L774, L939, fino a e3*2007/46*0046*06	250/250D/250L/Y	06.06-03.14	6 J x 16	215/75R16	225/70R16		16094	<b>R1-1636</b>		78,1	130	5	68	30	<b>113,80</b>
<b>Jumper II (Facelift)</b>	HDI110/130/150/180	a partire da e3*2001/116*0234*12, a partire da e3*2007/46*0046*10, a partire da e2*2007/46*0252*03, a partire da e2*2007/46*0254*04	Y/YB/YC	04.14-	6 J x 15	215/70R15	225/70R15		15273	<b>R1-1908</b>		71,1	118	5	68	40	<b>92,50</b>
<b>Jumper II (Facelift)</b>	2.2HDI 110/130/150 3.0HDI 175 Ruota nera - portata max. kg 1.100	e3*2007/46*0046*, e3*2001/116*0234*	Y	04.14-	6 J x 16	215/75R16	225/75R16		16208	<b>R1-1909</b>		71,1	118	5	68	30	<b>113,80</b>
<b>Jumper II (Facelift)</b>	HDI130/150/180	a partire da e3*2001/116*0234*12, a partire da e2*2007/46*0256*04, a partire da e3*2007/46*0046*10, a partire da e2*2007/46*0051*08	Y/YD	04.14-	6 J x 16	215/75R16	225/75R16		16209	<b>R1-1910</b>		78,1	130	5	68	30	<b>113,80</b>
<b>Jumpy (Facelift)</b>	2.0HDI	H173	U64	01.04-01.07	6½ J x 15	195/65R15	205/65R15		15198	<b>R1-1643</b>		58	98	5	31	40	<b>86,20</b>
<b>Jumpy II Kasten</b>	HDI-90/HDI-120/L1H1/L2H1	L863	G9	02.07-	6½ J x 15	215/65R15			15201	<b>R1-1664</b>		65	108	5	38	40	<b>86,10</b>
<b>Jumpy II Kasten</b>	Hdi-90/Hdi-120/Hdi-135-FAP/2.0i-16V/L1H1/L2H1/L2H2	L863	G9	02.07-	7 J x 16	215/60R16			16098	<b>R1-1675</b>		65	108	5	42	30	<b>92,50</b>
<b>Nemo</b>	1.3HDI-75/1.4i/1.4HDI Ruota grigia	N130, e3*2007/46*0013*	225L/A	03.08-	5½ J x 14	175/70R14			14179	<b>R1-1679</b>		58	98	4	44	54	<b>57,90</b>
<b>Nemo</b>	1.3HDI-75/1.4i/1.4HDI Ruota grigia	N130, e3*2007/46*0013*	225L/A	03.08-	6 J x 15	185/65R15			15211	<b>R1-1681</b>		58	98	4	44	40	<b>75,70</b>



R1-1633



R1-1684



R1-1724



R1-1779



R1-1844



R1-1845



R1-1873

Modello	Motorizzazioni	Omologazione del veicolo	Codice progetto	Anno di produzione	Misura ruota	Misura pneumatico		Disegno MWD	Disegno MW Aftermarket	Osservazioni	Dati tecnici				Pezzi per paletta	Prezzo EUR senza IVA
						Foro centrale	Interasse fori				Fori attacco	Offset				
<b>Dokker/Express/Stepway</b>	1.2Tce115/1.6MPI/1.5dCi75/1.5dCi90 Alcune versioni di 84kW montano solo 6Jx15 off-set50	e2*2001/116*0314*, e2*2007/46*0030*	SD	01.13-	6 J x 15	185/65R15		15249	<b>R1-1845</b>		60	100	4	40	40	<b>84,20</b>
<b>Dokker/Express</b>	1.2Tce115 Alcune versioni di 84kW montano solo 6Jx15 off-set40	e2*2007/46*0030*	SD	01.13-	6 J x 15	185/65R15		15205	<b>R1-1684</b>		60	100	4	50	40	<b>83,70</b>
<b>Duster</b>	1.2-16V 4x4/1.5dCi-85/1.5dCi-110/1.6-16V/4x2/ 1.5dCi-100/1.6-16V/4x4	e2*2001/116*0314*, e2*2007/46*0030*	SD	04.10-	6½ J x 16	215/65R16		16145	<b>R1-1779</b>		66	114,3	5	50	30	<b>87,90</b>
<b>Lodgy</b>	1.2Tce/1.5dCi/1.6MPI	e2*2001/116*0314*, e2*2007/46*0030*	SD	04.12-	5½ J x 14	185/70R14		14193	<b>R1-1844</b>		60	100	4	40	54	<b>68,50</b>
<b>Lodgy</b>	1.2Tce/1.5dCi/1.6MPI	e2*2001/116*0314*	SD	04.12-	6 J x 15	185/65R15		15249	<b>R1-1845</b>		60	100	4	40	40	<b>84,20</b>
<b>Logan/MCV/Sandero</b>	1.2-16V/1.4MPI/1.4MPI-LPG/1.5dCi/1.6MPI	fino a e2*2001/116*0314*57, -/323*, fino a e2*2007/46*0030*19	SD/SR	01.06-12.12	5½ J x 14	165/80R14	185/70R14	14173	<b>R1-1633</b>		60	100	4	43	48	<b>63,40</b>
<b>Logan/MCV/Sandero/Stepway</b>	1.2-16V/1.4MPI/1.4MPI-LPG/1.5dCi/1.6MPI/Stepway 1.5dCi/1.6MPI/Stepway 1.ddCi/1.6MPI	fino a e2*2001/116*0314*57, -/323*, fino a e2*2007/46*0030*19	SD/SR	07.05-12.12	6 J x 15	185/65R15		15221	<b>R1-1724</b>		60	100	4	43	40	<b>83,50</b>
<b>Logan/MCV/Sandero</b>	1.2-16V/1.4MPI/1.4MPI-LPG/1.5dCi/1.6MPI	fino a e2*2001/116*0314*57, -/323*, fino a e2*2007/46*0030*19	SD/SR	07.05-12.12	6 J x 15	185/65R15		15205	<b>R1-1684</b>		60	100	4	50	40	<b>83,70</b>
<b>Logan Express/Pick Up</b>	1.4MPI/1.5dCi/1.6MPI	N386	FSD/USD	01.09-12.12	6 J x 15	185/65R15		15205	<b>R1-1684</b>		60	100	4	50	40	<b>83,70</b>
<b>Logan Break</b>	1.4i/1.6MPI/1.6-16V/1.5dCi	e2*2001/116*0314*	SD	01.07-03.13	6 J x 15	185/65R15		15205	<b>R1-1684</b>		60	100	4	50	40	<b>83,70</b>
<b>Logan II/MCV II/Sandero II</b>	0.9-Tce/1.2-16V/1.5D-dCi/5/dCi90	a partire da e2*2001/116*0314*58 (*64), a partire da e2*2007/46*0030*20	SD	01.13-	6 J x 15	185/65R15		15258	<b>R1-1873</b>		60	100	4	40	40	<b>70,20</b>
<b>Sandero Stepway</b>	1.5dCi/1.6MPI	a partire da e2*2001/116*0314*29 fino a *44	SD	06.09-12.12	6 J x 15	185/65R15		15205	<b>R1-1684</b>		60	100	4	50	40	<b>83,70</b>



# Daihatsu



R1-1757

Modello	Motorizzazioni	Omologazione del veicolo	Codice progetto	Anno di produzione	Misura ruota	Misura pneumatico			Disegno MWD	Disegno MW Aftermarket	Osser- vazioni	Dati tecnici				Pezzi per paletta	Prezzo EUR senza IVA
												Foro centrale	Interasse fori	Fori attacco	Offset		
<b>Materia</b>	1.3i/1.5i/1.5Eco 4WD	e13*2001/116*0198*	M4	02.07-02.11	5 J x 14	175/65R14			14184	<b>R1-1757</b>		54	100	4	40	54	<b>97,80</b>
<b>Sirion II</b>	1.0/1.3/1.3S/1.3-4WD/1.3-ECO-4WD/1.5S	e13*2001/116*0147*, e13*2003/97*0147*	M3	01.05-01.13	5 J x 14	175/65R14			14184	<b>R1-1757</b>		54	100	4	40	54	<b>97,80</b>



R1-1830

Modello	Motorizzazioni	Omologazione del veicolo	Codice progetto	Anno di produzione	Misura ruota	Misura pneumatico			Disegno MWD	Disegno MW Aftermarket	Osser- vazioni	Dati tecnici				Pezzi per paletta	Prezzo EUR senza IVA
												Foro centrale	Interasse fori	Fori attacco	Offset		
Journey	2.0D/2.4/2.7	e11*2001/116*0145*	JC	01.08-	6½ J x 16	225/65R16			16170	R1-1830		71,5	127	5	40	30	89,50

# Fiat



R1-956



R1-957



R1-970



R1-1004



R1-1118



R1-1121



R1-1128



R1-1134



R1-1159



R1-1234



R1-1280



R1-1456



R1-1470



R1-1471



R1-1475



R1-1483



R1-1593



R1-1626



R1-1628



R1-1635



R1-1636



R1-1638



R1-1643



R1-1664



R1-1665



R1-1675



R1-1677



R1-1679



R1-1681



R1-1689



R1-1706



R1-1715



R1-1741



R1-1743



R1-1786



R1-1803



R1-1826



R1-1830



R1-1835



R1-1907



R1-1908



R1-1909



R1-1910



R1-1918



R1-1941





R1-1963

R1-1964

Modello	Motorizzazioni	Omologazione del veicolo	Codice progetto	Anno di produzione	Misura ruota	Misura pneumatico			Disegno MWD	Disegno MW Aftermarket	Osservazioni	Dati tecnici				Pezzi per paletta	Prezzo EUR senza IVA
												Foro centrale	Interasse fori	Fori attacco	Offset		
500 Epoca		1837, 2555, 2631, 4771	110/500, N500, 500K, 500	11.15-	3,50 B x 12	125R12			12010	R1-386	N	150	190	4	29	63	info
500/500C	0.9/1.2-8V/1.3D-Multijet-16V/1.4-16V	e3*2001/116*0261*, e3*2007/46*0064*	312	07.07-	5½ J x 14	165/65R14	175/65R14		14176	R1-1689		58	98	4	35	54	57,10
500/500C	1.4-16V	fino a e3*2001/116*0261*09, e3*2007/46*0064*	312	07.07-	6 J x 15	185/55R15			15159	R1-1475		58	98	4	40	40	75,60
500L	0.9TwinAir/1.3-16V Multijet/ 1.4-16V Alcune versioni montano solo 16"	e3*2001/116*0217*	199	10.12-	6 J x 15	195/65R15			15233	R1-1743		58	98	5	39	40	76,40
500L/Living/Trekking	0.9TwinAir/1.3-16V Multijet/1.6-16V Mutijet	e3*2001/116*0217*	199	10.12-	6 J x 16	195/60R16	205/55R16		16172	R1-1835		58	98	5	36,5	30	85,00
500L/Living/Trekking	0.9TwinAir/1.3-16V Multijet/ 1.4-16V/1.6-16V Mutijet Solo 88kW	e3*2001/116*0217*	199	10.12-	6 J x 16	205/55R16			16204	R1-1907		58	98	5	36,5	30	85,00
500X	City-Look/1.4MultiAir/1.6E-tor-Q/1.6Multijet/4x2/ Off-Road-Look/2.0Multijet/4x4	e3*2007/46*0318*	334	01.15-	6½ J x 16	215/60R16			16213	R1-1918		65	110	5	40	30	85,00
Bravo	1.4-16V/1.4T-JET-16V/1.9D-Multijet-8V/ 1.9D-Multijet-16V/2.0D-Multijet-16V	e3*2001/116*0248*, e3*2001/116*0288"	198	04.07-07.14	6 J x 15	195/65R15			15039	R1-1118		58	98	4	31,5	40	83,10
Bravo	1.4-16V/1.4T-JET-16V/1.9D-Multijet-8V/ 1.9D-Multijet-16V/2.0D-Multijet-16V	e3*2001/116*0248*, e3*2001/116*0288"	198	04.07-07.14	7 J x 16	205/55R16			16109	R1-1677		58	98	4	31	30	97,40
Cinquecento	0.9i/1.1i (silver - silver)	G108, e3*96/27*0023*	170	05.95-03.98	4,50 B x 13	145/70R13	155/65R13		13099	R1-1004		58	98	4	36,5	63	53,90
Croma	1.8-16V/1.9D-Multijet-8V/1.9D-Multijet-16V/2.2-16V/ 2.4D-Multijet-20V	e3*2001/116*0210*	194	08.05-11.07	6½ J x 16	205/55R16	215/55R16		16045	R1-1483		65	110	5	41	30	89,30
Croma (Facelift)	1.8-16V/1.9D-Multijet-8V/1.9D-Multijet-16V/2.2-16V/ 2.4D-Multijet-20V	e3*2001/116*0210*	194	12.07-	6½ J x 16	205/55R16	215/55R16		16123	R1-1715		65	110	5	36	30	88,40
Doblò	1.3D-Multijet-16V/1.4-8V/1.9D-Multijet-8V	e3*98/14*0071*	223	10.05-01.10	5½ J x 14	175/70R14			14169	R1-1628		58	98	4	32	54	61,90
Doblò	1.3D-Multijet-16V/1.4-8V/1.9D-Multijet-8V	e3*98/14*0071*	223	10.05-01.10	5½ J x 15	185/65R15			15078	R1-1626		58	98	4	32	48	76,10
Doblò	1.3-16V-Multijet/1.4-16V/1.6-16V-Multijet/ 2.0-16V-Multijet	e3*2007/46*0002", -/07*	263	01.10-	6 J x 16	195/60R16			16154	R1-1786		58	98	5	36,5	30	89,00
Doblò Light	1.3/1.4/1.6D/2.0D Ruota grigia - Portata kg 1.150	e3*2007/46*0002*	263	01.10-	6 J x 15	185/65R15			15233	R1-1743		58	98	5	39	40	76,40
Doblò Heavy	1.3/1.4/1.6D/2.0D Ruota nera	e3*2007/46*0002*	263	01.10-	6 J x 15	185/65R15			15232	R1-1741		58	98	5	39	40	76,30
Ducato Kombi/Bus	2.0i/2.0JTD/2.3JTD/2.8JTD2.0Bipower	e3*98/14*0102*	244	03.02-05.06	6 J x 15	195/70R15	205/70R15		15063	R1-957		71,1	118	5	68	40	97,20

Modello	Motorizzazioni	Omologazione del veicolo	Codice progetto	Anno di produzione	Misura ruota	Misura pneumatico			Disegno MWD	Disegno MW Aftermarket	Oscilla-zioni	Dati tecnici				Pezzi per paletta	Prezzo EUR senza IVA
												Foro centrale	Interasse fori	Fori attacco	Offset		
<b>Ducato Kombi/Bus</b>	2.0i/2.0JTD/2.3JTD/2.8JTD2.0Bipower	e3*98/14*0102*	244	03.02-05.06	6 J x 16	205/75R16	215/75R16		16013	<b>R1-956</b>		78,1	130	5	68	30	<b>113,60</b>
<b>Ducato II Kombi/Bus</b>	100 Multijet 2,2D (74kW) / 120 Multijet 2,3D (88kW) / 160 Multijet Power 3,0D (116kW)	e3*2001/116*0232*, e3*2007/46*0044*	250	06.06-03.14	6 J x 15	205/70R15	215/70R15	225/70R15	15200	<b>R1-1635</b>		71,1	118	5	68	40	<b>97,90</b>
<b>Ducato II Kombi/Bus</b>	120 Multijet 2,3D (88kW) / 160 Multijet Power 3.0D (116kW) / 3.0 Natural Power (100kW)	e3*2001/116*0232*, e3*2007/46*0044*	250	06.06-03.14	6 J x 16	215/75R16	225/75R16		16094	<b>R1-1636</b>		78,1	130	5	68	30	<b>113,80</b>
<b>Ducato</b>	100/115/120/130/150 Multijet / 160/175/180 Multijet Power	e3*2001/116*0232*, e3*2007/46*0044*, L778	250	04.14-	6 J x 16	215/75R16	225/75R16		16208	<b>R1-1909</b>		71,1	118	5	68	30	<b>113,80</b>
<b>Ducato</b>	120/130/150 Multijet / 145/160/175/180 Multijet Power	e3*2001/116*0232*, e3*2007/46*0044*, e3*2007/46*0049*, L778	250	04.14-	6 J x 16	215/75R16	225/75R16		16209	<b>R1-1910</b>		78,1	130	5	68	30	<b>113,80</b>
<b>Freemont</b>	2.0-16V Multijet/3.6 Multijet	e11*2001/116*0145*	JC	09.11-	6½ J x 16	225/65R16			16170	<b>R1-1830</b>		71,5	127	5	40	30	<b>89,50</b>
<b>Grande Punto/Punto EVO</b>	1.2-8V/1.3D-Multijet-16V/1.4-8V/1.4-Starjet-16V/1.4-16V-Multiair/1.4-8V-Natural Power/1.6-16V-Multijet/1.9D-Multijet-8V	e3*2001/116*0217*, -/286*	199	09.05-	6 J x 15	175/65R15	185/65R15		15185	<b>R1-1593</b>		56,5	100	4	43	40	<b>76,30</b>
<b>Idea</b>	1.2-16V/1.3D-Multijet-16V/1.4-8V/1.4-16V	e3*2001/116*0153*	350	01.04-12.07	6 J x 14	185/65R14			14172	<b>R1-1638</b>		58	98	4	40	54	<b>64,90</b>
<b>Idea</b>	1.2-16V/1.3D-Multijet-16V/1.4-8V/1.4-16V/1.6D-Multijet-16V/1.9D-Multijet-8V	e3*2001/116*0153*	350	01.04-12.07	6 J x 15	195/60R15			15159	<b>R1-1475</b>		58	98	4	40	40	<b>75,60</b>
<b>Linea</b>	1.3D-Multijet/1.4-8V/1.4T-Jet-16V/1.6D-Multijet (silver)	e3*2001/116*0260*	323	07.07-10.10	6 J x 15	185/65R15	195/60R15		15211	<b>R1-1681</b>		58	98	4	44	40	<b>75,70</b>
<b>Multipia</b>	1.6-16V/1.6 Natural-Power/1.9D-Multijet-8V	e3*96/79*0042*, e3*98/14*D050*, e3*98/14*0042*, e3*98/14D0090*	186	01.99-12.07	6 J x 15	185/65R15			15039	<b>R1-1118</b>		58	98	4	31,5	40	<b>83,10</b>
<b>Panda/Classic</b>	1.1-8V/1.2-8V/1.2-8V-Natural Power/1.3D-Multijet-16V Ruota grigia	e3*2001/116*0151*, e3*2001/116*0287*	169	09.03-02.12	5,00 B x 13	155/80R13			13115	<b>R1-1471</b>		58	98	4	35	54	<b>56,40</b>
<b>Panda/Classic</b>	1.1-8V/1.2-8V/1.2-8V-Natural Power/1.3D-Multijet-16V Ruota nera - foro valvola spostato	e3*2001/116*0151*, e3*2001/116*0287*	169	09.03-02.12	5,00 B x 13	155/80R13			13120	<b>R1-1803</b>		58	98	4	35	54	<b>56,40</b>
<b>Panda/Classic</b>	1.1-8V/1.2-8V/1.2-8V-Natural Power/1.3D-Multijet-16V	e3*2001/116*0151*, e3*2001/116*0287*	169	09.03-02.12	5,00 B x 13	155/80R13			13109	<b>R1-1128</b>		58	98	4	35	54	<b>61,90</b>
<b>Panda/Classic/4x4</b>	4x4/1.2-8V/1.3D-16V-Multijet/Cross/Climbing / 4x2/1.4-16V	e3*2001/116*0151*	169	05.05-02.12	5½ J x 14	165/70R14	175/65R14	185/65R14	14119	<b>R1-1121</b>		58	98	4	35	54	<b>58,40</b>
<b>Panda</b>	0.9-8V/1.2-8V/1.3D-16V-Multijet	e3*2007/46*0064*	312	03.12-	5½ J x 14	165/65R14	165/70R14	175/65R14	14176	<b>R1-1689</b>		58	98	4	35	54	<b>57,10</b>
<b>Panda/4x4</b>	0.9/1.3D-16V-Multijet	e3*2007/46*0064*	312	10.12-	6 J x 15	175/65R15			15247	<b>R1-1826</b>		58	98	4	35	48	<b>77,50</b>
<b>Punto/Cabrio</b>	55S/60SX/Cabrio 1.2S	G488, G775, e3*96/27*0022*	176/176C	11.93-10.99	4,50 B x 13	155/70R13			13034	<b>R1-970</b>		58	98	4	35	63	<b>51,00</b>
<b>Punto/Cabrio/Van</b>	55S/TD60S/TD70SX/75SX/85ELX/90ELX/TDS/GT/Van/Cabrio 90ELX/16V	G488, G775, H426, e3*96/27*0022*	176/176C/176L	11.93-10.99	5,00 B x 14	165/60R14	165/65R14	175/60R14	14028	<b>R1-1234</b>		58	98	4	48	54	<b>67,20</b>
<b>Punto</b>	1.2i-60/1.2i-8V	e3*98/14*0048*	188	11.99-08.05	5,00 B x 13	155/80R13			13109	<b>R1-1128</b>		58	98	4	35	54	<b>61,90</b>
<b>Punto</b>	1.2i-60/1.2i-80/1.2i-8V/1.2i-16V/1.3JTD-16V/1.4i-16V/1.9D-60/1.9TD-80/1.9JTD	e3*98/14*0048*	188	11.99-08.05	5½ J x 14	165/70R14	185/60R14		14119	<b>R1-1121</b>		58	98	4	35	54	<b>58,40</b>
<b>Qubo</b>	1.3D-16V-Multijet/1.4-8V/1.4-8V Natural-Power	e3*2001/116*0271*, e3*2007/46*0011*	225	02.08-	6 J x 15	185/65R15			15211	<b>R1-1681</b>		58	98	4	44	40	<b>75,70</b>
<b>Scudo Kombi (Facelift)</b>	1.6i/1.9D/2.0i-16V/2.0JTD-8V/2.0JTD-16V	e2*2001/116*0162*, H261	220/220P	02.04-01.07	6½ J x 15	205/65R15			15198	<b>R1-1643</b>		58	98	5	31	40	<b>86,20</b>

<b>Scudo II Kombi</b>	90-Multijet (1.6D)/120-Multijet (2.0D)/140-Multijet (2.0D)/L1H1/L2H1	e2*2001/116*0351*, e2*2007/46*0056*	270	02.07-	7 J x 16	215/60R16			16098	<b>R1-1675</b>		65	108	5	42	30	<b>92,50</b>
<b>Sedici</b>	1.6-16V/1.9D-Multijet-8V/2.0D-16V-Multijet/4x2/4x4	e4*2001/116*0106	FY	05.06-08.14	6 J x 15	195/65R15			15210	<b>R1-1706</b>		60	114,3	5	50	40	<b>78,20</b>
<b>Sedici</b>	1.6-16V/1.9D-Multijet-8V/2.0D-16V-Multijet/4x2/4x4	e4*2001/116*0106	FY	05.06-08.14	6 J x 16	205/60R16			16096	<b>R1-1665</b>		60	114,3	5	50	25	<b>86,30</b>
<b>Seicento</b>	0.9i/1.1i -8V(silber - silver) Ruota grigia	e3*96/79*0036*, e3*98/14*0036*	187	04.98-06.07	5,00 B x 13	145/70R13	155/65R13	155/70R13	13072	<b>R1-1280</b>		58	98	4	33	54	<b>53,80</b>
<b>Stilo/Stilo Multi Wagon</b>	1.2i-16V1.4-16V/1.6i-16V/1.8i-16V/1.9D-Multijet 8V/1.9D-Multijet 16V	e3*98/14*0089*	192	11.01-05.08	6½ J x 15	195/65R15			15122	<b>R1-1159</b>		58	98	4	43	40	<b>67,20</b>
<b>Tipo MY 2016</b>				06.16-	6 J x 15				15288	<b>R1-1963</b>	N	58	98	5	38	40	<b>65,80</b>
<b>Tipo MY 2016</b>				06.16-	6½ J x 16				16228	<b>R1-1964</b>	N	58	98	5	39	30	<b>79,60</b>
<b>Ulysse</b>	2.0i-16V/2.0JTD/2.0D-Multijet-16V/2.2JTD ammessa solo su vetture che montano la ruota acciaio di serie	e2*98/14*0255*	179	07.02-08.10	6½ J x 15	205/65R15	215/65R15		15152	<b>R1-1456</b>		58	98	5	27	40	<b>88,30</b>
<b>Ulysse</b>	2.2JTD	e2*98/14*0255*	179	06.04-	7 J x 16	215/60R16			16050	<b>R1-1470</b>		58	98	5	27	30	<b>103,40</b>

## Fiat veicoli commerciali

Modello	Motorizzazioni	Omologazione del veicolo	Codice progetto	Anno di produzione	Misura ruota	Misura pneumatico			Disegno MWD	Disegno MW Aftermarket	Osservazioni	Dati tecnici				Pezzi per paletta	Prezzo EUR senza IVA
												Foro centrale	Interasse fori	Fori attacco	Offset		
<b>Doblò Cargo</b>	1.2/1.3JTD/1.3D-Multijet-16V/1.4-8V/1.6-16V/1.6 Natural-Power-16V/1.9D/1.9JTD/Bipower/1.9D-Multijet-8V Ruota grigia	K750	223L	02.01-09.05	5½ J x 14	175/70R14			14157	<b>R1-1134</b>		58	98	4	37	54	<b>62,10</b>
<b>Doblò Cargo</b>	1.2/1.3JTD/1.3D-Multijet-16V/1.4-8V/1.6-16V/1.6 Natural-Power-16V/1.9D/1.9JTD/Bipower/1.9D-Multijet-8V Ruota grigia	K750	223L	10.05-01.10	5½ J x 14	175/70R14	175/75R14		14169	<b>R1-1628</b>		58	98	4	32	54	<b>61,90</b>
<b>Doblò Cargo</b>	1.3JTD-16V Multijet/1.4i-8V/1.9JTD-8V Multijet Ruota grigia	K750	223L	09.05-01.10	5½ J x 15	185/65R15			15078	<b>R1-1626</b>		58	98	4	32	48	<b>76,10</b>
<b>Doblò Cargo</b>	1.3-16V-Multijet / 1.6-16V-Multijet Ruota grigia - Portata kg 1.150	e3*2007/46*0002*, -/07*	263	01.10-	6 J x 15	195/65R15			15233	<b>R1-1743</b>		58	98	5	39	40	<b>76,40</b>
<b>Doblò Cargo</b>	1.3-16V-Multijet / 1.6-16V-Multijet Ruota nera	e3*2007/46*0002*, -/07*	263	01.10-	6 J x 15	185/65R15	195/65R15		15232	<b>R1-1741</b>		58	98	5	39	40	<b>76,30</b>
<b>Doblò Cargo/Maxi</b>	1.3-16V-Multijet/1.4-16V/1.6-16V-Multijet/2.0-16V-Multijet	e3*2007/46*0002*, -/07*	263	01.10-	6 J x 16	195/60R16			16154	<b>R1-1786</b>		58	98	5	36,5	30	<b>89,00</b>
<b>Ducato</b>	10/14/1.9D/2.0i/2.5D/2.5TD/2.0D/2.8JTD/4x4	G687, G688, G715, G830, K861, e3*96/27*0025*	230/230D/230L/230M/230P	03.94-02.02	6 J x 15	195/70R15	205/70R15		15063	<b>R1-957</b>		71,1	118	5	68	40	<b>97,20</b>
<b>Ducato Maxi</b>	14/1.9TD/2.0i/2.0 Bipower/2.5D/2.5TD/2.8D/2.8JTD/4x4	G687, G688, G830, K861	230/230D/230L/230M	03.94-02.02	6 J x 16	205/75R16	215/75R16		16013	<b>R1-956</b>		78,1	130	5	68	30	<b>113,60</b>



# Fiat veicoli commerciali (segue)

Modello	Motorizzazioni	Omologazione del veicolo	Codice progetto	Anno di produzione	Misura ruota	Misura pneumatico			Disegno MWD	Disegno MW Aftermarket	Osservazioni	Dati tecnici				Pezzi per paletta	Prezzo EUR senza IVA
												Foro centrale	Interasse fori	Fori attacco	Offset		
<b>Ducato</b>	1.9D/1.9TD/2.0 Bipower/2.0i/2.3JTD/2.8JTD	K916, K917, K918, L094	244/244D/244L/244M	03.02-05.06	6 J x 15	195/70R15	205/70R15		15063	<b>R1-957</b>		71,1	118	5	68	40	<b>97,20</b>
<b>Ducato</b>	2.0 Bipower/2.0i/2.3JTD/2.8JTD	K916, K917, K918, L094, L051	244/244B/244D/244L/244M	03.02-05.06	6 J x 16	205/75R16	215/75R16		16013	<b>R1-956</b>		78,1	130	5	68	30	<b>113,60</b>
<b>Ducato II</b>	100 Multijet 2,2 D (74kW) / 120 Multijet 2,3 D (88kW) / 160 Multijet Power 3,0 D (116kW) / 3,0 Natural Power	L778, L779, L968, N413	250/250D/250L/250M	06.06-06.12	6 J x 15	205/70R15	215/70R15	225/70R15	15200	<b>R1-1635</b>		71,1	118	5	68	40	<b>97,90</b>
<b>Ducato II/Maxi</b>	120-Multijet(2,3D) / 160-Multijet(3,0D) / Naturalpower (3,0CNG)	L778, L779, L968, N413	250/250D/250L/250M	06.06-06.12	6 J x 16	215/75R16	225/75R16		16094	<b>R1-1636</b>		78,1	130	5	68	30	<b>113,80</b>
<b>Ducato II</b>	115-MJ(2.0D)/130-MJ(2.3D)/150-MJ(2.3D)/180-MJ(3.0D)/140-Natural Power (3.0CNG)	fino a e3*2007/46*0044*08, fino a e3*2007/46*0049*07	250	07.12-03.14	6 J x 15	205/70R15	215/70R15	225/70R15	15200	<b>R1-1635</b>		71,1	118	5	68	40	<b>97,90</b>
<b>Ducato II/Maxi</b>	130-MJ(2.3D)/150-MJ(2.3D)/180-MJ(3.0D)/140-Natural Power (3.0CNG)	fino a e3*2007/46*0044*08, fino a e3*2007/46*0049*07	250	07.12-03.14	6 J x 16	215/75R16	225/75R16		16094	<b>R1-1636</b>		78,1	130	5	68	30	<b>113,80</b>
<b>Ducato II/Maxi (Facelift)</b>	Multijet 110/115/130/150/180 Power Finestre ovali	a partire da e3*2001/116*0232*16, a partire da e3*2007/46*0044*13, a partire da e3*2007/46*0049*10	250	04.14-	6 J x 15	215/75R15	225/75R15		15273	<b>R1-1908</b>		71,1	118	5	68	40	<b>92,50</b>
<b>Ducato MY 2014</b>	Multijet 110/115/130/150/180 Power Finestre tonde	a partire da e3*2001/116*0232*16, a partire da e3*2007/46*0044*13, a partire da e3*2007/46*0049*10	250	04.14-	6 J x 15	215/75R15	225/75R15		15281	<b>R1-1941</b>		71,1	118	5	68	40	<b>92,50</b>
<b>Ducato MY 2014 (Light)</b>	2.0 Multijet/2.3 Multijet/3.0 Multijet Ruota nera - portata massima kg 1.100	e3*2007/46*0044*	250	04.14-	6 J x 16	215/75R16	225/75R16		16208	<b>R1-1909</b>		71,1	118	5	68	30	<b>113,80</b>
<b>Ducato II/Maxi (Facelift)</b>	Multijet 110/115/130/150/180 Power Ruota grigia	a partire da e3*2001/116*0232*16, a partire da e3*2007/46*0044*13, a partire da e3*2007/46*0049*10	250	04.14-	6 J x 16	215/75R16	225/75R16		16209	<b>R1-1910</b>		78,1	130	5	68	30	<b>113,80</b>
<b>Fiorino</b>	1.3D-16V-Multijet/1.4-8V/1.4-8V Naturalpower	N157, e3*2007/46*0011*	225L/225	02.08-	5½ J x 14	175/70R14			14179	<b>R1-1679</b>		58	98	4	44	54	<b>57,90</b>
<b>Fiorino</b>	1.3D-16V-Multijet/1.4-8V/1.4-8V Naturalpower	N157, e3*2007/46*0011*	225L/225	02.08-	6 J x 15	185/65R15			15211	<b>R1-1681</b>		58	98	4	44	40	<b>75,70</b>
<b>Scudo (Facelift)</b>	1.9JTD/2.0JTD/2.0i-16V	H105	220L	02.04-12.06	6½ J x 15	195/65R15	205/65R15		15198	<b>R1-1643</b>		58	98	5	31	40	<b>86,20</b>
<b>Scudo II Kasten</b>	90-Multijet (1.6D)/120-Multijet (2.0D)/140-Multijet (2.0D)/L1H1/L2H1	L862	270L	01.07-	6½ J x 15	215/65R15			15201	<b>R1-1664</b>		65	108	5	38	40	<b>86,10</b>
<b>Scudo II Kasten</b>	90-Multijet (1.6D)/120-Multijet (2.0D)/140-Multijet (2.0D)/L1H1/L2H1	L862	270L	01.07-	7 J x 16	215/60R16			16098	<b>R1-1675</b>		65	108	5	42	30	<b>92,50</b>

# Ford



R1-879



R1-917



R1-921



R1-990



R1-1021



R1-1076



R1-1218



R1-1330



R1-1338



R1-1408



R1-1410



R1-1421



R1-1464



R1-1475



R1-1522



R1-1552



R1-1557



R1-1587



R1-1625



R1-1645



R1-1646



R1-1689



R1-1707



R1-1730



R1-1738



R1-1847



R1-1863



R1-1864



R1-1886



R1-1922



R1-1923



R1-1924



R1-1925



R1-1948



R1-1973



R1-1974



R1-1983

# Ford (segue)

Modello	Motorizzazioni	Omologazione del veicolo	Codice progetto	Anno di produzione	Misura ruota	Misura pneumatico			Disegno MWD	Disegno MW Aftermarket	Osservazioni	Dati tecnici				Pezzi per paletta	Prezzo EUR senza IVA
												Foro centrale	Interasse fori	Fori attacco	Offset		
<b>B-Max</b>	1.0/1.4/1.5TDCi/1.6TDCi/1.6Ti-VCT	e9*2007/46*0092*, e13*2007/46*1380*	JK8/JK8-LPG	07.12-	6 J x 15	185/60R15	195/60R15		15248	<b>R1-1847</b>		63,3	108	4	37,5	40	<b>74,00</b>
<b>B-Max</b>	1.0/1.4/1.4LPG/1.5TDCi/1.6TDCi/1.6Ti-VCT Versione per TPMS	e9*2007/46*0092*, e13*2007/46*1380*	JK8/JK8-LPG	07.12-	6 J x 15	185/60R15	195/60R15		15276	<b>R1-1922</b>		63,3	108	4	37,5	40	<b>74,00</b>
<b>C-Max</b>	1.6/1.6Ti-VCT/1.6-TDCi/1.8/2.0-TDCi	e13*2001/116*0109*	DM2	09.03-10.10	6 J x 15	195/65R15			15163	<b>R1-1522</b>		63,3	108	5	52,5	40	<b>74,00</b>
<b>C-Max</b>	1.6/1.6Ti-VCT/1.6-TDCi/1.8/1.8-TDCi/2.0/2.0-TDCi	e13*2001/116*0109*	DM2	09.03-10.10	6½ J x 16	205/55R16			16036	<b>R1-1557</b>		63,3	108	5	52,5	30	<b>90,90</b>
<b>C-Max</b>	1.6/1.6-TDCi/1.8/1.8-Flexfuel/2.0/2.0-TDCi/2.0-CNG/ 2.0-LPG	e13*2001/116*0109*, e13*2001/116*1000*, -/1018*	DM2/DM2-LPG/DM2-CNG	03.07-10.10	6½ J x 16	205/55R16			16115	<b>R1-1707</b>		63,3	108	5	50	30	<b>88,00</b>
<b>C-Max/Grand C-Max</b>	1.6SCTi/1.6TDCi/1.6LPG/2.0TDCi	e13*2007/46*1103*, -/1288*	DXA/DXA-LPG	11.10-	6½ J x 16	205/55R16	215/55R16		16115	<b>R1-1707</b>		63,3	108	5	50	30	<b>88,00</b>
<b>EcoSport</b>	1.0-EcoBoost/1.5Ti-VCT/1.5-TDCi	e9*2007/46*0092*	JK8	06.14-	6 J x 15	195/65R15			15259	<b>R1-1923</b>		63,3	108	4	37,5	40	<b>74,20</b>
<b>Escort/Orion</b>	1.3i/1.4i/1.6i/1.8i/1.8D/1.8TD	G146, F508, -/1, F509, -/1, F538, e11*93/81*0051* fino a -/55*, F538, E076, E076/1, E040, -/1, E041, -/1, E086, -/1, E087, -/1	AAL/ABL/AFL/ANL/ALL/ ALF/AFF/GAL/GAF	10.90-10.98	5 J x 13	145 R 13	155 R 13	175/70R13	13055	<b>R1-921</b>		63,3	108	4	41	63	<b>70,80</b>
<b>Fiesta III</b>	1.1i/1.3i/1.4i/1.6XR2/1.8D/1.8-16V/1.8XR2	F108, F108/1, F109, F109/1, G007	GFJ	03.89-12.95	4½ J x 13	145 R 13	155/70R13	165/65R13	13066	<b>R1-879</b>		63,3	108	4	37,5	63	<b>59,60</b>
<b>Fiesta III</b>	1.1i/1.3i/1.4i/1.6XR2/1.8D/1.8-16V/1.8XR2	F108, F108/1, F109, F109/1, G007	GFJ	03.89-12.95	5 J x 13	145 R 13	155/70R13	165/65R13	13053	<b>R1-917</b>		63,3	108	4	36	54	<b>63,90</b>
<b>Fiesta IV/Courier Family</b>	1.25i-16V/1.3i/1.8D/Courier Family 1.3i/1.4i/1.8D	H371, e13*95/54*0008*, -/09*, -/13*, e13*93/81*0008*, -/09*, -/13*	JAS/JBS/J3S/J5S	01.96-01.02	5,00 B x 13	155/70R13	165/70R13		13054	<b>R1-1076</b>		63,3	108	4	43,5	54	<b>55,30</b>
<b>Fiesta IV</b>	1.25i-16V/1.3i/1.4-16V/1.6i-16V/1.8D/1.8Di	e13*93/81*0008*, -/09*, e13*93/81*0008*, -/09*	JAS/JBS	03.96-01.02	5½ J x 14	165/65R14	175/65R14	185/55R14	14141	<b>R1-1218</b>		63,3	108	4	43,5	54	<b>81,40</b>
<b>Fiesta V</b>	1.3i-8V/1.4i-16V/1.4-TDCi/1.6i-16V/1.6-TDCi	e1*98/14*0191*, e1*2001/116*0210*	JH1/JD3	02.02-09.08	5½ J x 14	175/65R14			14144	<b>R1-1464</b>		63,3	108	4	47,5	54	<b>62,40</b>
<b>Fiesta V/ST150</b>	1.3i-8V/1.4i-16V/1.4-TDCi/1.6i-16V/1.6-TDCi/ST150	e1*98/14*0191*, e1*2001/116*0210*	JH1/JD3	02.02-09.08	6 J x 15	185/55R15	195/50R15		15102	<b>R1-1338</b>		63,3	108	4	52,5	40	<b>74,20</b>
<b>Fiesta VI</b>	1.25/1.4/1.4LPG/1.6Ti-VCT/1.6-TDCi	fino a e9*2001/116*0069*10, fino a e13*2007/46*1058*08	JA8/JA8-LPG	10.08-12.12	5½ J x 14	175/65R14			14182	<b>R1-1738</b>		63,3	108	4	37,5	48	<b>63,10</b>
<b>Fiesta VI</b>	1.25/1.4/1.4LPG/1.6Ti-VCT/1.6-TDCi	fino a e9*2001/116*0069*10, fino a e13*2007/46*1058*08	JA8/JA8-LPG	10.08-12.12	6 J x 15	195/50R15	195/60R15		15217	<b>R1-1730</b>		63,3	108	4	47,5	40	<b>69,70</b>
<b>Fiesta VI (Facelift)</b>	1.0/1.25/1.4LPG/1.5TDCi/1.6Ti-VCT/1.6TDCi	a partire da e9*2001/116*0069*11, a partire da e13*2007/46*1058*09	JA8/JA8-LPG	01.13-	5½ J x 14	175/65R14			14182	<b>R1-1738</b>		63,3	108	4	37,5	48	<b>63,10</b>
<b>Fiesta VI (Facelift)</b>	1.0/1.25/1.4LPG/1.5TDCi/1.6Ti-VCT/1.6TDCi	a partire da e9*2001/116*0069*11, a partire da e13*2007/46*1058*09	JA8/JA8-LPG	01.13-	6 J x 15	195/50R15	195/55R15	195/60R15	15217	<b>R1-1730</b>		63,3	108	4	47,5	40	<b>69,70</b>
<b>Focus</b>	1.4i/1.6i/1.8i/1.8TDDi/1.8Di/1.9TDi/2.0i	e13*97/27*0037*, -/38*, -/39*, -/40*, e13*98/14*0056*, -/57*, -/58*, e13*98/14D0056*, -/57*, -/58*	DAW/DBW/DFW/DNW/ DAX/DBX/DNX	11.98-09.04	5½ J x 14	175/70R14	185/65R14		14106	<b>R1-1330</b>		63,3	108	4	47,5	54	<b>63,00</b>
<b>Focus</b>	1.4i/1.6i/1.8i/1.8TDDi/1.8Di/1.9TDi/2.0i	e13*97/27*0037*, -/38*, -/39*, -/40*, e13*98/14*0056*, -/57*, -/58*, e13*98/14D0056*, -/57*, -/58*	DAW/DBW/DFW/DNW/ DAX/DBX/DNX	11.98-09.04	6 J x 15	195/55R15	195/60R15		15102	<b>R1-1338</b>		63,3	108	4	52,5	40	<b>74,20</b>
<b>Focus II</b>	1.4/1.6/1.6Ti-VCT/1.6-TDCi/1.8	e13*2001/116*0144*, -/157*	DA3/DB3	10.04-03.11	6 J x 15	195/65R15			15163	<b>R1-1522</b>		63,3	108	5	52,5	40	<b>74,00</b>
<b>Focus II/CC/ST220</b>	1.4/1.6/1.6Ti-VCT/1.6-TDCi/1.8/2.0/2.0-TDCi/ST220 Cabrio 1.6/2.0/2.0TDCi	e13*2001/116*0144*, -/157*	DA3/DB3	10.04-03.11	6½ J x 16	205/55R16			16036	<b>R1-1557</b>		63,3	108	5	52,5	30	<b>90,90</b>



<b>Focus II/CC/ST220</b>	1.4/1.6/1.6Ti-VCT/1.6-TDCi/1.8/2.0/2.0-TDCi/ST220 Cabrio 1.6/2.0/2.0TDCi	e13*2001/116*0144*, -/157*, -/999*, -/1017*	DA3/DB3/DA3-LPG/DA3-CNG	03.07-03.11	6½ J x 16	205/55R16			16115	<b>R1-1707</b>		63,3	108	5	50	30	<b>88,00</b>
<b>Focus III</b>	1.0-EcoBoost/1.6Ti-VCT/1.6-EcoBoost/1.6LPG/1.6TDCi/2.0TDCi/Focus electric	e13*2007/46*1138, -/1289*, -/1390*	DYB/DYB-LPG/DYB-BEV	04.11-	6½ J x 16	205/55R16	215/55R16		16115	<b>R1-1707</b>		63,3	108	5	50	30	<b>88,00</b>
<b>Fusion</b>	1.25i/1.4i-16V/1.4TDCi/1.6/1.6-TDCi	e1*98/14*0194*25	JU2	08.02-06.12	5½ J x 14	185/60R14			14144	<b>R1-1464</b>		63,3	108	4	47,5	54	<b>62,40</b>
<b>Fusion</b>	1.25/1.4/1.4-TCDi/1.6/1.6-TDCi	e1*98/14*0194*25	JU2	08.02-06.12	6 J x 15	195/60R15			15102	<b>R1-1338</b>		63,3	108	4	52,5	40	<b>74,20</b>
<b>Galaxy</b>	1.9TDI/2.0i/2.3i-16V	e1*95/54*0024*14	WGR	09.95-03.01	6 J x 15	195/65R15	205/60R15		15128	<b>R1-1410</b>		57	112	5	55	30	<b>96,00</b>
<b>Galaxy</b>	1.9TDI/2.0i/2.3i-16V/2.8CD-V6-24V	e1*95/54*0024*15, e1*2001/116*0024*	WGR	07.00-04.06	6 J x 16	195/60R16	205/55R16	215/55R16	16011	<b>R1-1408</b>		57	112	5	53	40	<b>111,10</b>
<b>Galaxy II</b>	1.8TDCi/2.0/2.0-Flexfuel/2.0TDCi/2.0STCi/2.2TDCi/2.3	e13*2001/116*0185*23	WA6	05.06-08.15	6½ J x 16	215/60R16			16084	<b>R1-1645</b>		63,3	108	5	50	25	<b>92,40</b>
<b>Galaxy III</b>	1.5/2.0EcoBoost/2.0TDCi	a partire da e13*2001/116*0185*24	WA6	09.15-	7½ J x 17	235/55R17			17018	<b>R1-1948</b>		63,3	108	5	55	20	<b>91,20</b>
<b>KA</b>	1.3i	e9*95/54*0019*	RBT	11.96-12.08	4½ J x 13	155/70R13			13066	<b>R1-879</b>		63,3	108	4	37,5	63	<b>59,60</b>
<b>KA</b>	1.3i-8V	e9*95/54*0019*	RBT	11.96-12.08	5,00 B x 13	155/70R13	165/65R13		13053	<b>R1-917</b>		63,3	108	4	36	54	<b>63,90</b>
<b>KA II</b>	1.2/1.3TDCi	e3*2001/116*0280*	RU8	01.09-	5½ J x 14	165/65R14	175/65R14		14176	<b>R1-1689</b>		58	98	4	35	54	<b>57,10</b>
<b>KA II</b>	1.2/1.3TDCi	e3*2001/116*0280*	RU8	01.09-	6 J x 15	195/50R15			15159	<b>R1-1475</b>		58	98	4	40	40	<b>75,60</b>
<b>Kuga</b>	2.0TDCi/2.5/4x4/2.0TDCi/4x2	e13*2001/116*0109*31	DM2	06.08-03.13	6½ J x 16	235/60R16			16115	<b>R1-1707</b>		63,3	108	5	50	30	<b>88,00</b>
<b>Kuga II</b>	1.6/2.0TDCi/2x4/1.6/2.0TDCi/2.5/4x4	e13*2001/116*0109*31	DM2	04.13-	6½ J x 16	215/65R16	235/60R16		16186	<b>R1-1886</b>		63,3	108	5	50	30	<b>79,80</b>
<b>Kuga II</b>	1.6/2.0TDCi/2x4/1.6/2.0TDCi/2.5/4x4	e13*2001/116*0109*31	DM2	04.13-	7½ J x 17	235/55R17			17023	<b>R1-1983</b>	N	63,3	108	5	52,5	25	<b>90,70</b>
<b>Mondeo</b>	1.6i/1.8i/1.8TD/2.0i	G274, G387, e1*95/54*0045*, -/46*, -/47*	BNP/BAP/BFP/GBP	03.93-08.98	5½ J x 14	185/65R14	195/60R14		14035	<b>R1-990</b>		63,3	108	4	47,5	96	<b>80,50</b>
<b>Mondeo/ST200</b>	1.8i/2.5iV6-24V/2.0i 4x4/ST200	G274, H028, G387, e1*95/54*0045*, -/46*, -/47*, e1*98/14*0124*, -/125*, -/126*	GBP/GBP4/BAP/BFP/BNP/BAW/BFW/BNW	03.93-11.00	6 J x 15	195/55R15	195/60R15	205/55R15	15030	<b>R1-1021</b>		63,3	108	4	49,5	88	<b>94,30</b>
<b>Mondeo (Facelift) /ST220</b>	1.8i/2.0i/2.0-DI/2.0-TDCi/2.5iV6-24V/ST220-3.0iV6-24V/2.0-TDDi/2.0-TDCi	e1*98/14*0154*, -/155*, -/156*	B4Y/B5Y/BWY	12.00-04.07	6½ J x 16	205/55R16			16036	<b>R1-1557</b>		63,3	108	5	52,5	30	<b>90,90</b>
<b>Mondeo</b>	1.6Ti-VCT/1.8TDCi/2.0/2.0LPG/2.0TDCi/2.0STCi/2.2TDCi/2.5	e13*2001/116*0249*, -/1015*	BA7/BA7-LPG	05.07-12.14	6½ J x 16	205/55R16	215/55R16		16115	<b>R1-1707</b>		63,3	108	5	50	30	<b>88,00</b>
<b>Mondeo (MY 2015)</b>	1.0/1.5/1.5TDCi/1.6TDCi/1.6/2.0/2.0TDCi/Hybrid	a partire da e13*2001/116*0249*26, e13*2007/46*1485*	BA7/BA7-HEV	01.15-	6½ J x 16	215/60R16			16115	<b>R1-1707</b>		63,3	108	5	50	30	<b>88,00</b>
<b>Puma</b>	1.4i/1.7i	e13*95/54*0024*	ECT	05.97-12.01	5,00 B x 13	175/70R13			13054	<b>R1-1076</b>		63,3	108	4	43,5	54	<b>55,30</b>
<b>Puma</b>	1.4i/1.6i/1.7i	e13*95/54*0024*	ECT	05.00-12.01	5½ J x 14	165/65R14			14141	<b>R1-1218</b>		63,3	108	4	43,5	54	<b>81,40</b>
<b>Ranger</b>	2.2TDCi 4x2 / 2.2TDCi 4x4	e11*2007/46*0154*	2AB	01.16-	7 J x 16				16233	<b>R1-1973</b>	N	93	140,5	6	55	30	<b>106,40</b>
<b>Ranger</b>	2.2TDCi 4x2 / 2.2TDCi 4x4	e11*2007/46*0154*	2AB	01.16-	7½ J x 17				17020	<b>R1-1974</b>	N	93	140,5	6	55	25	<b>122,60</b>
<b>Scorpio</b>	2.0i/2.3i/2.5TD/2.9i-24V	G968, e1*93/81*0018*, -/19*, e1*95/54*0018*, -/19*	GGR/GFR/GNR	01.95-12.98	6 J x 15	195/65R15	205/60R15	205/65R15	15030	<b>R1-1021</b>		63,3	108	4	49,5	88	<b>94,30</b>
<b>S-Max</b>	2.0/2.0-Flexfuel/2.0TDCi/2.0STCi/2.2TDCi/2.3/2.5	e13*2001/116*0185*23	WA6	06.06-08.15	6½ J x 16	215/60R16			16084	<b>R1-1645</b>		63,3	108	5	50	25	<b>92,40</b>
<b>S-Max II</b>	1.5 Eco Boost/2.0 Eco Boost Automatic/2.0TDCi	a partire da e13*2001/116*0185*24	WA6	09.15-	7½ J x 17	235/55R17			17018	<b>R1-1948</b>		63,3	108	5	55	20	<b>91,20</b>
<b>Tourneo Connect</b>	1.8i/1.8TDCi	e1*2001/116*0206* fino a e1*2001/116*207*15	PJ2/PH2	03.03-12.13	6 J x 15	195/65R15			15171	<b>R1-1552</b>		63,3	108	5	52,5	40	<b>98,20</b>

## Ford (segue)

Modello	Motorizzazioni	Omologazione del veicolo	Codice progetto	Anno di produzione	Misura ruota	Misura pneumatico			Disegno MWD	Disegno MW Aftermarket	Osservazioni	Dati tecnici				Pezzi per paletta	Prezzo EUR senza IVA
												Foro centrale	Interasse fori	Fori attacco	Offset		
<b>Tourneo Connect/Grand Tourneo Connect</b>	Connect 1.0/1.6/1.6TDCi / Grand Connect 1.6/1.6TDCi	a partire da e1*2001/116*0207*16, a partire da e1*2007/46*0272*04	PJ2/PU2	11.13-	6½ J x 16	205/60R16	215/55R16		16186	<b>R1-1886</b>		63,3	108	5	50	30	<b>79,80</b>
<b>Tourneo Courier</b>	1.0/1.5TDCi/1.6TDCi	a partire da e1*98/14*0194*26	JU2	06.14-	6 J x 15	185/60R15	195/60R15		15277	<b>R1-1925</b>		63,3	108	4	37,5	40	<b>89,50</b>
<b>Transit Tourneo/Euroline/Nugget</b>	2.0TDE/2.0TDCi	e11*98/14*0151*, -/152* fino a -/157*, -/172*	FBEY/FDEY/FDFY/FDGY/FSEY/FSFY/FSGY/FZEY	01.01-05.06	5½ J x 15	195/70R15			15165	<b>R1-1421</b>		65	160	5	60	32	<b>127,10</b>
<b>Transit Tourneo/Euroline/Nugget</b>	2.0TDE/2.0TDCi	e11*98/14*0124*, -/125*, -/126*, -/127*, -/149*, -/150*, -/151*, -/152*, -/153*, -/154*, -/155*, -/156*, -/157*, -/172*	FDBY/FDCY/FSBY/FSFY/FSAY/FSAY/FBEY/FDEY/FDFY/FDGY/FSEY/FSFY/FZEY	01.01-05.06	5½ J x 16	195/65R16	205/65R16	215/75R16	16080	<b>R1-1587</b>		65	160	5	56	30	<b>115,20</b>
<b>Transit Tourneo</b>	2.2TDCi	e11*2001/116*0282*, -/283*, -/284*, -/285*, -/286*, -/287*, -/288*, -/289*	FBE6/FDE6/FDF6/FDG6/FSE6/FSF6/FSG6/FZE6	06.06-	5½ J x 15	195/70R15			15165	<b>R1-1421</b>		65	160	5	60	32	<b>127,10</b>
<b>Transit Tourneo</b>	2.2TDCi	e11*2001/116*0282*, -/283*, -/284*, -/285*, -/286*, -/287*, -/288*, -/289*	FBE6/FDE6/FDF6/FDG6/FSE6/FSF6/FSG6/FZE6	06.06-	5½ J x 16	185/75R16	205/65R16	215/75R16	16080	<b>R1-1587</b>		65	160	5	56	30	<b>115,20</b>
<b>Transit Tourneo</b>	2.4TDCi/3.2TDCi	e11*2001/116*0276*, -/277*, -/278*, -/279*, -/280*, -/281*	FDA6/FDB6/FDC6/FSA6/FSB6/FSC6	06.06-	5½ J x 16	205/75R16	215/75R16		16080	<b>R1-1587</b>		65	160	5	56	30	<b>115,20</b>

## Ford veicoli commerciali

Modello	Motorizzazioni	Omologazione del veicolo	Codice progetto	Anno di produzione	Misura ruota	Misura pneumatico			Disegno MWD	Disegno MW Aftermarket	Osservazioni	Dati tecnici				Pezzi per paletta	Prezzo EUR senza IVA
												Foro centrale	Interasse fori	Fori attacco	Offset		
<b>Fiesta II Courier</b>	1.3i/1.8D	F719	F5L	11.91-12.01	4½ J x 13	145 R 13	165/70R13		13066	<b>R1-879</b>		63,3	108	4	37,5	63	<b>59,60</b>
<b>Fiesta Courier</b>	Kasten 1.3i/1.4i/1.8D/1.8TD	H267, H371, e13*93/81*0013*, e13*95/54*0013*	J3S/J5S/JVS	01.96-02.03	5 J x 13	165/70R13			13054	<b>R1-1076</b>		63,3	108	4	43,5	54	<b>55,30</b>
<b>Fiesta Van</b>	1.3i/1.4TDCi/1.6i/1.6TDCi	N070	JC3	04.07-12.08	5½ J x 14	175/65R14			14144	<b>R1-1464</b>		63,3	108	4	47,5	54	<b>62,40</b>
<b>Fiesta Van</b>	1.3i/1.4TDCi/1.6TDCi	N070	JC3	04.07-12.08	6 J x 15	195/60R15			15102	<b>R1-1338</b>		63,3	108	4	52,5	40	<b>74,20</b>
<b>Fiesta Van</b>	1.25i/1.4TDCi/1.6TDCi	DE2007/46*0072* fino a e9*2007/46*0002*06	JR8	01.09-12.12	5½ J x 14	175/65R14			14182	<b>R1-1738</b>		63,3	108	4	37,5	48	<b>63,10</b>
<b>Fiesta Van</b>	1.25i/1.4TDCi/1.6TDCi	DE2007/46*0072* fino a e9*2007/46*0002*06	JR8	01.09-12.12	6 J x 15	195/50R15	195/60R15		15217	<b>R1-1730</b>		63,3	108	4	47,5	40	<b>69,70</b>
<b>Fiesta Van (Facelift)</b>	1.25i/1.4TDCi/1.6TDCi	a partire da e9*2007/46*0002*07	JR8	01.13-	5½ J x 14	175/65R14			14182	<b>R1-1738</b>		63,3	108	4	37,5	48	<b>63,10</b>

<b>Fiesta Van (Facelift)</b>	1.25i/1.4TDCi/1.6TDCi	a partire da e9*2007/46*0002*07	JR8	01.13-	6 J x 15	195/50R15	195/55R15		15217	<b>R1-1730</b>	63,3	108	4	47,5	40	<b>69,70</b>
<b>Escort Express Kasten</b>	40L/1.8D/1.8TD	F602, H746	AVL	10.90-02.03	5 J x 13	165 R 13			13055	<b>R1-921</b>	63,3	108	4	41	63	<b>70,80</b>
<b>Transit Courier</b>	1.0/1.5TDCi/1.6TDCi	e13*2007/46*1349*	JN8	06.14-	6 J x 15	185/60R15	195/60R15		15277	<b>R1-1925</b>	63,3	108	4	37,5	40	<b>89,50</b>
<b>Transit Connect</b>	1.8i/1.8TDDi/1.8TDCi	L071, L072, e1*2007/46*0271*, fino a e1*2007/46*0272*03	PT2/PU2	03.03-12.13	6 J x 15	195/65R15			15171	<b>R1-1552</b>	63,3	108	5	52,5	40	<b>98,20</b>
<b>Transit Connect</b>	1.0/1.6/1.6TDCi	a partire da e1*2001/116*0207*16, a partire da e1*2007/46*0272*04	PJ2/PU2	11.13-	6½ J x 16	205/60R16	215/55R16		16186	<b>R1-1886</b>	63,3	108	5	50	30	<b>79,80</b>
<b>Transit</b>	FT260/FT280/FT300/2.0TD/2.0TDE/2.0TDCi	e11*98/14*0151*, -/152*, -/153*, -/154*, -/155*, -/156*, -/157*, -/172*, K710, K711, K712, K714, K715, K716	FBY/FDEY/FDFY/FDGY/FSEY/FSFY/FSGY/FZEY/FAEY/FAFY/FAGY	01.01-05.06	5½ J x 15	195/70R15			15165	<b>R1-1421</b>	65	160	5	60	32	<b>127,10</b>
<b>Transit</b>	FT260/FT280/FT300/FT330/2.0TD/2.0TDE/2.0TDCi/2.4TDE/2.3DOHC/2.4TDCi	K585, K586, K587, K588, K589, K590, K591, K592, K708, K709, K710, K711, K712, K713, L218, L219	FAAY/ABY/ACY/AEY/AFY/ADY/AGY/CCY/MAY/MBY/MCY/MDY/MGY/MHY/NBY/NCY	01.01-05.06	5½ J x 16	195/65R16	205/65R16	215/75R16	16080	<b>R1-1587</b>	65	160	5	56	30	<b>115,20</b>
<b>Transit</b>	FT300M/FT330/FT330M/FT330L/FT330S/2.3i-16V/2.4TD/2.4TDE/FT350L/2.3i-16V/2.4TD/2.4TDE/FT420/FT430/2.4TDE/2.4TDCi Montaggio in gemello	K587, K588, K589, K590, K591, K592, K593, K709, K988	FMAY/FMBY/FMCY/FMDY/FNBY/FNCY/FNDY/FADY/FCDY	01.00-05.06	5 J x 16	175/75C16	185/75C16		16231	<b>R1-1625</b>	138,8	180	6	105,5	30	<b>125,50</b>
<b>Transit</b>	FT260/280/300/330/350/2.2TDCi	L744, L745, L746, L751, L752, L758, e1*2007/46*0243*, -/244*, -/246*, -/255*, -/256*, -/268*	FAE6/FAF6/FAG6/FNF6/FMF6/FME6	06.06-	5½ J x 15	195/70R15			15165	<b>R1-1421</b>	65	160	5	60	32	<b>127,10</b>
<b>Transit</b>	FT260/280/300/330/350/2.2TDCi	L744, L745, L746, L751, L752, L753, L754, L758, e1*2007/46*0243*, -/244*, -/246*, -/255*, -/256*, -/258*, -/260*, -/268*	FAE6/FAF6/FAG6/FME6/FMF6/FMG6/FNF6/FMH6	06.06-	5½ J x 16	185/75R16	205/65R16	215/75R16	16080	<b>R1-1587</b>	65	160	5	56	30	<b>115,20</b>
<b>Transit</b>	FT300/330/350/2.3i-16V/2.2TDCi/2.4TDCi/3.2TDCi	L740, L741, L742, L743, L747, L748, L749, L750, L755, L756, L757, L760, e1*2007/46*0236*, -/237*, -/239*, -/241*, -/248*, -/249*, -/251*, -/253*, -/262*, -/264*, -/266*	FAA6/FAB6/FAC6/FAD6/FCC6/FMA6/FMB6/FMC6/FMD6/FNB6/FNC6/FND6	06.06-	5½ J x 16	205/75R16	215/75R16		16080	<b>R1-1587</b>	65	160	5	56	30	<b>115,20</b>
<b>Transit</b>	2.2TDCi	e1*2007/46*0238*, -/240*, -/242*, -/245*, -/247*, -/250*, -/254*, -/257*, -/259*, -/261*, -/263*, -/265*, -/267*	FEB6/FEC6/FED6/FEF6/FEG6/FFB6/FFD6/FFF6/FFG6/FFH6/FGB6/FGC6/FGD6	08.11-	5½ J x 16	215/75R16			16080	<b>R1-1587</b>	65	160	5	56	30	<b>115,20</b>
<b>Transit</b>	FT350/430/2.3i-16V/2.4TDCi/3.2TDCi	L743, L747, L748, L749, L750, L755, L756, L757, L761, e1*2007/46*0241*, -/248*, -/249*, -/251*, -/253*, -/262*, -/264*, -/266*, -/242*, -/250*, -/252*, -/254*, -/263*, -/265*, -/267*	FAD6/CD6/MA6/MB6/MC6/MD6/NB6/NC6/ND6/ED6/FB6/FC6/FD6/GB6/GC6/GD6	06.06-	5 J x 16	185/75R16	195/75R16		16085	<b>R1-1646</b>	138	180	6	108	30	<b>124,80</b>
<b>Transit/Transit Custom</b>	2.2TDCi	e1*2007/46*1005*, -/1100*, e11*2007/46*0676*, -/0801*	FCC/FAC/FAD/FCD	01.13-	6½ J x 15	215/65R15			15256	<b>R1-1863</b>	65	160	5	60	40	<b>87,60</b>
<b>Transit/Transit Custom</b>	2.2TDCi	e1*2007/46*1005*, -/1096*, -/1097*, -/1098*, -/1100*, e11*2007/46*0676*, -/0801*	FCC/FAC/FAD/FED/FFD/FDD/FCD	01.13-	6½ J x 16	215/65R16	235/65R16		16183	<b>R1-1864</b>	65	160	5	60	30	<b>95,00</b>
<b>Transit</b>	2.2TDCi Il montaggio in gemello non ammette TPMS	e1*2007/46*1096* - 1097*, - 1098*, - 1100*	FED/FFD/FDD/FCD	11.13-	6 J x 16	195/75R16			16215	<b>R1-1924</b>	138,8	180	6	109,5	30	<b>115,50</b>

# Honda



R1-1148



R1-1177



R1-1309



R1-1599



R1-1610



R1-1615



R1-1739



R1-1750



R1-1857



R1-1885



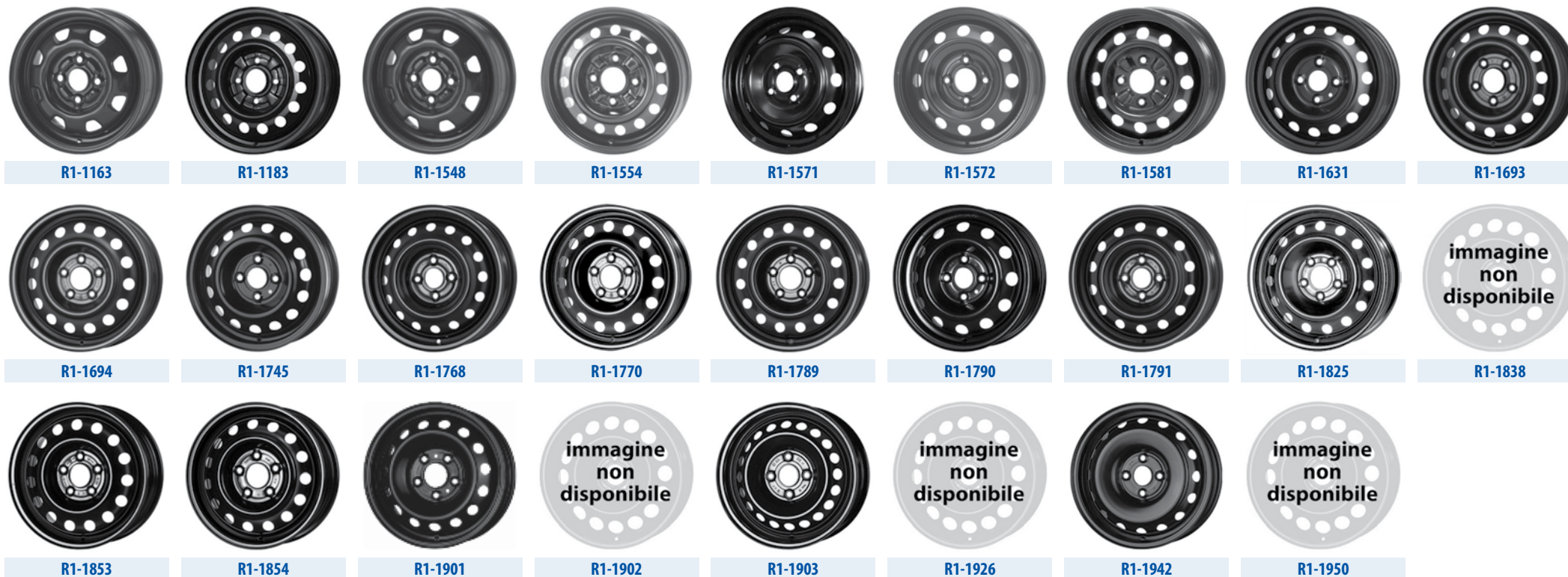
immagine  
non  
disponibile

R1-1949

Modello	Motorizzazioni	Omologazione del veicolo	Codice progetto	Anno di produzione	Misura ruota	Misura pneumatico		Disegno MWD	Disegno MW Aftermarket	Osservazioni	Dati tecnici				Pezzi per paletta	Prezzo EUR senza IVA
											Foro centrale	Interasse fori	Fori attacco	Offset		
Accord	1.6i	e11*98/14*0103*, e11*98/14*0117*	CG7/CH5	10.98-01.03	5½ J x 14	185/70R14		14076	R1-1309		64	114,3	4	60	48	81,70
Accord/Tourer	2.0i-16V/2.2i-CTDi/2.4i-16V	e6*2001/116*0091*, -/92*, -/93*, -/94*, -/96*, -/97*	CL7/CL9/CN1/CM1/CM2/CN2	01.03-06.08	6½ JJ x 16	205/55R16		16083	R1-1615		64	114,3	5	55	30	106,20
Accord/Tourer	2.0/2.2i-DTEC	e6*2001/116*0113*, -/115*, -/120*, -/122*	CU1/CU3/CW1/CW3	07.08-	6½ JJ x 16	205/60R16	215/60R16	16129	R1-1739		64	114,3	5	50	30	105,70
Civic	1.4iS/LS/1.6iS/LS/ES/1.7i-CTDi 3 e 4 porte	e11*98/14*0158*, -/159*, -/160*, -/161*, -/173*, -/174*, 188*	EU5/EU6/EU7/EU8/EP1/EP2/EP4	03.01-12.05	5½ J x 14	185/70R14		14138	R1-1148		56	100	4	45	48	81,40
Civic	1.3/1.4/1.8/2.2i-CDTi	e11*2001/116*0255*, -/256*, -/257*, -/297*, -/298*, -/334*	FK1/FK2/FK3/FN1/FN3/FN4	01.06-01.12	6½ J x 16	205/55R16		16081	R1-1610		64	114,3	5	55	30	98,30
Civic	2.0-R-Type	e11*2001/116*0306*	FN2	01.06-01.12	6½ JJ x 16	205/55R16		16083	R1-1615		64	114,3	5	55	30	106,20
Civic	1.4S/1.8S/2.2i-DTEC	e11*2001/116*0255*, -/256*, -/257*, e11*2007/46*0186*	FK1/FK2/FK3/FB8	02.12-	6½ JJ x 16	205/55R16		16175	R1-1857		64	114,3	5	45	30	83,50
CR-V	1.6i-DTEC/2.0i-VTEC/2.2i-DTEC/2WD/4WD	e11*2001/116*0301*06, -/302*06-*10	RE5/RE6	10.12-04.15	6½ J x 17	225/65R17		17011	R1-1885		64	114,3	5	50	25	105,70
HR-V	5DR/1.6i-2wd/1.6i-4wd/1.6i-4wd-CVT/1.6i-VTEC-4wd/3DR/1.6i-2wd/1.6i-VTEC-4wd	e6*98/14*0062*, -/63*, -/67*, -/68*	GH1/GH2/GH3/GH4	01.99-12.05	5½ JJ x 15	195/70R15		15132	R1-1177		64	114,3	5	45	36	108,00
Insight	1.3	e6*2001/116*0130*	ZE2	04.09-12.13	5½ J x 15	175/65R15		15224	R1-1750		56	100	4	45	48	89,00
Jazz	1.2i-S/1.4i-LS/1.4i-ES/1.4i-ES Sport	a partire da e6*98/14*0087*02, a partire da e6*98/14*0088*05, e6*2001/116*0101*, -/102*	GD1/GD5/GE2/GE3	03.04-10.08	5½ JJ x 14	175/65R14		14161	R1-1599		56	100	4	45	48	88,40
Jazz II	1.2i-VTEC/1.3i-DSI-VTEC/1.4i-VTEC/1.4i-VTEC CVT	e6*2001/116*0125*, -/126*, -/127*, -/128*, -/131*, -/132*, e6*2007/46*0010*, -/11*, -/13*, -/14*, -/15*, -/16*	GG1/GG2/GE6/GG3/GG5/GG6/GP1	11.08-12.15	5½ J x 15	175/65R15		15224	R1-1750		56	100	4	45	48	89,00
Jazz III	1.3i-VTEC Trend/1.3i-VTEC Comfort/1.3i-VTEC Elegance/1.5VTEC	e6*2007/46*0162*	GK	12.15-	6 J x 15	185/60R15		15284	R1-1949		56	100	4	50	48	72,60



# Hyundai



Modello	Motorizzazioni	Omologazione del veicolo	Codice progetto	Anno di produzione	Misura ruota	Misura pneumatico			Disegno MWD	Disegno MW Aftermarket	Oscilla- zioni	Dati tecnici				Pezzi per paletta	Prezzo EUR senza IVA
						Foro centrale	Interasse fori	Fori attacco				Offset					
Accent	1.3iL/GS/GLS/1.5iGS/GLS/1.5CRDi	e4*98/14*0037*	LC	01.00-05.06	5 J x 13	175/70R13			13111	R1-1163		54	100	4	46	54	71,10
Accent	1.3iL/GS/GLS/1.5iGS/GLS/1.5CRDi/1.6i-GLS	e4*98/14*0037*	LC	01.00-05.06	5 J x 14	185/60R14			14133	R1-1548		54	100	4	46	54	83,60
Accent	1.4i/1.5CRDi/1.6i	e4*2001/116*0103*, -/110*	MC/MCT	06.06-12.10	5½ J x 14	185/65R14			14168	R1-1631		54	100	4	46	48	87,60
Atos/Prime	1.0iGL/GLS	a partire da e11*96/79*0092*07	MX	02.01-12.02	5 J x 13	155/70R13	175/60R13		13111	R1-1163		54	100	4	46	54	71,10
Atos/Santro Xing	1.1i	e11*2001/116*0220*	MXI	03.04-02.08	5 J x 13	175/60R13			13111	R1-1163		54	100	4	46	54	71,10
Getz	1.1i/1.3i	fino a e4*98/14*0066*08	TB	09.02-01.09	5 J x 13	155/80R13			13111	R1-1163		54	100	4	46	54	71,10
Getz	1.1i/1.3i/1.4i/1.5CRDi/1.6i	e4*98/14*0066*	TB	09.02-01.09	5 J x 14	165/65R14	175/65R14		14133	R1-1548		54	100	4	46	54	83,60
Getz	1.1i/1.4i/1.5CRDi/1.6i	e4*2001/116*0123*	TBI	01.07-01.09	5 J x 14	165/65R14	175/65R14		14133	R1-1548		54	100	4	46	54	83,60
i10	1.0/1.1/1.25	e4*2001/116*0131*	PA	03.08-02.11	4,00 B x 13	155/70R13			13116	R1-1572		54	100	4	46	63	76,40

# Hyundai (segue)

Modello	Motorizzazioni	Omologazione del veicolo	Codice progetto	Anno di produzione	Misura ruota	Misura pneumatico			Disegno MWD	Disegno MW Aftermarket	Osservazioni	Dati tecnici				Pezzi per paletta	Prezzo EUR senza IVA
												Foro centrale	Interasse fori	Fori attacco	Offset		
<b>i10 (Facelift)</b>	1.0/1.1/1.25 Non monta la coppa della R1-1572	e4*2001/116*0131*05	PA	03.11-11.13	4,00 B x 13	155/70R13			13121	<b>R1-1838</b>		54	100	4	46	63	<b>76,40</b>
<b>i10</b>	1.1/1.1CRDi/1.25	e4*2001/116*0131*	PA	03.08-11.13	5 J x 14	165/60R14	175/60R14		14158	<b>R1-1571</b>		54	100	4	46	48	<b>84,10</b>
<b>i10</b>	1	e11*2007/46*1008*	IA	12.13-	4½ J x 13	155/70R13			13122	<b>R1-1902</b>		54	100	4	35	63	<b>69,50</b>
<b>i10</b>	1.0/1.2	e11*2007/46*1008*	IA	12.13-	5½ J x 14	175/65R14			14197	<b>R1-1903</b>		54	100	4	47	54	<b>71,20</b>
<b>i20</b>	1.1CRDi/1.2/1.4/1.4CRDi/1.6/1.6CRDi Produzione India	fino a e11*2001/116*0333*04	PB	02.09-09.14	5 J x 14	175/70R14			14183	<b>R1-1745</b>		54	100	4	45	63	<b>82,90</b>
<b>i20</b>	1.1CRDi/1.2/1.4/1.4CRDi/1.6/1.6CRDi Produzione India	e11*2001/116*0333*, e11*2007/46*0129*	PB/PBT	02.09-09.14	5½ J x 15	185/60R15			15229	<b>R1-1768</b>		54	100	4	51	40	<b>84,10</b>
<b>i20</b>	1.1CRDi/1.2/1.4/1.4CRDi/1.6/1.6CRDi Produzione Turchia - 5 porte	e11*2007/46*0129*, a partire da e11*2001/116*0333*03	PB/PBT	04.10-09.14	5½ J x 14	175/70R14			14186	<b>R1-1790</b>		54	100	4	46	63	<b>82,90</b>
<b>i20</b>	1.1CRDi/1.2/1.4/1.4CRDi/1.6/1.6CRDi Produzione Turchia - 5 porte	e11*2007/46*0129*, e11*2001/116*0333*03	PB/PBT	04.10-09.14	6 J x 15	185/60R15			15235	<b>R1-1791</b>		54	100	4	52	40	<b>85,10</b>
<b>i20 II</b>	1.1CRDi/1.2/1.2Blue/1.4Blue/1.4CRDi	e11*2007/46*1600*	GB	10.14-	6 J x 15	185/60R15	195/60R15		15282	<b>R1-1942</b>		54	100	4	47	48	<b>79,30</b>
<b>ix20</b>	1.4/1.4CRDi/1.6/1.6CRDi per TPMS	e4*2007/46*0207*, e4*2007/46*0223*	JC	11.10-	6 J x 15	195/65R15			15265	<b>R1-1901</b>		67	114,3	5	48	40	<b>83,70</b>
<b>i30/i30cw</b>	1.4/1.6/1.6CRDi Veicoli di produzione asiatica	e11*2001/116*0313*	FD	07.07-02.12	6 J x 16	205/55R16			16110	<b>R1-1694</b>		67	114,3	5	51	25	<b>93,70</b>
<b>i30/i30cw</b>	1.4/1.6/1.6CRDi/2.0i/2.0CRDi Veicoli di produzione Rep.Ceca	e11*2001/116*0343*, e11*2007/46*0225*	FDH	01.09-02.12	5½ J x 15	185/65R15	195/65R15		15206	<b>R1-1693</b>		67	114,3	5	47	48	<b>84,70</b>
<b>i30/i30cw</b>	1.4/1.6/1.6CRDi/2.0i/2.0CRDi Veicoli di produzione Rep.Ceca	e11*2001/116*0313*, -/343*, e11*2007/46*0225*	FD/FDH	01.09-02.12	6 J x 16	205/55R16			16146	<b>R1-1770</b>		67	114,3	5	50	25	<b>95,80</b>
<b>i30/i30cw</b>	1.4/1.4CRDi/1.6/1.6CRDi	e11*2007/46*0337*, -/338*	GDH	03.12-	6 J x 15	195/65R15			15252	<b>R1-1854</b>		67	114,3	5	46	40	<b>85,20</b>
<b>i30/i30cw</b>	1.4/1.4CRDi/1.6/1.6CRDi Omologazione valida SOLO per il mercato tedesco	e11*2007/46*0337*	GDH	03.12-	6½ J x 16	205/55R16			16176	<b>R1-1853</b>		67	114,3	5	51	30	<b>94,20</b>
<b>ix35</b>	1.6/1.6blue/1.7CRDi/2.0/2.0CRDi/2WD/4WD Omologazione valida SOLO per il mercato tedesco	e11*2007/46*0104*, fino a e11*2007/46*0192*05	EL/ELH	03.10-08.13	6½ J x 16	215/70R16	215/70R16		16155	<b>R1-1789</b>		67	114,3	5	45	30	<b>98,80</b>
<b>ix35 (Facelift)</b>	1.6/1.6blue/1.7CRDi/1.7CRDi-blue/2.0/2.0CRDi	a partire da e11*2007/46*0192*06	ELH	09.13-	6½ J x 16	215/70R16			16210	<b>R1-1926</b>		67	114,3	5	48	30	<b>98,80</b>
<b>i40/i40cw</b>	1.6/1.7CRDi/2.0	e4*2007/46*0263*, -/264*	VF	07.11-	7 J x 16	205/60R16			16169	<b>R1-1825</b>		67	114,3	5	40	30	<b>99,50</b>
<b>Matrix</b>	1.5CRDi/1.6i-GLS/1.8i-GLS	e4*98/14*0059*, e4*2001/116*0126*	FC/FCT	07.01-04.10	5½ J x 14	185/65R14			14154	<b>R1-1554</b>		67	114,3	4	46	48	<b>83,60</b>
<b>Sonata</b>	2.0iGLS/2.4iGLS/2.5iV6-GLS/2.7iV6-GLS/3.0iV6-GLS	e11*93/81*0064*, e4*97/27*0032*	Y-3/EF	07.96-05.01	6 J x 15	205/60R15			15100	<b>R1-1183</b>		67	114,3	4	46	40	<b>89,60</b>
<b>Sonata</b>	2.0iGLS/2.5iV6-GLX/2.7iV6-GLS	e4*98/14*0032*	EF	06.01-02.05	6 J x 15	205/60R15	205/65R15		15181	<b>R1-1581</b>		67	114,3	4	46	40	<b>90,20</b>
<b>Sonata/Sonica</b>	2.0-CRDi/2.4/3.3-V-6 Omologazione valida SOLO per il mercato tedesco	e11*2001/116*0241*	NF	03.05-05.10	6½ J x 16	215/60R16			16155	<b>R1-1789</b>		67	114,3	5	45	30	<b>98,80</b>
<b>Tucson</b>	2WD/2.0/2.0-CRDi / 4WD/2.0/2.0-CRDi/2.7-V6 Omologazione valida SOLO per il mercato tedesco	e4*2001/116*0087*	JM	07.04-02.10	6½ J x 16	215/65R16			16155	<b>R1-1789</b>		67	114,3	5	45	30	<b>98,80</b>
<b>Tucson</b>	1.6GDi/1.7CRDi/2.0CRDi	e11*2007/46*0192*	TLE	08.15-	6½ J x 16	215/70R16			16210	<b>R1-1926</b>		67	114,3	5	48	30	<b>98,80</b>

# Hyundai veicoli commerciali

Modello	Motorizzazioni	Omologazione del veicolo	Codice progetto	Anno di produzione	Misura ruota	Misura pneumatico			Disegno MWD	Disegno MW Aftermarket	Osservazioni	Dati tecnici				Pezzi per paletta	Prezzo EUR senza IVA
												Foro centrale	Interasse fori	Fori attacco	Offset		
H350	2.5 I CRDI	e9*2007/46*6265*	EU(V)	06.15-	6½ J x 16				16226	R1-1950		92,3	139,7	6	50	30	107,20

# Iveco veicoli commerciali



R1-988



R1-1251



R1-1347



R1-1348



R1-1832



R1-1913

Modello	Motorizzazioni	Omologazione del veicolo	Codice progetto	Anno di produzione	Misura ruota	Misura pneumatico			Disegno MWD	Disegno MW Aftermarket	Osservazioni	Dati tecnici				Pezzi per paletta	Prezzo EUR senza IVA
												Foro centrale	Interasse fori	Fori attacco	Offset		
Iveco Daily Eurocargo	60/65/75 ex Gianetti 15121		ML1	01.02-	6 J x 16	225/75R16			16015	R1-988		161	205	6	124	30	147,00
Iveco Daily S2000	29L.9/29L.11/355.9/355.11/355.13 ex Gianetti 15459	K664	S1	07.99-	6 J x 15	205/70R15	225/70R15		15135	R1-1251		71,1	118	5	68	40	90,00
Iveco Daily S2000	35/40/45/50 ex Gianetti 15486	K665, K687	S2/S3	11.00-	5 JK x 16	195/75R16			16072	R1-1347		130	170	6	109	30	94,00
Iveco Daily S2000	35/40 ex Gianetti 15491	K665	S2	11.00-	5½ J x 16	185/75R16	195/65R16		16073	R1-1348		130	170	6	107	30	125,00
Iveco Daily S2000	65 ex Gianetti 15121	K665	S4	11.00-	6 J x 16	225/75R16			16015	R1-988		161	205	6	124	30	147,00
Iveco Daily S2000	29L.9/29L.11 ex Gianetti 15911	K664	C25C/C25V	01.08-06.14	6½ J x 16	205/65R16	215/65R16		16101	R1-1832		74,1	125	6	68	30	147,00
Iveco Daily S2000	355 ex Gianetti 15911	K664	C30C/C30V	01.08-06.14	6½ J x 16	225/65R16	235/65R16		16101	R1-1832		74,1	125	6	68	30	147,00
Iveco Daily				07.14-	6½ J x 16				16214	R1-1913		74	125	6	68	30	145,00





R1-1944



R1-1962

Modello	Motorizzazioni	Omologazione del veicolo	Codice progetto	Anno di produzione	Misura ruota	Misura pneumatico			Disegno MWD	Disegno MW Aftermarket	Osservazioni	Dati tecnici				Pezzi per paletta	Prezzo EUR senza IVA
												Foro centrale	Interasse fori	Fori attacco	Offset		
Renegade	1.4/1.6TD/2.0TD	e3*2007/46*0300*	BU	10.14-	6½ J x 16				16238	R1-1962	N						106,00
Renegade	1.4/1.6TD/2.0TD	e3*2007/46*0300*	BU	10.14-	6½ J x 17	215/65R17			17016	R1-1944		65	110	5	40	25	83,80



R1-1181



R1-1354



R1-1355



R1-1511



R1-1520



R1-1571



R1-1572



R1-1573



R1-1581



R1-1631



R1-1693



R1-1694



R1-1708



R1-1709



R1-1751



R1-1775



R1-1789



R1-1819



R1-1821



R1-1828



R1-1853



R1-1854



R1-1884



R1-1914



R1-1927



R1-1928



R1-1978

Modello	Motorizzazioni	Omologazione del veicolo	Codice progetto	Anno di produzione	Misura ruota	Misura pneumatico			Disegno MWD	Disegno MW Aftermarket	Oscenazioni	Dati tecnici				Pezzi per paletta	Prezzo EUR senza IVA
												Foro centrale	Interasse fori	Fori attacco	Offset		
Carens	1.8i-16V-LS	e11*98/14*0121*	FC	04.00-07.02	5½ J x 14	185/65R14			14094	R1-1355		67	114,3	4	45	36	92,90
Carens	1.6i-16V/1.8i-16V/2.0i-16V/2.0CRDi	e11*98/14*0121*	FC	08.02-09.06	6 J x 15	195/60R15	205/60R15		15158	R1-1520		67	114,3	4	45	40	104,40
Carens II	1.6CVVT/2.0CVVT/2.0CRDi-VGT	e4*2001/116*0114*	FG	10.06-02.13	6 J x 15	205/65R15			15209	R1-1708		67	114,3	5	41	40	102,30
Carens III	1.6GDI/1.7CRDi/2.0GDI	e4*2007/46*0633*	RP	03.13-	6½ J x 15	205/55R16			16187	R1-1884		67	114,3	5	48,5	30	86,10
Carnival	2.5iV6-EX/LX/2.5i-V6/2.9TD-EX/LX/2.9CRDi	e11*98/14*0112*	UP	01.99-05.06	6 J x 15	215/65R15			15047	R1-1181	E	67	114	5	50	40	103,10
Carnival II	2.2CRDi-VGT/2.7V6/2.9CRDi-VGT	e4*2001/116*0112*, e1*KS07/46*0002*	MB	06.06-02.10	6½ J x 16	225/70R16			16103	R1-1709		92,5	139,7	6	46	40	115,70
Cee'd/Pro Cee'd Sporty Wagon	1.4CWT/1.6CVVT/1.6CRDi 90/1.6CRDi 115/2.0CVVT/2.0CRDi	e4*2001/116*0121*, e4*2007/46*0132*	ED	02.07-05.12	5½ J x 15	185/65R15	195/65R15		15206	R1-1693		67	114,3	5	47	48	84,70
Cee'd/Pro Cee'd Sporty Wagon	1.4CWT/1.6CVVT/1.6CRDi 90/1.6CRDi 115/2.0CVVT/2.0CRDi	e4*2001/116*0121*, e4*2007/46*0132*	ED	02.07-05.12	6 J x 16	205/55R16			16110	R1-1694		67	114,3	5	51	25	93,70
Cee'd/Pro Cee'd SW	1.4MT/1.4CRDi-MT/1.6CRDi-AT/1.6CRDi-MT/1.6GDI-MT	e4*2007/46*0496*, -/497*	JD	06.12-	6 J x 15	195/65R15			15252	R1-1854		67	114,3	5	46	40	85,20

<b>Cee'd/Pro Cee'd SW</b>	1.4MT/1.4CRDi-MT/1.6CRDi-AT/1.6CRDi-MT/1.6GDi-MT	e4*2007/46*0496*, -/497*	JD	06.12-	6½ J x 16	205/55R16			16176	<b>R1-1853</b>		67	114,3	5	51	30	<b>94,20</b>
<b>Cerato</b>	1.5CRDi/1.6i/2.0i/2.0-CRDi/EX/LX	e11*2001/116*0228*	FE	05.04-01.07	6 J x 15	185/65R15	195/60R15		15176	<b>R1-1573</b>		67	114,3	4	43	40	<b>105,40</b>
<b>Magentis</b>	2.0i-LX/SE/2.5iV6-SE	e4*98/14*0053*, e4*2001/116*0053*	GD	02.01-08.05	6 J x 15	205/60R15			15181	<b>R1-1581</b>		67	114,3	4	46	40	<b>90,20</b>
<b>Magentis</b>	2.0CVVT/2.0CRDi-VGT Omologazione valida SOLO per il mercato tedesco	e4*2001/116*0100*	GE	09.05-12.10	6½ J x 16	205/60R16			16155	<b>R1-1789</b>		67	114,3	5	45	30	<b>98,80</b>
<b>Picanto</b>	1.0i/1.1i	e4*2001/116*0085*	BA	04.04-04.11	4,00 B x 13	155/70R13			13116	<b>R1-1572</b>		54	100	4	46	63	<b>76,40</b>
<b>Picanto</b>	1.1i/1.1CRDi	e4*2001/116*0085*	BA	04.04-04.11	5 J x 14	165/60R14	175/60R14		14158	<b>R1-1571</b>		54	100	4	46	48	<b>84,10</b>
<b>Picanto II</b>	1.0/1.0LPG/1.2	fino a e4*2007/46*0256*08	TA	05.11-	4,00 B x 13	155/70R13			13116	<b>R1-1572</b>		54	100	4	46	63	<b>76,40</b>
<b>Picanto II</b>	1.0/1.0LPG/1.2	e4*2007/46*0256*	TA	05.11-	5 J x 14	165/60R14			14189	<b>R1-1819</b>		54	100	4	49	54	<b>83,00</b>
<b>Rio I</b>	1.3i-LS/RS/1.5i-LS/RS	e11*98/14*0132*	DC	09.00-06.05	5½ J x 14	175/65R14			14142	<b>R1-1511</b>		54	100	4	40	48	<b>89,00</b>
<b>Rio II</b>	1.4i/1.5CRDi-VGT/1.6CVVT	e4*2001/116*0093*	DE	07.05-08.11	5½ J x 14	185/65R14			14168	<b>R1-1631</b>		54	100	4	46	48	<b>87,60</b>
<b>Rio III</b>	1.1CRDi/1.2CVVT/1.4CRDi/1.4CVVT	e11*2007/46*0195*	UB	09.11-	5½ J x 15	185/65R15			15246	<b>R1-1828</b>		54	100	4	36	40	<b>82,50</b>
<b>Sephia II</b>	1.5SLX/1.6SLX/GTX/1.8i	G485, e13*95/54*0021*, e13*96/27*0021*	FA	10.95-04.98	5½ JJ x 14	185/60R14			14108	<b>R1-1354</b>		56	100	4	45	48	<b>92,10</b>
<b>Shuma I</b>	1.5i-LS/RS/1.8i-GS/LS/RS	e4*96/27*0024*, e4*98/14*0024*	FB	05.98-03.01	5½ JJ x 14	185/65R14			14108	<b>R1-1354</b>		56	100	4	45	48	<b>92,10</b>
<b>Shuma II</b>	1.6i-LS/RS/1.8i-LS/RS	e4*98/14*0024*	FB	04.01-04.04	5½ JJ x 14	185/65R14	195/60R14		14108	<b>R1-1354</b>		56	100	4	45	48	<b>92,10</b>
<b>Soul</b>	1.6CVVT/1.6CRDi	e4*2001/116*0139*, e4*2007/46*0133*	AM	04.09-04.14	6 J x 15	195/65R15			15226	<b>R1-1751</b>		67	114,3	5	44	40	<b>84,60</b>
<b>Soul II</b>	1.6CRDi/1.6GDi/2.0GDi/Electro EV	e4*2007/46*0825*, e9*2007/46*06160	PS/PSEV	05.14-	6½ J x 16	205/60R16			16216	<b>R1-1927</b>		67	114,3	5	47	30	<b>95,50</b>
<b>Sportage II</b>	2.0CVVT/2.0CRDi/2-WD 2.0CVVT/2.0CRDi/2.7V6/4-WD Omologazione valida SOLO per il mercato tedesco	e4*2001/116*0089*, e4*2001/116*0120*	JE/JES	12.04-04.10	6½ J x 16	215/65R16			16155	<b>R1-1789</b>		67	114,3	5	45	30	<b>98,80</b>
<b>Sportage III</b>	1.7CRDi/2.0/2.0CRDi/2WD/4WD Produzione Slovacchia	fino a e11*2007/46*0136*09	SLS	05.10-03.14	6½ J x 16	215/70R16			16167	<b>R1-1821</b>		67	114,3	5	31,5	30	<b>101,30</b>
<b>Sportage III</b>	2.0/2.0CRDi/2WD/4WD Produzione Sud Corea	e11*2007/46*0166*	SL	07.10-03.14	6½ J x 16	215/65R16	215/70R16	225/65R16	16167	<b>R1-1821</b>		67	114,3	5	31,5	30	<b>101,30</b>
<b>Sportage III (Facelift)</b>	1.6GDi/1.7CRDi/2.0CRDi/2.0CRDi-184/2.0GDi/2.0CVVT/ 2WD/4WD Produzione Slovacchia	a partire da e11*2007/46*0136*10	SLS	04.14-01.16	6½ J x 16	215/70R16			16217	<b>R1-1928</b>		67	114,3	5	36	30	<b>95,50</b>
<b>Sportage IV</b>		e11*2007/46*3144*, e11*2007/46*3139*	QL/QLE	02.16-	6½ J x 16	215/70R16			16235	<b>R1-1978</b>	N	67	114,3	5	42,5	30	<b>86,30</b>
<b>Venga</b>	1.4CVVT/1.4CRDi-75/90/1.6CVVT/1.6CRDi-115/128	e4*2007/46*0130*, -/0131*, -/261*, -/262*	YN/YNS	01.10-	6 J x 15	195/65R15			15231	<b>R1-1775</b>		67	114,3	5	48	40	<b>83,70</b>
<b>Venga</b>	1.4CVVT/1.4CRDi-75/90/1.6CVVT/1.6CRDi-115/128 per TPMS	e4*2007/46*0130*, -/0131*, -/261*, -/262*	YN/YNS	01.10-	6 J x 15	195/65R15	205/60R15		15279	<b>R1-1914</b>		67	114,3	5	48	40	<b>83,70</b>

# Lada



R1-926



R1-1011

Modello	Motorizzazioni	Omologazione del veicolo	Codice progetto	Anno di produzione	Misura ruota	Misura pneumatico			Disegno MWD	Disegno MW Aftermarket	Osservazioni	Dati tecnici				Pezzi per paletta	Prezzo EUR senza IVA
						165 R 13	165/70R13	175/70R13				Foro centrale	Interasse fori	Fori attacco	Offset		
1500 L	2107	D365	VAZ2107	05.98-	5,00 B x 13	165 R 13	165/70R13	175/70R13	13030	R1-926		60	98	4	29	54	77,70
Nova	2105	C387	VAZ 2105	05.98-	5,00 B x 13	165 R 13	165/70R13	175/70R13	13030	R1-926		60	98	4	29	54	77,70
Samara	1300/1500	e2*93/81*0177*, -/178*, -/178*, e2*98/14*0177*, -/178*, -/179*	2108/2109/21099	05.98-	5,00 B x 13	165/70R13	175/70R13		13001	R1-1011		58,5	98	4	40	54	75,80





R1-1456



R1-1470



R1-1475



R1-1524



R1-1638



R1-1677



R1-1804

Modello	Motorizzazioni	Omologazione del veicolo	Codice progetto	Anno di produzione	Misura ruota	Misura pneumatico			Disegno MWD	Disegno MW Aftermarket	Osservazioni	Dati tecnici				Pezzi per paletta	Prezzo EUR senza IVA
												Foro centrale	Interasse fori	Fori attacco	Offset		
Delta	1.4T-Jet/1.6MJT/1.9MJT/2.0MJT	e3*2001/116*0279*	844	09.08-	7 J x 16	195/55R16	205/55R16		16109	R1-1677		58	98	4	31	30	97,40
Musa	1.3D-Multijet-16V/1.4-8V/1.4-16V	e3*2001/116*0153*	350	01.05-12.12	6 J x 14	185/65R14			14172	R1-1638		58	98	4	40	54	64,90
Musa	1.3D-Multijet-16V/1.4-8V/1.4-16V/1.6D-Multijet-16V/1.9D-Multijet-8V	e3*2001/116*0153*	350	01.05-12.12	6 J x 15	195/60R15			15159	R1-1475		58	98	4	40	40	75,60
Phedra	2.0-16V/2.0JD/2.0D-Multijet-16V/2,2JTD ammessa solo su vetture che montano la ruota acciaio di serie	e2*98/14*0255*	179	09.02-08.10	6½ J x 15	205/65R15	215/65R15		15152	R1-1456		58	98	5	27	40	88,30
Phedra	2.0JTD-16V/2.2JTD-16V/3.0 V6-24V	e2*98/14*0255*	179	06.04-08.10	7 J x 16	215/60R16			16050	R1-1470		58	98	5	27	30	103,40
Thesis	2.0T/2.4/2.4JTD	e3*98/14*0093*	841	07.02-	6½ J x 16	215/60R16			16048	R1-1524		58	108	5	36,5	30	97,30
Ypsilon	1.2-8V/1.3D-Multijet/1.3D-Multijet-DFN/1.4-8V/1.4-16V	e3*2001/116*0149*	843	10.03-05.11	6 J x 14	185/65R14			14172	R1-1638		58	98	4	40	54	64,90
Ypsilon	1.2-8V/1.3D-Multijet/1.3D-Multijet-DFN/1.4-8V/1.4-16V	e3*2001/116*0149*	843	10.03-05.11	6 J x 15	195/55R15			15159	R1-1475		58	98	4	40	40	75,60
Ypsilon	0.9-8V/1.2-8V/1.3-Multijet-16V	e3*2007/46*0064*	312	06.11-	6 J x 15	185/55R15	195/50R15		15244	R1-1804		58	98	4	30	40	78,50

# Land Rover



R1-1645

Modello	Motorizzazioni	Omologazione del veicolo	Codice progetto	Anno di produzione	Misura ruota	Misura pneumatico			Disegno MWD	Disegno MW Aftermarket	Osser- vazioni	Dati tecnici				Pezzi per paletta	Prezzo EUR senza IVA
												Foro centrale	Interasse fori	Fori attacco	Offset		
Freelander II	2.2D-TD4	e11*2001/116*0300*	LF	12.06-	6½ J x 16	215/75R16			16084	R1-1645		63,3	108	5	50	25	92,40

# Mazda



R1-1076



R1-1195



R1-1218



R1-1464



R1-1504



R1-1507



R1-1720



R1-1721



R1-1722



R1-1748



R1-1766



R1-1767



R1-1818



R1-1867



R1-1883



R1-1929

Modello	Motorizzazioni	Omologazione del veicolo	Codice progetto	Anno di produzione	Misura ruota	Misura pneumatico			Disegno MWD	Disegno MW Aftermarket	Osservazioni	Dati tecnici				Pezzi per paletta	Prezzo EUR senza IVA
						Foro centrale	Interasse fori	Fori attacco				Offset					
121	1.3i/1.3i-16V/1.8D	e13*93/81*0010*, -/11*, e*13*95/54*0010*, -/11*	JASM/JBSM	03.96-03.03	5 J x 13	155/70R13	165/70R13		13054	R1-1076		63,3	108	4	43,5	54	55,30
121	1.3i/1.3i-16V/1.8D	e13*93/81*0010*, -/11*, e*13*95/54*0010*, -/11*	JASM/JBSM	03.96-03.03	5½ J x 14	165/65R14	175/65R14	185/55R14	14141	R1-1218		63,3	108	4	43,5	54	81,40
323S/323F	323-F/1.4i/1.5i/1.6i/1.8i/2.0i-TD/323-S/1.4i/1.6i	e1*97/27*0094*, e1*98/14*0094*, e1*98/14*0181*	BJ/BJD	09.98-09.03	5½ JJ x 14	175/65R14	185/65R14		14088	R1-1504		54	100	4	45	48	84,90
323F	2.0i-Sportive	e1*98/14*0094*	BJ	02.01-09.03	6 JJ x 15	195/55R15			15096	R1-1195		67	114,3	5	50	40	92,90
626	1.9i/2.0i/2.0TD	e1*96/27*0055*, e1*98/14*0055*, e1*98/14*0164*	GF/GF-GW/GFD-GWD	08.97-08.02	6 JJ x 15	185/65R15	195/60R15	195/65R15	15096	R1-1195		67	114,3	5	50	40	92,90
CX3	2.0WD SkyActiv-G120/2.0WD SkyActiv-G150	e1*2007/46*1335*	DJ1	02.15-	5½ J x 15	185/65R15			15278	R1-1929		54	100	4	40	40	80,30
Mazda 2	1.25-MZI/1.4-MZI/1.4MZ-CD/1.6-MZI	e1*2001/116*0212*	DY	04.03-09.07	5½ J x 14	175/65R14			14144	R1-1464		63,3	108	4	47,5	54	62,40
Mazda 2	1.3-MZR/1.4MZ-D/1.5MZ-i	e13*2001/116*0254*, -/255*, e13*2007/46*1070*	DE/DE1/DEE	10.07-01.15	6 J x 14	175/65R14	185/60R14		14180	R1-1720		54	100	4	45	54	76,80
Mazda 2	1.3-MZR/1.4MZ-D/1.5MZ-i	e13*2001/116*0254*, -/255*, e13*2007/46*1070*	DE/DE1/DEE	10.07-01.15	6 J x 15	185/55R15			15212	R1-1721		54	100	4	45	40	84,10
Mazda 2 (MY 2015)	Skyactiv-G75/G90	e1*2007/46*1335*	DJ1	02.15-	5½ J x 15	185/65R15			15278	R1-1929		54	100	4	40	40	80,30
Mazda 3	1.6MZR/1.6MZ-CD	fino a e11*2001/116*0262*09	BL	04.09-09.13	6 J x 15	195/65R15	205/60R15		15230	R1-1766		67	114,3	5	50	40	90,00
Mazda 3	1.6MZR/1.6MZ-CD/2.0MZR/2.0MZR-DISI/2.2MZR-CD	fino a e11*2001/116*0262*09	BL	04.09-09.13	6½ J x 16	205/55R16			16142	R1-1767		67	114,3	5	50	30	95,30
Mazda 3	Skyaktiv-D150/G100/G120/G165	a partire da e11*2001/116*0262*10	BL	10.13-	6½ J x 16	205/60R16			16188	R1-1883		67	114,3	5	50	30	82,40

# Mazda (segue)

Modello	Motorizzazioni	Omologazione del veicolo	Codice progetto	Anno di produzione	Misura ruota	Misura pneumatico			Disegno MWD	Disegno MW Aftermarket	Osservazioni	Dati tecnici				Pezzi per paletta	Prezzo EUR senza IVA
												Foro centrale	Interasse fori	Fori attacco	Offset		
<b>Mazda 5</b>	1.8-MZR/2.0-MZR/2.0-MZR-CD	e13*2001/116*0156*	CR1	08.05-09.10	6½ J x 16	205/55R16			16130	<b>R1-1748</b>		67	114,3	5	50	30	<b>125,70</b>
<b>Mazda 5</b>	1.6MZR/1.6MZ-CD/1.8MZR/2.0MZR-DISI	e1*2007/46*0433*	CW	10.10-	6½ J x 16	205/55R16			16165	<b>R1-1818</b>		67	114,3	5	52,5	30	<b>97,00</b>
<b>Mazda 6/Sport</b>	1.8MZR/2.0-MZR/2.0-MZR-CD/2.3-MZR/4x4	e1*98/14*0188*	GG/GY	09.02-06.05	6 JJ x 15	195/65R15			15145	<b>R1-1507</b>		67	114,3	5	50	88	<b>93,50</b>
<b>Mazda 6/Sport</b>	1.8MZR/2.0MZR/2.0MZR-CD	e11*2001/116*0203*	GG1	07.05-01.08	6 JJ x 15	195/65R15			15145	<b>R1-1507</b>		67	114,3	5	50	88	<b>93,50</b>
<b>Mazda 6</b>	1.8-MZR/2.0-MZR/2.0-MZR-CD/2.2-MZR-CD/2.5-MZR	fino a e1*2001/116*0448*13, e13*2007/46*1075*	GH/GHE	02.08-11.12	6 J x 16	195/65R16	205/60R16		16124	<b>R1-1722</b>		67	114,3	5	50	30	<b>92,50</b>
<b>Mazda-6</b>	2.0/2.2CD/2.5	e1*2007/46*1001*, a partire da e*2001/116*0448*14	GJ/GH	12.12-	6½ J x 16	215/65R16			16182	<b>R1-1867</b>		67	114,3	5	42	30	<b>84,50</b>
<b>MPV</b>	2.0i-16V	e1*98/14*0118*, e1*98/14*0165*	LW	09.99-08.02	6 JJ x 15	205/65R15			15096	<b>R1-1195</b>		67	114,3	5	50	40	<b>92,90</b>
<b>MPV</b>	2.0-MZR-CD	e1*98*/14*0118*	LW	09.02-12.05	6½ J x 16	215/60R16			16130	<b>R1-1748</b>		67	114,3	5	50	30	<b>125,70</b>
<b>Premacy</b>	1.9i/2.0i-16V/2.0TD	e1*98/14*0116*, e1*98/14*0161*	CP/CPD	06.99-05.05	6 JJ x 15	195/55R15			15096	<b>R1-1195</b>		67	114,3	5	50	40	<b>92,90</b>
<b>Tribute</b>	2.0i-2WD/2.0i-4WD	e4*98/14*0044*, -/52*, e13*2001/116*0090*, -/92*	EP/EP2	09.01-12.06	6½ J x 16	215/70R16			16130	<b>R1-1748</b>		67	114,3	5	50	30	<b>125,70</b>



# Mercedes



R1-1060



R1-1198



R1-1230



R1-1275



R1-1282



R1-1370



R1-1404



R1-1500



R1-1501



R1-1567



R1-1576



R1-1647



R1-1673



R1-1674



R1-1695



R1-1696



R1-1712



R1-1713



R1-1752



R1-1793



R1-1812



R1-1813



R1-1859



R1-1911



R1-1912



R1-1919



R1-1920



R1-1933

Modello	Motorizzazioni	Omologazione del veicolo	Codice progetto	Anno di produzione	Misura ruota	Misura pneumatico			Disegno MWD	Disegno MW Aftermarket	Osservazioni	Dati tecnici				Pezzi per palette	Prezzo EUR senza IVA
												Foro centrale	Interasse fori	Fori attacco	Offset		
A-Klasse/A-Klasse-L	A140/A160CDI/A140L	e1*96/79*0073*	168	12.98-09.04	5 J x 15	155/70R15			15115	R1-1370		66,5	112	5	44	40	80,50
A-Klasse/A-Klasse-L	A140/A160/A160CDI/A170CDI/A140L/A160L/A170CDI-L	e1*96/79*0073*	168	10.97-09.04	5½ J x 15	175/65R15	185/55R15	195/50R15	15060	R1-1275		66,5	112	5	54	40	77,60
A-Klasse	A150/A160CDI/A170/A180CDI	e1*2001/116*0288*	169	10.04-08.12	6 J x 15	185/65R15			15173	R1-1567		66,5	112	5	44	40	77,30
A-Klasse	A150/A160CDI/A170/A180CDI/A200/A200CDI/A200-Turbo	e1*2001/116*0288*	169	10.04-08.12	6 J x 16	195/55R16			16068	R1-1576		66,5	112	5	46	30	89,30

# Mercedes (segue)

Modello	Motorizzazioni	Omologazione del veicolo	Codice progetto	Anno di produzione	Misura ruota	Misura pneumatico			Disegno MWD	Disegno MW Aftermarket	Oscilla-zioni	Dati tecnici				Pezzi per paletta	Prezzo EUR senza IVA
												Foro centrale	Interasse fori	Fori attacco	Offset		
<b>A-Klasse</b>	160CDI/180/180CDI/180CDI-7G-DCT	e1*2007/46*0928*, e1*2001/116*0470*	176/245G	09.12-	6½ J x 15	195/65R15			15239	<b>R1-1813</b>		66,5	112	5	47	48	<b>78,00</b>
<b>A-Klasse</b>	160CDI/180/180CDI/180CDI-7G-DCT/200/200CDI/220CDI	e1*2007/46*0928*, e1*2001/116*0470*	176/245G	09.12-	6½ J x 16	205/55R16			16161	<b>R1-1812</b>		66,5	112	5	49	40	<b>90,20</b>
<b>B-Klasse</b>	150/170	e1*2001/116*0314*	245	05.05-10.11	6 J x 15	195/65R15			15173	<b>R1-1567</b>		66,5	112	5	44	40	<b>77,30</b>
<b>B-Klasse</b>	150/170/170NGT/180CDI/200/200CDI/200-Turbo	e1*2001/116*0314*, -/470*	245/245G	05.05-10.11	6 J x 16	205/55R16			16068	<b>R1-1576</b>		66,5	112	5	46	30	<b>89,30</b>
<b>B-Klasse</b>	160CDI/180/180CDI	e1*2007/46*0751*, e1*2001/116*0470*	246/245G	11.11-	6½ J x 15	195/65R15			15239	<b>R1-1813</b>		66,5	112	5	47	40	<b>78,00</b>
<b>B-Klasse</b>	160CDI/180/180CDI/200/200CDI/220CDI	e1*2007/46*0751*, e1*2001/116*0470*	246/245G	11.11-	6½ J x 16	205/55R16			16161	<b>R1-1812</b>		66,5	112	5	49	30	<b>90,20</b>
<b>C-Klasse</b>	180/200/200D/200CDI/220D/220CDI/230/230K/240/150TD/280	G363, e1*92/53*0001*, e1*93/81*0034*	H0/202	09.95-04.00	6½ J x 15	195/65R15			15090	<b>R1-1060</b>		66,5	112	5	37	40	<b>79,70</b>
<b>C-Klasse</b>	180/200/200K/200CDI/220CDI/240/250TD/280	e1*92/53*0001*, e1*93/81*0034*	H0/202	09.95-04.00	7 J x 16	205/55R16			16028	<b>R1-1198</b>		66,5	112	5	37	30	<b>94,80</b>
<b>C-Klasse/ Sportcoupé</b>	180/180K/200CDI/200CGI/200K/220CDI Sportcoupé 180/180K/200K/200CGI/220CDI	e1*98/14*0139*, -/158*, -/159*	203/203K/203CL	05.00-02.07	6½ J x 15	195/65R15			15090	<b>R1-1060</b>		66,5	112	5	37	40	<b>79,70</b>
<b>C-Klasse/ Sportcoupé</b>	180/180K/200CDI/200CGI/200K/220CDI/230K/240/270CDI/280/320 Sportcoupé 180/180K/200CDI/200CGI/220CDI/230K/320	e1*98/14*0139*, -/158*, -/159*	203/203K/203CL	05.00-02.07	7 J x 16	205/55R16	225/50R16		16028	<b>R1-1198</b>		66,5	112	5	37	30	<b>94,80</b>
<b>C-Klasse</b>	180K/180CGI/180CDI/200CDI/220CDI	fino a e1*2001/116*0431*28	204	07.07-08.14	6 J x 16	195/60R16			16102	<b>R1-1696</b>		66,5	112	5	39	40	<b>91,10</b>
<b>C-Klasse</b>	180K/180CGI/200K/200CGI/250CGI/280/300/4-matic / 180CDI/200CDI/220CDI/250CDI/350CDI/4-matic	fino a e1*2001/116*0431*28, fino a e1*2001/116*0457*24	204/204K	03.07-08.14	7 J x 16	205/55R16			16108	<b>R1-1695</b>		66,5	112	5	43	40	<b>99,30</b>
<b>C-Klasse Coupé</b>	180	fino a e1*2001/116*0431*32	204	01.12-	6 J x 16	195/60R16			16102	<b>R1-1696</b>		66,5	112	5	39	40	<b>91,10</b>
<b>C-Klasse Coupé</b>	180/200/220CDI/250/250CDI	fino a e1*2001/116*0431*32	204	01.12-	7 J x 16	205/55R16			16108	<b>R1-1695</b>		66,5	112	5	43	40	<b>99,30</b>
<b>C-Klasse (W205)</b>	C160/C180/C180-bluetec/C200 Solo Berlina	a partire da e1*2001/116*0431*29	204	04.14-	6 J x 16	195/65R16	205/60R16		16218	<b>R1-1919</b>		66,5	112	5	36	30	<b>85,00</b>
<b>CLA</b>	CLA 180/CLA 180 Blue Efficiency/CLA 200/CLA-220CDI	e1*2007/46*1007*, e1*2001/116*0470*	117/245G	04.13-	6½ J x 16	205/55R16			16161	<b>R1-1812</b>		66,5	112	5	49	30	<b>90,20</b>
<b>CLC Sportcoupé (Facelift)</b>	160/180K200K/200CDI/220CDI/250	e1*98/14*0159*19	203CL	05.08-02.11	7 J x 16	205/55R16			16028	<b>R1-1198</b>		66,5	112	5	37	30	<b>94,80</b>
<b>CLK</b>	Coupé 200/230K/Cabrio 200	e1*96/27*0054*	208	06.97-04.02	6½ J x 15	195/65R15			15090	<b>R1-1060</b>		66,5	112	5	37	40	<b>79,70</b>
<b>CLK</b>	Coupé 200/230K/320/Cabrio 200/230-K/320	e1*96/27*0054*	208	06.97-04.02	7 J x 16	205/55R16			16028	<b>R1-1198</b>		66,5	112	5	37	30	<b>94,80</b>
<b>CLK</b>	Coupé 200-K/220-CDI	e1*98/14*0184*	209	08.05-03.10	6½ J x 15	195/65R15			15090	<b>R1-1060</b>		66,5	112	5	37	40	<b>79,70</b>
<b>CLK</b>	Coupé 200-K/200-CGI-K/220-CDI/240/270-CDI/280/320 Cabrio 200-K/200-CGI/240/280/320	e1*98/14*0184*	209	05.02-03.10	7 J x 16	205/55R16			16028	<b>R1-1198</b>		66,5	112	5	37	30	<b>94,80</b>
<b>E-Klasse</b>	E200/E200CDI/E220D/E220CDI/E230/E270CDI/E300D	e1*93/81*0022*	210	06.95-03.02	6½ J x 15	195/65R15			15090	<b>R1-1060</b>		66,5	112	5	37	40	<b>79,70</b>
<b>E-Klasse</b>	E200-K/E200-CDI/E220-CDI/E230/E240/E280/4-matic	e1*98/14*0183*, e1*2001/116*0183*	211	04.02-12.09	7 J x 16	205/60R16			16039	<b>R1-1500</b>		66,5	112	5	33	30	<b>99,30</b>
<b>E-Klasse</b>	E200-CDI/E200-K/E200-NGT/E230/E220-CDI/E240/E270-CDI/E280/E280-CDI/E320/E320-CDI/E350/4-matic	e1*98/14*0183*, e1*2001/116*0183*, e1*2001/116*0213*, -/274*	211/211K/211G	04.02-12.09	7½ J x 16	225/55R16			16040	<b>R1-1501</b>		66,5	112	5	42	30	<b>111,70</b>

<b>GLA</b>	180/180CDI/200/200CDI/220CDI/250/4-matic	e1*2001/116*0470*	245G	03.14-	6½ J x 17	215/60R17			17013	<b>R1-1920</b>	66,5	112	5	38	25	<b>99,30</b>
<b>V-Klasse</b>	200/200CDI/220CDI/230/230TD/280	e9*95/54*0020*, e9*98/14*0020*, e9*2001/116*0020	638/2	09.96-07.03	5½ J x 15	195/70R15			15174	<b>R1-1230</b>	67	112	5	60	40	<b>108,20</b>
<b>V-Klasse (W447)</b>	V200CDI/V220CDI/V250CDI	a partire da e1*2007/46*0457*09, a partire da e1*2007/46*0458*08	639-2/639-4	06.14-	6½ J x 16	195/65R16	205/65R16	225/60R16	16207	<b>R1-1911</b>	66,5	112	5	52	30	<b>114,00</b>
<b>V-Klasse (W447)</b>	V200CDI/V220CDI/V250BlueTEC/V250CDI-4-matic	a partire da e1*2007/46*0457*09, a partire da e1*2007/46*0458*08	639-2/639-4	06.14-	6½ J x 17	225/55R17			17012	<b>R1-1912</b>	66,5	112	5	50	25	<b>122,00</b>
<b>Viano</b>	2.0CDI/2.2CDI/3.0i/3.2i	e9*2001/116*0048*	639	08.03-09.10	6 J x 16	195/65R16			16131	<b>R1-1752</b>	66,5	112	5	54	30	<b>115,70</b>
<b>Viano</b>	2.0CDI/2.2CDI/3.0CDI/3.0i/3.2i/3.5i	e9*2001/116*0048*	639	08.03-09.10	6½ J x 16	205/65R16	225/60R16		16156	<b>R1-1793</b>	66,5	112	5	60	30	<b>123,60</b>
<b>Viano II (Facelift)</b>	CDI-2.0	fino a e1*2007/46*0457*08	639/2	10.10-05.14	6 J x 16	195/65R16			16131	<b>R1-1752</b>	66,5	112	5	54	30	<b>115,70</b>
<b>Viano II (Facelift)</b>	CDI-2.0/CDI2.2/CDI3.0	fino a e1*2007/46*0457*08	639/2	10.10-05.14	6½ J x 16	205/65R16	225/60R16		16156	<b>R1-1793</b>	66,5	112	5	60	30	<b>123,60</b>

## Mercedes veicoli commerciali

Modello	Motorizzazioni	Omologazione del veicolo	Codice progetto	Anno di produzione	Misura ruota	Misura pneumatico			Disegno MWD	Disegno MW Aftermarket	Osservazioni	Dati tecnici				Pezzi per paletta	Prezzo EUR senza IVA
												Foro centrale	Interasse fori	Fori attacco	Offset		
<b>Citan</b>	108CDI/109CDI	e2*2007/46*0129*, e2*2007/46*0130*	X	10.12-	5½ J x 14	185/70R14			14181	<b>R1-1713</b>		60	100	4	45	54	<b>75,90</b>
<b>Citan</b>	108CDI/109CDI/111CDI/112	e2*2007/46*0129*, e2*2007/46*0130*	X	10.12-	6 J x 15	195/65R15			15214	<b>R1-1712</b>		60	108	5	44	48	<b>82,50</b>
<b>Sprinter I</b>	208CDI/211CDI/213/213CDI/216CDI/308CDI/310CDI/311CDI/312CDI/313CDI/314/316CDI/4x4	e1*98/14*0060*, -/21*, -/127*, -/128*, e1*2001/116*0127*, -/128*, K416, K471, K487, K623, K624,, K627, K641, K642, K719	A/B/C/D/902/903	01.00-03.06	6 J x 15	195/70R15	225/70R15		15119	<b>R1-1404</b>		84	130	5	75	40	<b>110,60</b>
<b>Sprinter I</b>	408D/410D/412D/414/512D	H182, H183, H184, H187, H188, H189, H550, H551, H872, H873	408D../412D../414../512D../904..	04.95-04.00	5½ J x 15	195/70R15			15170	<b>R1-1282</b>		161	205	6	108	40	<b>138,10</b>
<b>Sprinter I</b>	408CDI/411CDI/413CDI/414/416CDI/4x4	e1*98/14*0129*, e1*2001/116*0129*, K489, K626, K639, K640	E/904.6/904.6-KA/904.6-KA-4x4	05.00-03.06	5½ J x 15	195/70R15			15170	<b>R1-1282</b>		161	205	6	108	40	<b>138,10</b>
<b>Sprinter II</b>	209CDI/210CDI/211CDI/213CDI/215CDI/216/216CDI/218CDI/219CDI/224 Max 3,0 Ton	e1*2001/116*0353*, L763, L765	906-AC30/KA30/OK30	04.06-04.11	6½ J x 16	205/75R16	225/75R16	235/65R16	16095	<b>R1-1647</b>		84	130	6	62	30	<b>119,90</b>
<b>Sprinter II</b>	209CDI/210CDI/211CDI/213CDI/215CDI/216/216CDI/218CDI/219CDI/224 / 309CDI/310CDI/311CDI/313CDI/315CDI/316/316CDI/316NGT/LGT/318CDI/319CDI/324 Max 3,5 Ton	e1*2001/116*0353*, -/424*, e1*2007/46*0469*, -/556*, -/557*, L764, L766, L969, L970	906-AC35/AC35G/AC35-4x4/BA35G/BB35G/KA35/KA35-4x4/OK35/OK35-4x4	04.06-04.11	6½ J x 16	225/75R16	235/65R16		16095	<b>R1-1647</b>		84	130	6	62	30	<b>119,90</b>
<b>Sprinter II (Facelift)</b>	210CDI/213CDI/216/216CDI/219CDI/224/226/310CDI/313CDI/316/319CDI/326 Max 3,0 Ton	e1*2007/46*0279*, -/280*	906BA30/BB30	05.11-	6½ J x 16	205/75R16	225/75R16	235/65R16	16095	<b>R1-1647</b>		84	130	6	62	30	<b>119,90</b>
<b>Sprinter II (Facelift)</b>	210CDI/213CDI/216/219CDI/226/310CDI/313CDI/316/316LGT/316NGT/319CDI/324/326/413CDI/416CDI/419CDI Max 3,5 Ton	e1*2007/46*0300*, -/301*, -/305*, -/309*, -/310*, -/312*, -/556*, -/557*	906BA35/BB35/BA35G/BB35G/BA35-4x4/BB35-4x4	05.11-	6½ J x 16	225/75R16	235/65R16		16095	<b>R1-1647</b>		84	130	6	62	30	<b>119,90</b>
<b>Sprinter II (Facelift)</b>	510CDI/511CDI/513CDI/515CDI/516/516CDI/516NGT/518NGT/518CDI/519CDI/524/526/4x4 Montaggio in gemello	e1*2007/46*0294*, -/294*, -/295*, -/296*, -/299*, -/304*, -/307*, -/308*, -/311*	906BA50/906BA50-4x4/906BB50-4x4	05.06-06.13	5½ J x 16	195/75R16			16100	<b>R1-1674</b>		161	205	6	HMA 117	30	<b>155,30</b>

## Mercedes veicoli commerciali (segue)

Modello	Motorizzazioni	Omologazione del veicolo	Codice progetto	Anno di produzione	Misura ruota	Misura pneumatico			Disegno MWD	Disegno MW Aftermarket	Osservazioni	Dati tecnici				Pezzi per paletta	Prezzo EUR senza IVA
												Foro centrale	Interasse fori	Fori attacco	Offset		
<b>Sprinter II (Facelift)</b>	510CDI/511CDI/513CDI/515CDI/516/516CDI/516NGT/518NGT/518CDI/519CDI/524/526/4x4 Montaggio in gemello - può sostituire R1-1674	e1*2007/46*0294*, -/294*, -/295*, -/296*, -/299*, -/304*, -/307*, -/308*, -/311*	906BA50/906BA50-4x4/ 906BB50-4x4	07.13-	5½ J x 16	195/75R16	205/75R16		16180	<b>R1-1859</b>		161	205	6	HMA 117	30	<b>155,30</b>
<b>Sprinter II</b>	210CDI/213CDI/216CDI/219BlueTEC/216	e1*2001/116*0353*, L763, L765	906AC30	05.06-	5½ J x 16	205/75R16			16168	<b>R1-1673</b>		84	130	6	51	30	<b>119,90</b>
<b>Sprinter II</b>				05.06-	8½ J x 16	285/65R16			16203	<b>R1-1933</b>		161	205	6	63	30	<b>190,00</b>
<b>Vito-Vito-L</b>	108D/108CDI/110D/110CDI/112CDI/113/114	e9*93/81*0005*, e9*98/14*0005*, e9*2001/116*0005*, H396, H397, H398, K075, K393	638/638-1/108D-KA/ 110D-KA/113KA/114-KA	04.96-08.03	5½ J x 15	195/70R15			15174	<b>R1-1230</b>		67	112	5	60	40	<b>108,20</b>
<b>Vito II</b>	109CDI/111CDI/111CDI-4x4/115CDI/115CDI-4x4/119/122/123	e9*2001/116*0048*, L275, L720	639/639-4/639-5	08.03-09.10	6 J x 16	195/65R16			16131	<b>R1-1752</b>		66,5	112	5	54	30	<b>115,70</b>
<b>Vito II</b>	109CDI/111CDI/111CDI-4x4/115CDI/115CDI-4x4/119/120CDI/122/123/126	e9*2001/116*0048*, L275, L720	639/639-4/639-5	08.03-09.10	6½ J x 16	205/65R16	225/60R16		16156	<b>R1-1793</b>		66,5	112	5	60	30	<b>123,60</b>
<b>Vito II (Facelift)</b>	110CDI/113CDI	fino a e1*2007/46*0457*08, -/458*, -/459*	639-2/639-4/639-5	10.10-07.14	6 J x 16	195/65R16			16131	<b>R1-1752</b>		66,5	112	5	54	30	<b>115,70</b>
<b>Vito II (Facelift)</b>	110CDI/113CDI/116CDI/122CDI	fino a e1*2007/46*0457*08, -/458*, -/459*	639-2/639-4/639-5	10.10-04.14	6½ J x 16	205/65R16	225/60R16		16156	<b>R1-1793</b>		66,5	112	5	60	30	<b>123,60</b>
<b>Vito E-CELL</b>	Elektroantrieb	e1*KS07/46*0028*, e1*2007/46*0621*	639-2E/639-4E	05.12-07.14	6½ J x 16	205/65R16			16156	<b>R1-1793</b>		66,5	112	5	60	30	<b>123,60</b>
<b>Vito III/Tourer/Kasten/Mixto</b>	109CDI/111CDI/114CDI/116CDI/119BlueTEC	a partire da e1*2007/46*0458*08	639/4	08.14-	6½ J x 16	195/65R16	205/65R16	225/50R16	16207	<b>R1-1911</b>		66,5	112	5	52	30	<b>114,00</b>
<b>Vito III/Tourer/Kasten/Mixto</b>	109CDI/111CDI/114CDI/116CDI/119BlueTEC/4x4	a partire da e1*2007/46*0458*08, a partire da e1*2007/46*0459*06	639-4/639-5	08.14-	6½ J x 17	225/55R17			17012	<b>R1-1912</b>		66,5	112	5	50	25	<b>122,00</b>





R1-1417



R1-1493



R1-1802



R1-1915

Modello	Motorizzazioni	Omologazione del veicolo	Codice progetto	Anno di produzione	Misura ruota	Misura pneumatico		Disegno MWD	Disegno MW Aftermarket	Osservazioni	Dati tecnici				Pezzi per paletta	Prezzo EUR senza IVA
											Foro centrale	Interasse fori	Fori attacco	Offset		
<b>Mini One/Cooper/Cabrio</b>	1.4-16V/1.6D/1.6-16V Cabrio 1.6i-16V Non monta su Cooper S	e1*98/14*0168*, e1*2001/116*0231*, -/343*	R50/Mini/Mini-N	09.01-01.10	5½ J x 15	175/65R15		15142	<b>R1-1417</b>		56	100	4	45	48	<b>96,30</b>
<b>Mini One/Cooper/Cabrio</b>	1.4D/1.6i-16V/1.6i-16V Cooper / Cabrio 1.6i-16V/1.6i-16V Cooper, -S	e1*98/14*0168*, e1*2001/116*0231*	50/Mini	09.01-01.10	5½ J x 16	175/60R16		16049	<b>R1-1493</b>		56	100	4	45	30	<b>97,80</b>
<b>Mini One/Cooper/Cabrio</b>	1.4-16V/1.6D/1.6-16V Cabrio 1.6i-16V	fino a e1*2007/46*0371*09, -/369*	UKL-L/UKL-C	02.10-	5½ J x 15	175/65R15		15142	<b>R1-1417</b>		56	100	4	45	48	<b>96,30</b>
<b>Mini Clubman</b>	1.4-16V/1.6-16V/1.6D	e1*2001/116*0343*, e1*2007/46*0370*	Mini-N/UKL-K	10.07-08.15	5½ J x 15	175/65R15		15142	<b>R1-1417</b>		56	100	4	45	48	<b>96,30</b>
<b>Mini II One/Cooper (F55/F56)</b>	1.2/1.5/1.5D	a partire da e1*2007/46*0371*10	UKL-L	04.14-	5½ J x 15	175/65R15		15274	<b>R1-1915</b>		66,5	112	5	46	40	<b>88,50</b>
<b>Mini Countryman (R60)</b>	1.6/1.6D/2.0D/One/Cooper/ALL4	e1*2007/46*0496*, e24*2007/46*0023*	UKL-X/UKL-N1	09.10-	6½ J x 16	195/60R16	205/60R16	16157	<b>R1-1802</b>		72,5	120	5	46	30	<b>105,00</b>
<b>Mini Paceman</b>	1.6/1.6D/1.6JCW/2.0D/Cooper/ALL4	e1*2007/46*0563*	UKL-C/X	03.13-	6½ J x 16	195/60R16	205/60R16	16157	<b>R1-1802</b>		72,5	120	5	46	30	<b>105,00</b>

# Mitsubishi



R1-1183



R1-1574



R1-1575



R1-1737



R1-1753



R1-1805



R1-1806



R1-1822



R1-1880



R1-1900



R1-1951

Modello	Motorizzazioni	Omologazione del veicolo	Codice progetto	Anno di produzione	Misura ruota	Misura pneumatico			Disegno MWD	Disegno MW Aftermarket	Osservazioni	Dati tecnici				Pezzi per paletta	Prezzo EUR senza IVA
												Foro centrale	Interasse fori	Fori attacco	Offset		
ASX	1.8MIVEC/1.8D-D/2WD/4WD	e1*2007/46*0368*	GA0	07.10-	6½ JJ x 16	215/65R16	215/70R16		16166	R1-1822		67	114,3	5	46	30	106,00
Attrage	1.2 MIVEC	e1*2007/46*1230*	A10	11.14-	5 J x 14	175/65R14			14203	R1-1951		56	100	4	38	54	63,80
Colt/CZ3	1.1MPI/1.3MPI/1.5MPI/1.5DI-D	e1*2001/116*0271*, e1*2007/46*0618*	Z30/Z3V	05.04-12.12	5½ J x 14	175/65R14			14159	R1-1574		67	114,3	4	46	54	81,50
Colt/CZ3/CZT	1.1MPI/1.3MPI/1.5MPI/1.5DI-D	e1*2001/116*0271*, e1*2007/46*0618*	Z30/Z3V	05.04-12.12	6 J x 15	185/55R15	195/50R15		15177	R1-1575		67	114,3	4	46	40	95,30
Colt CZC	1.5i/1.5i-Turbo	e1*2001/116*0368*	Z38	05.06-12.12	6 J x 15	185/55R15	195/50R15		15177	R1-1575		67	114,3	4	46	40	95,30
Galant	1800TD/2000GLS/2500V6-24V	e4*95/54*0014*	EA0	01.98-03.01	6 J x 15	195/60R15	205/60R15		15100	R1-1183		67	114,3	4	46	40	89,60
Galant	2.0i/2.4GDI/2.5iV6-24V	e4*95/54*0014*	EA0	04.01-04.04	6 J x 15	195/60R15	205/60R15		15100	R1-1183		67	114,3	4	46	40	89,60
i-Miev	i-Miev Solo asse anteriore	e1*2007/46*0527*, -/619*	HAD/HAV	01.11-	4 J x 15	145/65R15			15242	R1-1805		56	100	4	35	40	93,20
i-Miev	i-Miev Solo asse posteriore	e1*2007/46*0527*, -/619*	HAD/HAV	01.11-	5 J x 15	175/55R15			15243	R1-1806		56	100	4	35	40	93,20
Lancer	1.3i/1.6i/2.0i	e1*2001/116*0233*	CS0	09.03-10.07	6 J x 15	195/55R15	195/60R15		15100	R1-1183		67	114,3	4	46	40	89,60
Lancer/Sportback	1.5MPI/1.5MIVEC/1.8MPI/1.8MIVEC/2.0DI-D	e1*2001/116*0441*	CY0	11.07-	6½ JJ x 16	205/60R16			16125	R1-1737		67	114,3	5	46	30	99,00
Space Star	1.0/1.2	e1*2007/46*0951*	A00	01.13-	4½ J x 14	165/65R14			14195	R1-1900		56	100	4	46	54	62,00
Outlander II	2.0DI-D/2.2DI-D/2.4/2.4MIVEC/4WD / 2.0MIVEC/2.4/2WD	fino a e1*2001/116*0406*14, -/482*	CWO/CWB	02.07-07.12	6½ JJ x 16	215/70R16			16132	R1-1753		67	114,3	5	38	30	104,80
Outlander III	2.0MIVEC/2.2DI-D/Hybrid 2.0PHEV	a partire da e1*2001/116*0406*15, e1*2007/46*1218*	CWO/GFO	08.12-	6½ J x 16	215/70R16			16141	R1-1880		67	114,3	5	38	30	90,90



Modello	Motorizzazioni	Omologazione del veicolo	Codice progetto	Anno di produzione	Misura ruota	Misura pneumatico			Disegno MWD	Disegno MW Aftermarket	Osservazioni	Dati tecnici				Pezzi per palette	Prezzo EUR senza IVA
												Foro centrale	Interasse fori	Fori attacco	Offset		
Almera	1.5i/1.5dCi/1.8i/2.2dCi	e11*98/14*0129*	N16	02.00-12.06	6 J x 15	175/70R15	185/65R15	195/60R15	15105	R1-1270		66	114,3	4	45	40	101,10
Almera Tino	1.6i/1.8i/2.0i-CVT/2.2dCi	e9*98/14*0035*	V10	09.00-02.06	6 J x 15	185/65R15	195/65R15		15175	R1-1479		66	114,3	5	40	40	88,10
Evalia	1.5-dci90/1.5-dci110/1.6-16V-110	e11*2007/46*0016*, -/17*, e2*2007/46*0185*	M20M/M20N	06.11-10.14	5½ J x 14	175/70R14			14188	R1-1811		66	114,3	4	45	54	83,00
Evalia	1.5-dci90/1.5-dci110/1.6-16V-110 Sostituisce R1-1811 per TPMS	e11*2007/46*0016*, -/17*, e2*2007/46*0185*	M20M/M20N	11.14-	5½ J x 14	175/70R14			14200	R1-1960		66	114,3	4	45	48	83,00
Juke	1.5dCi/1.6/1.6DIG-T/4x2/4x4	fino a e11*2007/46*0132*13	F15	12.10-05.14	6½ J x 16	205/60R16			16171	R1-1834		66	114,3	5	40	30	94,00
Juke	1.5dCi/1.6/1.6DIG-T/4x2/4x4	a partire da e11*2007/46*0132*14	F15	06.14-	6½ J x 16	205/60R16			16201	R1-1897		66	114,3	5	40	30	94,50
Leaf	Electric 80kW	e11*2007/46*0230*	ZEO	03.12-	6½ J x 16	205/55R16			16171	R1-1834		66	114,3	5	40	30	94,00
Micra	1.0i/1.2i/1.4i	e11*2001/116*0195*	K12	03.03-09.10	5 J x 14	165/70R14			14147	R1-1436		60	100	4	45	54	81,10
Micra/Micra CC	1.0i/1.2i/1.4i/1.5dCi/1.6i / CC 1.4i/1.6i	e11*2001/116*0195*	K12	03.03-09.10	5½ J x 15	175/60R15	175/65R15		15149	R1-1435		60	100	4	50	40	84,10

# Nissan (segue)

Modello	Motorizzazioni	Omologazione del veicolo	Codice progetto	Anno di produzione	Misura ruota	Misura pneumatico			Disegno MWD	Disegno MW Aftermarket	Osservazioni	Dati tecnici				Pezzi per paletta	Prezzo EUR senza IVA
												Foro centrale	Interasse fori	Fori attacco	Offset		
Micra	1.2VTC	e13*2007/46*1111*	K13	10.10-	5½ J x 14	165/70R14			14187	R1-1794		60	100	4	45	48	82,00
Micra	1.2VTC	e13*2007/46*1111*	K13	10.10-	5½ J x 15	175/60R15			15149	R1-1435		60	100	4	50	40	84,10
Navara MY 2016		e9*2007/46*6364*	D231	01.16-	6 J x 16	205R16C110			16229	R1-1965	N	66	114,3	6	55	30	92,50
Navara MY 2016		e9*2007/46*6364*	D231	01.16-	7 J x 16	255/70R16			16230	R1-1966	N	66	114,3	6	45	30	104,50
Note	1.4i/1.5dCi/1.6i	e11*2001/116*0268*	E11	03.06-09.13	5½ J x 15	175/65R15	185/65R15		15196	R1-1630		60	100	4	45	40	84,10
Note II	1.2/1.2DIG-S/1.5dCi/1.6i	e11*2007/46*0753*	E12	10.13-	5½ J x 15	185/55R15			15264	R1-1891		60	100	4	40	40	81,00
NV200 electric	e-NV 200	e11*2007/46*1339*, -/1340*	MEON	11.14-	5½ J x 14	175/70R14			14200	R1-1960		66	114,3	4	45	48	83,00
NV200 electric	e-NV 200	e11*2007/46*1339*, -/1340*	MEON	04.14-	6 J x 15	185/65R15			15272	R1-1898		66	114,3	5	45	40	88,00
Pixo	1.0i	e6*2001/116*0124*	HF	07.09-12.13	4½ J x 14	155/65R14			14185	R1-1763		54	100	4	45	63	68,30
Primera	1.6i/1.8i/2.0i/2.0TD/2.0i/Traveller 1.6i/1.8i/2.0i/2.0TD	e11*93/81*0060*	P11	09.96-03.02	6 J x 15	185/65R15	195/60R15		15105	R1-1270		66	114,3	4	45	40	101,10
Primera/Primera Traveller	1.6i/1.8i/1.9dCi/2.0i/2.2Di/2.2dCi	e11*98/14*0183*	P12	04.02-03.07	6½ JJ x 16	205/60R16			16033	R1-1434		66	114,3	5	40	30	103,10
Pulsar	1.2DIG-T/1.5dCi	e9*2007/46*3086*	C13	10.14-	6½ JJ x 16	195/60R16	205/55R16		16201	R1-1897		66	114,3	5	40	30	94,50
Qashqai	1.5dCi/1.6i/2.0i/2.0dCi/2.0CVT/2.0i-4x4/2.0dCi-4x4/2.0CVT-4x4	e11*2001/116*0295*	J10	02.07-	6½ J x 16	215/65R16			16111	R1-1740		66	114,3	5	40	30	99,50
Qashqai II	1.2DIG-T/1.5dCi/1.6dCi/1.6DIG-T	e11*2007/46*0963*	J11	03.14-	6½ JJ x 16	215/65R16			16201	R1-1897		66	114,3	5	40	30	94,50
Tiida	1.5dCi/1.6i/1.8i	e11*2001/116*0296*	C11	01.08-03.11	5½ JJ x 15	185/65R15	195/65R15		15218	R1-1728		66	114,3	4	40	48	85,80

# Nissan veicoli commerciali

Modello	Motorizzazioni	Omologazione del veicolo	Codice progetto	Anno di produzione	Misura ruota	Misura pneumatico			Disegno MWD	Disegno MW Aftermarket	Osservazioni	Dati tecnici				Pezzi per paletta	Prezzo EUR senza IVA
												Foro centrale	Interasse fori	Fori attacco	Offset		
<b>Cabstar</b>	2.5D/3.0D	e9*2007/46*0030*	F241	05.07-	5 J x 15	195/70R15			15238	<b>R1-1833</b>		130	170	5	106,5	40	<b>90,00</b>
<b>Cabstar</b>				-	5 J x 15				15289	<b>R1-1972</b>	N	130	170	6	106,5	40	<b>90,00</b>
<b>Interstar</b>	1.9dCi/2.2dCi/2.5dCi	K963, K964, L226, L223, L226, e2*2001/116*0273*	FDN/NDN/J3/F3/N3	01.03-10.11	6 J x 16	195/65R16	215/65R16	225/65R16	16026	<b>R1-1172</b>		89	130	5	66	30	<b>101,60</b>
<b>Kubistar</b>	1.2i/1.5dCi/1.6i	L195	F1	10.03-12.09	5½ J x 14	165/70R14	165/75R14	175/65R14	14075	<b>R1-1304</b>		60	100	4	36	48	<b>76,90</b>
<b>NV200</b>	1.5dCi90/1.5dCi110/1.6-16V-110	e11*2007/46*0016*, -/17*, e2*2007/46*0185*	M20M/M20N	11.09-	5½ JJ x 14	175/70R14			14188	<b>R1-1811</b>		66	114,3	4	45	54	<b>83,00</b>
<b>NV400</b>	2.3dCi	e2*2007/46*0137*, -/140*, -/142*	M1/M2/M9	12.11-	6½ J x 16	215/65R16	225/65R16	235/65R16	16147	<b>R1-1765</b>		89	130	5	66	25	<b>95,80</b>
<b>NV400</b>	2.3dCi	e2*2007/46*0137*, -/140*, -/142*	M1/M2/M9	12.11-	7 J x 16	235/65R16			16149	<b>R1-1764</b>		89	130	5	66	25	<b>98,60</b>
<b>NV400</b>	2.3dCi Montaggio in gemello - Portata asse posteriore kg 3.200	e2*2007/46*0137*, -/138*, -/140*, -/141*	M1/M2/M6/M7	12.11-	5½ J x 16	195/75R16			16148	<b>R1-1799</b>		142,1	200	6	117	25	<b>128,00</b>
<b>Primastar</b>	1.9-dCi/2.0i-16V/2.5dCi	K995, e2*98/14*0271*, e2*2007/46*0037*	F4/J4/4	10.06-	6 J x 16	195/65R16	205/65R16	215/65R16	16034	<b>R1-1373</b>		71	118	5	50	30	<b>95,10</b>
<b>Primastar</b>	1.6dCi	a partire da e2*2007/46*0037*, a partire da e2*98/14*0271*35	JA4/4	01.15-	6 J x 16	205/65R16	215/65R16		16202	<b>R1-1896</b>		66	114,3	5	50	30	<b>90,50</b>





R1-965



R1-1077



R1-1172



R1-1173



R1-1199



immagine  
non  
disponibile

R1-1294



R1-1318



R1-1332



R1-1357



R1-1364



R1-1373



R1-1398



R1-1463



R1-1478



R1-1483



R1-1508



R1-1559



R1-1560



R1-1561



R1-1586



R1-1588



R1-1596



R1-1648



R1-1650



R1-1662



R1-1666



R1-1717



R1-1718



R1-1741



R1-1764



R1-1765



R1-1776



R1-1777



R1-1783



R1-1786



R1-1792



R1-1799



R1-1866



R1-1896



R1-1907



R1-1932



R1-1934



immagine  
non  
disponibile

R1-1952



R1-1953



R1-1954

Modello	Motorizzazioni	Omologazione del veicolo	Codice progetto	Anno di produzione	Misura ruota	Misura pneumatico			Disegno MWD	Disegno MW Aftermarket	Oscer- zioni	Dati tecnici				Pezzi per paletta	Prezzo EUR senza IVA
												Foro centrale	Interasse fori	Fori attacco	Offset		
Adam	1.2/1.4	e1*2001/116*0379*	S-D	12.12-	5½ J x 14	175/70R14			14170	R1-1662		56,5	100	4	39	48	56,60
Adam	1.2/1.4/1.4LPG	e1*2001/116*0379*	S-D	12.12-	6 J x 15	185/60R15	185/65R15		15193	R1-1648		56,5	100	4	39	40	73,40
Adam	1.2/1.4/1.4LPG	e1*2001/116*0379*	S-D	12.12-	6 J x 16	195/55R16			16086	R1-1650		56,5	100	4	40	30	86,70
Agila	1.0i-12V/1.2i-16V/1.3CDTI	a partire da e1*98/14*0141*08	H00	10.03-02.08	4½ J x 14	155/65R14	165/60R14		14167	R1-1586		54	100	4	45	48	60,80
Agila	1.0i/1.2i/1.3CDTI/LPG	e4*2001/116*0135*, e50*2001/116*0010*	H-B/GMIA	03.08-	5 J x 14	165/70R14			14162	R1-1596		54	100	4	45	48	71,40
Agila	1.0i/1.2i/1.3CDTI/LPG	e4*2001/116*0135*, e50*2001/116*0010*	H-B/GMIA	03.08-	5½ J x 15	185/60R15			15216	R1-1717		54	100	4	50	40	75,80
Ampera	1.4 Hybrid	e13*2007/46*1159*	D1J01	01.12-	6½ J x 16	205/60R16			16144	R1-1777		70,3	115	5	41	30	89,30
Antara	2.0-CDTI/2.2CDTI/2.4i/3.0V6/3.2V6/Ecotec/4x2/4x4	e4*2001*116*0118*	L-A	10.06-	6½ J x 16	215/70R16			16150	R1-1792		70,3	115	5	46	34	127,80
Astra-F	1.4i/1.6i/1.7D/TD/TDS	F854, F857, F972, G065, G372, e1*96/79*0074*, e1*98/14*0074*, -/75*	F/F-CC/F-LFW/F-Cabrio/ T92/T92 Kombi	09.91-03.98	5½ J x 13	155 R 13	155/80R13	175/70R13	13022	R1-1398		56,5	100	4	46	54	71,50
Astra-F	1.4i/1.6i/1.7D/TD/1.8i/2.0i/GSi2.0-16V	G065, F857, G372, F854, F972	F/F-CC/F-LFW/ F-Caravan/F-Cabrio	09.91-03.98	5½ J x 14	175/65R14	185/60R14	195/60R14	14013	R1-1364		56,5	100	4	49	48	79,30
Astra-G	1.2i-16V/1.6i/1.6i-16V/1.7TD/1.8i-16V/Caravan 1.6i/ 1.6i-16V/1.7TD/1.8i-16V	e1*97/27*0086*, -/87*, e1*97/27*0092*, -/101*, e1*98/14*0086*, -/87*, -/101*	T98/T98NB/T98V/ T98-Kombi	04.98-03.04	5½ J x 14	165/70R14	175/70R14	185/65R14	14115	R1-1332		56,5	100	4	39	54	66,80
Astra-G	1.2i-16V/1.6i/1.6i-16V/1.7TD/1.8i-16V/Caravan 1.6i/ 1.6i-16V/1.7TD/1.8i-16V	e1*97/27*0086*, -/87*, e1*97/27*0101*, e1*98/14*0086*, -/87*, -/101*	T98/T98NB/T98-Kombi	04.98-03.04	5½ J x 14	165/70R14	175/70R14	185/65R14	14110	R1-1077		56,5	100	4	39	40	76,40
Astra-G	1.2i-16V/1.6i/1.6i-16V/1.7TD/1.8i-16V/Caravan 1.6i/ 1.6i-16V/1.7TD/1.7TDi/1.8i-16V	e1*97/27*0086*, -/87*, e1*97/27*0101*, e1*98/14*0086*, -/87*, -/101*	T98/T98NB/T98-Kombi	04.98-03.04	6 J x 15	185/65R15	195/60R15		15048	R1-1294		56,5	100	4	49	40	76,30
Astra-G	1.8i-16V/2.0i-16V/2.0Di/2.0DTi-16V/2.2i-16V/Caravan 1.8i-16V/2.0Di/2.0DTi-16V/2.2i-16V	e1*97/27*0086*, -/87*, e1*97/27*0101*, e1*98/14*0086*, -/87*, -/101*, e1*2001/116*0216*	T98/T98NB/T98-Kombi/ T98-CNG	04.98-03.04	6 J x 15	185/65R15	195/60R15		15092	R1-1318		65	110	5	49	40	81,80
Astra-G Coupé/ Cabrio	1.6i-16V/1.8i-16V	e1*98/14*0132*	T98C	02.00-04.05	6 J x 15	185/65R15	195/60R15		15048	R1-1294		56,5	100	4	49	40	76,30
Astra-G Coupé/ Cabrio	1.6i-16V/1.8i-16V/2.2i-16V	e1*98/14*0132*	T98C	02.00-04.05	6 J x 15	185/65R15	195/60R15		15092	R1-1318		65	110	5	49	40	81,80
Astra-H	1.4/1.4-Twinport eco Flex/1.6/Ecotec	e1*2001/116*0261*, -/293*, -/454*, e50*2001/116*0007*, e1*2007/46*0340*, -/341*, -/344*	A-H/(A-H-NB/A-H-SW/ GMIH	03.04-05.12	6½ J x 15	185/65R15	195/60R15	195/65R15	15164	R1-1559		56,5	100	4	35	40	76,10
Astra-H	1.4/1.4-Twinport eco Flex/1.6/Ecotec	e1*2001/116*0261*, -/293*, -/454*, e50*2001/116*0007*, e1*2007/46*0340*, -/341*, -/344*	A-H/(A-H-NB/A-H-SW/ GMIH	03.04-05.12	6½ J x 16	205/55R16			16058	R1-1561		56,5	100	4	37	30	90,50
Astra-H	1.3CDTI/1.6/1.7-CDTI/1.8/Ecotec	e1*2001/116*0261*, -/293*, -/454*, e1*2007/46*340*, -/341*, -/344*, e50*2001/116*0007*, -/08*	A-H/A-H-SW/A-H-NB/ GMIH/GMU	03.04-05.12	6½ J x 15	185/65R15	195/60R15	195/65R15	15144	R1-1463		65	110	5	35	40	74,90
Astra-H	1.3-CDTI/1.4/1.6/1.6-Turbo/1.7-CDTI/1.8/1.9-CDTI/ 2.0-Turbo/Ecotec	e1*2001/116*0261*, -/293*, -/454*, e1*2007/46*340*, -/341*, -/344*, e50*2001/116*0007*, -/08*	A-H/A-H-SW/A-H-NB/ GMIH/GMU	03.04-05.12	6½ J x 16	205/55R16			16057	R1-1560		65	110	5	37	30	89,40
Astra-H GTC	1.4/1.6/Ecotec	e4*2001/116*0094*	A-H/C	03.05-12.11	6½ J x 15	185/65R15	195/60R15	195/65R15	15164	R1-1559		56,5	100	4	35	40	76,10
Astra-H GTC	1.4/1.6/Ecotec	e1*2001/116*0094*	A-H/C	03.05-12.11	6½ J x 16	205/55R16			16058	R1-1561		56,5	100	4	37	30	90,50
Astra-H GTC	1.3CDTI/1.4/1.6/1.7CDTI/1.8/Ecotec	e4*2001/116*0094*	A-H/C	03.05-12.11	6½ J x 15	185/65R15	195/60R15	195/65R15	15144	R1-1463		65	110	5	35	40	74,90

Modello	Motorizzazioni	Omologazione del veicolo	Codice progetto	Anno di produzione	Misura ruota	Misura pneumatico			Disegno MWD	Disegno MW Aftermarket	Osservazioni	Dati tecnici				Pezzi per paletta	Prezzo EUR senza IVA
												Foro centrale	Interasse fori	Fori attacco	Offset		
<b>Astra-H GTC/Twintop</b>	Coupé/1.3CDTI/1.4/1.6/1.7CDTI/1.8/1.9CDTI/2.0-Turbo/ Ecotec Cabrio/1.6/1.8/1.9CDTI/2.0-Turbo/Ecotec	e4*2001/116*0094*	A-H/C	03.05-12.11	6½ J x 16	205/55R16			16057	<b>R1-1560</b>		65	110	5	37	30	<b>89,40</b>
<b>Astra-J/Sports-Tourer</b>	1.3CDTI/1.4/1.4Turbo/1.6	e1*2007/46*0141*, -/204*, e4*2007/46*0308*	P-J/-SW/-V	12.09-	6½ J x 16	205/55R16	205/60R16	215/60R16	16143	<b>R1-1776</b>		56,5	105	5	39	30	<b>89,30</b>
<b>Astra-J/Sports-Tourer</b>	1.6Turbo/1.7CDTI/2.0CDTI	e1*2007/46*0141*, -/204*, e4*2007/46*0308*	P-J/-SW/-SW-V	12.09-	6½ J x 16	205/55R16	205/60R16	215/60R16	16144	<b>R1-1777</b>		70,3	115	5	41	30	<b>89,30</b>
<b>Astra-J GTC</b>	1.4/1.4-Turbo/1.6-Turbo/1.6-SIDI-Turbo/1.7CDTI/2.0CDTI/ 2.0-BiTurbo CDTI	e4*2007/46*0204*	P-J/SW	01.12-	7 J x 17	225/55R17	235/55R17		17014	<b>R1-1932</b>		70,3	115	5	41	25	<b>105,30</b>
<b>Astra-K</b>	1.0Ecotec/1.4Ecotec/1.6Ecotec/1.6CDTI	e4*2007/46*0996*	B-K	12.15-	6 J x 15	195/65R15			15286	<b>R1-1952</b>		56,6	105	5	37	40	<b>66,30</b>
<b>Astra-K</b>	1.0Ecotec/1.4Ecotec/1.6Ecotec/1.6CDTI	e4*2007/46*0996*	B-K	12.15-	6½ J x 16	205/55R16			16225	<b>R1-1953</b>		56,6	105	5	41	30	<b>78,50</b>
<b>Cascada</b>	1.4/1.4-Turbo/1.6-SIDI Turbo	e4*2007/46*0204*	P-J/SW	05.13-	7 J x 17	225/55R17	235/55R17		17014	<b>R1-1932</b>		70,3	115	5	41	25	<b>105,30</b>
<b>Combo Combi/Tour</b>	1.3-CDTI/1.4i-Twinport/1.6i/1.7DI/1.7DTI	e1*98/14*0179*, DE*2007/46*0129*, e1*2007/46*0129*, -/291*	Combo-C/-Van	11.01-12.11	5½ J x 14	175/65R14	175/70R14		14165	<b>R1-1588</b>		56,5	100	4	49	48	<b>78,50</b>
<b>Combo Combi/Tour</b>	1.3-CDTI/1.4i-Twinport/1.6i/1.7DI/1.7DTI	e1*98/14*0179*, e1*20001/116*0327*, DE*2007/46*0129*, -/131*, e1*2007/46*0129*, -/131*, -/291*, -/293*, e4*2007/46*0299*	Combo-C/-Van/-V	11.01-12.11	6 J x 15	185/55R15	185/60R15		15222	<b>R1-1783</b>		56,5	100	4	49	40	<b>90,10</b>
<b>Combo Combi/Tour</b>	1.6-CNG/1.7-CDTI	e1*98/14*0179*, e1*20001/116*0327*, DE*2007/46*0129*, -/131*, e1*2007/46*0129*, -/131*, -/291*, -/293*	Combo-C/-CNG/-Van/-Van-CNG	11.01-12.11	6 J x 15	185/55R15	185/60R15	185/65R15	15092	<b>R1-1318</b>		65	110	5	49	40	<b>81,80</b>
<b>Corsa-B</b>	1.0Eco/1.2i/1.2i-16V/1.4i/1.4iS/1.4i-16V/1.5D/1.5TD/1.7D	G290, H393, e1*96/27*0053*, e1*98/14*0053*, e1*97/27*0098*, e1*98/14*0098*	Corsa-B/Corsa-B-LFW/ S93/S93 Kombi	03.93-09.00	5 J x 13	145 R 13	145/80R13	165/70R13	13033	<b>R1-965</b>		56,5	100	4	49	54	<b>53,90</b>
<b>Corsa-C</b>	1.0i-12V/1.2i-16V	e1*98/14*0148*	Corsa-C	10.00-08.06	5 J x 13	155/80R13			13050	<b>R1-1199</b>		56,5	100	4	43	63	<b>58,60</b>
<b>Corsa-C</b>	1.0i-12V/1.2i-16V/1.3CDTI/1.4i-16V/1.7DI-16V/1.7DTI-16V/ 1.8i-16V GSi	e1*98/14*0148*	Corsa-C	10.00-08.06	5½ J x 14	175/65R14			14132	<b>R1-1508</b>		56,5	100	4	49	54	<b>64,00</b>
<b>Corsa-C</b>	1.0i-12V/1.2i-16V/1.3CDTI/1.4i-16V/1.7DI-16V/1.7DTI-16V/ 1.8i-16V GSi	e1*98/14*0148*	Corsa-C	10.00-08.06	6 J x 15	185/55R15			15048	<b>R1-1294</b>		56,5	100	4	49	40	<b>76,30</b>
<b>Corsa-C</b>	1.7CDTI	e1*98/14*0148*	Corsa-C	07.03-08.06	6 J x 15	185/55R15			15092	<b>R1-1318</b>		65	110	5	49	40	<b>81,80</b>
<b>Corsa-D</b>	1.0i/1.2i/1.2LPG/1.3CDTI/1.4i/1.4LPG/Ecotec	fino a e1*2001/116*0379*29, E50*2001/116*0001*	S-D/GMIB	09.06-12.14	5½ J x 14	175/70R14	185/70R14		14170	<b>R1-1662</b>		56,5	100	4	39	48	<b>56,60</b>
<b>Corsa-D</b>	1.0i/1.2i/1.2LPG/1.3CDTI/1.4i/1.4LPG/Ecotec	fino a e1*2001/116*0379*29, E50*2001/116*0001*	S-D/GMIB	09.06-12.14	6 J x 15	185/60R15	185/65R15	195/60R15	15193	<b>R1-1648</b>		56,5	100	4	39	40	<b>73,40</b>
<b>Corsa-D</b>	1.0i/1.2i/1.2LPG/1.3CDTI/1.4i/1.4LPG/Ecotec	fino a e1*2001/116*0379*29, E50*2001/116*0001*	S-D/GMIB	09.06-12.14	6 J x 16	195/55R16			16086	<b>R1-1650</b>		56,5	100	4	40	30	<b>86,70</b>
<b>Corsa-D</b>	1.4-Turbo/1.6-Turbo-OPC/1.6-Turbo-GSi/1.7CDTI/Ecotec	fino a e1*2001/116*0379*29	S-D	09.06-12.14	6 J x 16	195/55R16	205/50R16		16087	<b>R1-1666</b>		65	110	5	40	30	<b>85,00</b>
<b>Corsa-E</b>	1.0/1.2/1.4	a partire da e1*2001/116*0379*30	S-D	12.14-	5½ J x 14	175/70R14	185/70R14		14170	<b>R1-1662</b>		56,5	100	4	39	48	<b>56,60</b>
<b>Corsa-E</b>	1.0/1.2/1.3CDTI/1.4/1.4-Turbo	a partire da e1*2001/116*0379*30	S-D	12.14-	6 J x 15	185/65R15			15193	<b>R1-1648</b>		56,5	100	4	39	40	<b>73,40</b>
<b>Corsa-E</b>	1.0/1.2/1.3CDTI/1.4/1.4-Turbo	a partire da e1*2001/116*0379*30	S-D	12.14-	6 J x 16	195/55R16			16086	<b>R1-1650</b>		56,5	100	4	40	30	<b>86,70</b>



<b>Corsa-E</b>	1.4-Turbo	a partire da e1*2001/116*0379*30	S-D	12.14-	6 J x 16	195/55R16			16087	<b>R1-1666</b>		65	110	5	40	30	<b>85,00</b>
<b>Insignia/Sports Tourer</b>	1.6/1.8/2.0-CDTI	e1*2001/116*0475*, e1*2007/46*0374*	OG-A	10.08-	6½ J x 16	205/60R16	215/60R16		16120	<b>R1-1718</b>		67	120	5	41	30	<b>89,50</b>
<b>Insignia/Sports Tourer</b>	1.6/1.8/2.0CDTI/2.0Turbo/2.8V6-Turbo/4x4 Sostituisce R1-1716	e1*2001/116*0475*, e1*2007/46*0374*, e1*2007/46*0860*, e50*2007/46*0139*, e50*2007/46*0009*	OG-A/OG-A/V/F-OGA1/ GMIC	10.08-	7 J x 17	215/55R17	225/50R17	225/55R17	17015	<b>R1-1934</b>		67	120	5	41	25	<b>104,90</b>
<b>Kadett</b>	1.3i/1.6i/1.6D/1.7D/1.8i/GSi2.0/GSi2.0-16V/Cabrio 1.3i/ 1.4i/1.6i/1.6S/2.0i/GSi2.0-16V	E023, E023/1, E023/2, E388, E388/1, D559, D559/1, D559/2, D560, D560/1, D560/2	E/E-CC/E-Cabrio	09.86-08.91	5½ J x 14	175/65R14	185/60R14	185/65R14	14013	<b>R1-1364</b>		56,5	100	4	49	48	<b>79,30</b>
<b>Karl</b>	1.0 ecoTEC	e1*2007/46*0957*	D-A	04.15-	5 J x 14	165/65R14			14201	<b>R1-1954</b>	N	56,5	100	4	38	48	<b>57,30</b>
<b>Meriva-A</b>	1.3CDTI/1.4/1.6/1.6/1.7DTi/1.8/Ecotec/LPG	e1*2001/116*0215*, E50*2001/116*0002*	X01 Monocab/GMIC	04.03-06.10	6 J x 15	185/60R15			15156	<b>R1-1478</b>		56,5	100	4	43	40	<b>84,10</b>
<b>Meriva-A/OPC</b>	1.7CDTi-Ecotec/1.8-Ecotec	e1*2001/116*0215*	X01 Monocab	06.03-06.10	6 J x 15	185/60R15			15046	<b>R1-1357</b>		65	110	5	43	40	<b>81,00</b>
<b>Meriva-B</b>	1.3CDTI/1.4/1.7CDTI	e4*2007/46*0165*	S-D Monocab B	07.10-	6½ J x 15	195/65R15			15144	<b>R1-1463</b>		65	110	5	35	40	<b>74,90</b>
<b>Meriva-B</b>	1.3CDTI/1.4/1.7CDTI	e4*2007/46*0165*	S-D Monocab B	07.10-	6½ J x 16	205/55R16			16057	<b>R1-1560</b>		65	110	5	37	30	<b>89,40</b>
<b>Mokka</b>	1.4-Turbo/1.4-LPG/1.6/1.7CDTi/4x4	e4*2007/46*0537*	J-A	10.12-	6½ J x 16	195/70R16	205/70R16	215/65R16	16181	<b>R1-1866</b>		56,6	105	5	38	30	<b>81,90</b>
<b>Omega-B</b>	2.0i/2.0Di/2.0DTi/2.0i-16V/2.2i-16V/2.2DTi-16V/2.5i-V6/ 2.5TD/2.5DDTi-24V/2.6i-V6/3.0i-MV6/3.2i-V6	G684, G685, e1*96/79*0077*, -/78*, e1*98/14*0077*, -/78*	B/B-Caravan/V94/ V94-Kombi	04.94-05.03	6½ J x 15	195/65R15	205/65R15		15076	<b>R1-1173</b>		65	110	5	33	40	<b>91,00</b>
<b>Signum</b>	1.6i/1.8i/1.9-CDTi/2.0-DTi/2.2-DTi/Ecotec	e1*2001/116*0214*, -/291*	Vectra/Signum/Z-C/S	05.03-03.09	6½ J x 15	195/65R15			15144	<b>R1-1463</b>		65	110	5	35	40	<b>74,90</b>
<b>Signum</b>	1.8i/2.0i-Turbo/1.9-CDTi/2.0-DTi/2.2i-direct/2.2DTi/ 2.8V6-Turbo/3.0V6-CDTi/3.2i-V6/Ecotec	e4*2001/116*0214*, -/291*	Vectra/Signum/Z-C/S	05.03-03.09	6½ J x 16	205/55R16	215/55R16		16045	<b>R1-1483</b>		65	110	5	41	30	<b>89,30</b>
<b>Tigra Twin Top</b>	1.3CDTI/1.4i Twinport/1.8i Ecotec	e11*2001/116*0227*	X-C/Roadster	09.04-12.09	6 J x 15	185/55R15			15156	<b>R1-1478</b>		56,5	100	4	43	40	<b>84,10</b>
<b>Tigra Twin Top</b>	1.3CDTI/1.4i Twinport/1.8i Ecotec	e11*2001/116*0227*	X-C/Roadster	09.04-12.09	6½ J x 15	185/60R15			15164	<b>R1-1559</b>		56,5	100	4	35	40	<b>76,10</b>
<b>Vectra-A</b>	1.6i/1.6iS/1.7D/TD/1.8i/1.8i-16V/2.0i/2000i-16V/ GT2.0i-16V/4x4	E947, E947/1, E948, E948/1, E951, E951/1	A/A-CC/A-X	09.88-08.92	5½ J x 14	175/70R14	195/60R14		14013	<b>R1-1364</b>		56,5	100	4	49	48	<b>79,30</b>
<b>Vectra-B</b>	1.6i/1.6i-16V/1.7TD/1.8i-16V/2.0Di/2.0DTi	e1*93/81*0030*, e1*95/54*0030*, -/44*	J96/J96-Kombi	10.95-03.02	5½ J x 14	175/70R14	185/70R14		14110	<b>R1-1077</b>		56,5	100	4	39	40	<b>76,40</b>
<b>Vectra-B</b>	1.6i/1.6i-16V/1.7TD/1.8i-16V/2.0Di	e1*93/81*0030*, e1*95/54*0030*, -/44*	J96/J96-Kombi	09.96-03.02	6 J x 15	195/65R15	205/60R15		15048	<b>R1-1294</b>		56,5	100	4	49	40	<b>76,30</b>
<b>Vectra-B</b>	1.6i-16V/1.8i-16V/2.0i-16V/2.2i-16V/2.2DTi-16V/2.5i-V6/ 2.6i-V6	e1*93/81*0030*, e1*95/54*0030*, -/44*, e1*98/14*0030*, -/44*	J96/J96-Kombi	10.95-03.02	6 J x 15	195/65R15	205/60R15		15092	<b>R1-1318</b>		65	110	5	49	40	<b>81,80</b>
<b>Vectra-C</b>	1.6i/1.8i/2.0i/2.0-DTi/2.2i/2.2-Dti/Ecotec	e1*98/14*0187*, e1*2001/116*0238*, -/290*, -/292*, e11*2001/116*0214*	Vectra-Lim/Z-C/Vectra- SW/Z-C-SW	04.02-03.09	6½ J x 15	195/65R15			15144	<b>R1-1463</b>		65	110	5	35	40	<b>74,90</b>
<b>Vectra-C</b>	1.6i/1.8i/1.9CDTi/2.0-DTi/2.2i/2.2-DTi/2.8V6-Turbo/ 3.0-V6-CDTi/3.2i-V6-GTS/Ecotec	e1*98/14*0187*, e1*2001/116*0290*, e11*2001/116*0214*	Vectra-Lim/Z-C	09.02-03.09	6½ J x 16	205/55R16	215/55R16		16045	<b>R1-1483</b>		65	110	5	41	30	<b>89,30</b>
<b>Vectra-C Caravan</b>	1.6i/1.8i/1.9CDTi/2.0-DTi/2.2i/2.2-DTi/2.8V6-Turbo/ 3.0V6-CDTi/3.2iV6-GTS/Ecotec	e1*2001/116*0238*, -/292*	Vectra-SW/Z-C-SW	06.03-03.09	6½ J x 16	205/55R16	215/55R16		16045	<b>R1-1483</b>		65	110	5	41	30	<b>89,30</b>
<b>Vivaro Life</b>	1.9Di/1.9DTi/2.0i/2.0-CDTI/2.5DTi/2.5-CDTI	e1*98/14*0170*	X83	10.06-08.14	6 J x 16	195/65R16	205/65R16	215/65R16	16034	<b>R1-1373</b>		71	118	5	50	30	<b>95,10</b>
<b>Zafira-A</b>	1.6i-16V/1.6CNG/1.8i-16V/2.0DTi-16V	e1*98/14*0110*, -/200*	T98-Monocab/CNG	03.99-07.05	6 J x 15	195/65R15			15046	<b>R1-1357</b>		65	110	5	43	40	<b>81,00</b>
<b>Zafira-B</b>	1.6/1.8/1.8LPG	e1*2001/116*0325*, E50*2001/116*0003*	A-H/Monocab/GMIG	08.05-	6½ J x 15	195/65R15			15144	<b>R1-1463</b>		65	110	5	35	40	<b>74,90</b>
<b>Zafira-B</b>	1.6/1.6CNG/1.7CDTi/1.8/1.8LPG/1.9CDTi/2.0-Turbo/ 2.2-Direct/Ecotec	e1*2001/116*0325*, -/378*, e50*2001/116*0003*, e1*2007/46*0497*	A-H/Monocab/-CNG/ GMIC	08.05-	6½ J x 16	195/60R16	205/55R16		16057	<b>R1-1560</b>		65	110	5	37	30	<b>89,40</b>
<b>Zafira-C Tourer</b>	1.4-Turbo/1.6CNG/1.8/2.0CDTI	e4*2007/46*0204*, -/308*	P-J/SW/P-J-SW-V	11.11-	6½ J x 16	215/60R16			16144	<b>R1-1777</b>		70,3	115	5	41	30	<b>89,30</b>

# Opel veicoli commerciali (segue)

Modello	Motorizzazioni	Omologazione del veicolo	Codice progetto	Anno di produzione	Misura ruota	Misura pneumatico			Disegno MWD	Disegno MW Aftermarket	Osservazioni	Dati tecnici				Pezzi per paletta	Prezzo EUR senza IVA
												Foro centrale	Interasse fori	Fori attacco	Offset		
Astra-Van	1.6i/1.7D/2.0D	K182	Astra-G-Van	07.98-04.05	5½ J x 14	175/70R14	185/65R14	185/70R14	14110	R1-1077		56,5	100	4	39	40	76,40
Astra-Van	1.6i/1.7D/2.0D	K182	Astra-G-Van	07.98-04.05	6 J x 15	185/55R15	195/50R15		15048	R1-1294		56,5	100	4	49	40	76,30
Astra-H/Van	1.3CDTi/1.7CDTi	e1*2007/46*0576*	A-H/Van	01.11-	6½ J x 15	195/65R15			15144	R1-1463		65	110	5	35	40	74,90
Astra-H/Van	1.3CDTi/1.7CDTi/1.9CDTi/2.0CDTi	e1*2007/46*0576*	A-H/Van	01.11-	6½ J x 16	205/55R16			16057	R1-1560		65	110	5	37	30	89,40
Astra-J Van	1.3CDTi/1.4/1.6	e4*2007/46*0309*	P-J/V	12.11-	6½ J x 16	205/60R16	215/60R16		16143	R1-1776		56,5	105	5	39	30	89,30
Astra-J Van	1.7CDTi	e4*2007/46*0309*	P-J/V	12.11-	6½ J x 16	205/60R16	215/60R16		16144	R1-1777		70,3	115	5	41	30	89,30
Combo-C	1.3-CDTi/1.4i-Twinport/1.6i/1.7DI/1.7DTi/Ecotec	e1*98/14*0179*, DE*2007/46*0129*, e1*2007/46*0129*,-/291*, K886	Combo-C/Van	11.01-12.11	5½ J x 14	175/65R14	175/70R14		14165	R1-1588		56,5	100	4	49	48	78,50
Combo-C	1.3-CDTi/1.4i-Twinport/1.6i/1.6CNG/1.7DI/1.7DTi/Ecotec	e1*98/14*0179*, e1*2001/116*0327*, DE*2007/46*0129*, e1*2007/46*0129*,-/131*,-/291*,-/293*, e4*2007/46*0299*, K886, L620	Combo-C/-CNG/-Van/-V	06.02-12.11	6 J x 15	185/55R15	185/60R15		15222	R1-1783		56,5	100	4	49	40	90,10
Combo-C	1.6CNG/1.7CDTi/Ecotec	e1*98/14*0179*, e1*2001/116*0327*, DE*2007/46*0129*,-/131*, e1*2007/46*0129*,-/131*,-/291*,-/293*, K886, L620	Combo-C/-CNG/-Van/-Van-CNG	06.02-12.11	6 J x 15	185/55R15	185/60R15	185/65R15	15092	R1-1318		65	110	5	49	40	81,80
Combo-D	1.3CDTi/1.4/1.6CDTi	e3*2007/46*0076*,-/79*	Combo-D/Combo-D-Van	12.11-10.14	6 J x 15	185/65R15	195/65R15		15232	R1-1741		58	98	5	39	40	76,30
Combo-D	1.3CDTi/1.4/1.6CDTi/2.0CDTi	e3*2007/46*0076*,-/79*	Combo-D/Combo-D-Van	12.11-10.14	6 J x 16	195/60R16			16154	R1-1786		58	98	5	36,5	30	89,00
Combo-D	1.3CDTi/1.4/1.4-Turbo/1.4CNG-Turbo/1.6CDTi/2.0CDTi	e3*2007/46*0076*,-/79*	Combo-D/Combo-D-Van	12.11-	6 J x 16	195/60R16			16204	R1-1907		58	98	5	36,5	30	85,00
Corsa-B-Van	1.7D	H393	B-LFW	01.96-10.01	5 J x 13	145 R13	145/80R13	165/70R13	13033	R1-965		56,5	100	4	49	54	53,90
Corsa-C Van	1.2i	L659	Corsa-C-Van	07.05-02.11	5 J x 13	155/80R13			13050	R1-1199		56,5	100	4	43	63	58,60
Corsa-C Van	1.2i/1.3-CDTi/1.4i/Ecotec	L659	Corsa-C-Van	07.05-02.11	5½ J x 14	175/65R14			14165	R1-1588		56,5	100	4	49	48	78,50
Corsa-C Van	1.2i/1.3-CDTi/1.4i/Ecotec	L659	Corsa-C-Van	07.05-02.11	6 J x 15	185/55R15			15222	R1-1783		56,5	100	4	49	40	90,10
Corsa-C Van	1.7CDTi-Ecotec	L659	Corsa-C-Van	07.05-02.11	6 J x 15	185/55R15			15092	R1-1318		65	110	5	49	40	81,80
Corsa-D Van	1.0/1.2/1.3CDTi	fino a e1*2007/46*0505*08, fino a e50*2007/46*0055*04	S-D/-Van/-V	12.10-03.15	5½ J x 14	185/70R14			14170	R1-1662		56,5	100	4	39	48	56,60
Corsa-D Van	1.0/1.2/1.3CDTi	fino a e1*2007/46*0505*08, fino a e50*2007/46*0055*04	S-D/-Van/-V	12.10-03.15	6 J x 15	185/60R15	185/65R15	195/60R15	15193	R1-1648		56,5	100	4	39	40	73,40
Corsa-D Van	1.0/1.2/1.3CDTi	fino a e1*2007/46*0505*08, fino a e50*2007/46*0055*04	S-D/-Van/-V	12.10-03.15	6 J x 16	195/55R16			16086	R1-1650		56,5	100	4	40	30	86,70
Corsa-E Van	1.2/1.4	a partire da e1*2007/46*0505*09	S-D/Van	04.15-	5½ J x 14	175/70R14	185/70R14		14170	R1-1662		56,5	100	4	39	48	56,60
Corsa-E Van	1.2/1.3CDTi/1.4	a partire da e1*2007/46*0505*09	S-D/Van	04.15-	6 J x 15	185/65R15			15193	R1-1648		56,5	100	4	39	40	73,40
Corsa-E Van	1.2/1.3CDTi/1.4	a partire da e1*2007/46*0505*09	S-D/Van	04.15-	6 J x 16	195/55R16			16086	R1-1650		56,5	100	4	40	30	86,70
Meriva-B Van	1.7CDTi	e4*2007/46*0271*	S-D/Monocab B/V	01.11-	6½ J x 16	195/60R16	205/55R16		16057	R1-1560		65	110	5	37	30	89,40



<b>Movano</b>	1.9DTi/2.2DTi/2.5DTi/2.5-CDTi/2.8DTi/3.0DTi	e2*98/14*0130*, e1*98/14*0178*, K155, K156, K157, K158, K159, L393	J9/J9-AOAG/H9/F9/U9/E9/G9/N9	08.00-02.10	6 J x 16	195/65R16	215/65R16	225/65R16	16026	R1-1172		89	130	5	66	30	<b>101,60</b>
<b>Movano II</b>	2.3CDTi	e1*2007/46*0362*, -/405*, -/471*, -/579*	MR/MS/MT/MW	03.10-	6½ J x 16	215/65R16	225/65R16	235/65R16	16147	R1-1765		89	130	5	66	25	<b>95,80</b>
<b>Movano II</b>	2.3CDTi	e1*2007/46*0362*, -/405*, -/471*, -/472*	MR/MS/MT/MU	03.10-	5½ J x 16	195/75R16			16148	R1-1799		142,1	200	6	117	25	<b>128,00</b>
<b>Movano II</b>	2.3CDTi	e1*2007/46*0362*, -/471*, -/579*	MR/MS/MW	03.10-	7 J x 16	235/65R16			16149	R1-1764		89	130	5	66	25	<b>98,60</b>
<b>Vivaro II</b>	1.9D/1.9DTi/2.0i/2.0-CDTi/2.5DTi/2.5-CDTi	e1*98/14*0170*, e1*2007/46*0575*, K830, L048	X83/E7/F7	10.06-08.14	6 J x 16	195/65R16	205/65R16	215/65R16	16034	R1-1373		71	118	5	50	30	<b>95,10</b>
<b>Vivaro III</b>	1.6CDTi/1.6BiTurbo CDTi	a partire da 2007/46*0575*12, a partire da e1*98/14*0170*30	F7/X83	09.14-	6 J x 16	205/65R16	215/65R16		16202	R1-1896		66	114,3	5	50	30	<b>90,50</b>
<b>Zafira-B Van</b>	1.6CNG-Turbo/1.7CDTi	e1*2007/46*0595*	A-H/Monocab/V	01.11-	6½ J x 16	195/60R16	205/55R16		16057	R1-1560		65	110	5	37	30	<b>89,40</b>

# Peugeot



R1-933



R1-956



R1-957



R1-1087



R1-1150



R1-1278



R1-1287



R1-1300



R1-1320



R1-1334



R1-1369



R1-1372



R1-1456



R1-1470



R1-1476



R1-1582



R1-1583



R1-1601



R1-1635



R1-1636



R1-1640



R1-1643



R1-1651



R1-1663



R1-1664



R1-1675



R1-1679



R1-1681



R1-1700



R1-1701



R1-1735



R1-1753



R1-1769



R1-1778



R1-1781



R1-1782



R1-1805



R1-1806



R1-1880



R1-1881



R1-1882



R1-1889



R1-1890



R1-1908



R1-1909



R1-1910



R1-1930



R1-1931



R1-1980

Modello	Motorizzazioni	Omologazione del veicolo	Codice progetto	Anno di produzione	Misura ruota	Misura pneumatico			Disegno MWD	Disegno MW Aftermarket	Osservazioni	Dati tecnici				Pezzi per paletta	Prezzo EUR senza IVA
						Foro centrale	Interasse fori	Fori attacco				Offset					
106	1.0i/1.1i	G128, F888	1A/1C	07.92-05.96	5,00 B x 13	145/70R13	155/70R13	165/65R13	13023	R1-933		65	108	4	20	54	69,70
106	1.0i/1.1i/1.4i/1.5D/1.6i Automatic	e2*93/81*0047* fino a -/52*, -/55*, -/56*, -/96*, e2*98/14*0047* fino a -/52*, -/55*, -/56*, -/196*, -/210*, -/211*	1*CDY/CDZ/HDY/KFX/NFZ/VJY/VJZZ/VJX/HFX/KFW	06.96-12.03	5,00 B x 13	155/70R13	165/70R13		13023	R1-933		65	108	4	20	54	69,70
107	1.0i/1.4HDi	fino a e11*2001/116*0237*10	P/P*****	08.05-06.14	4½ J x 14	155/65R14			14163	R1-1601		54	100	4	39	54	66,70
108	68VTi/82VTi	a partire da e11*2001/116*0237*11	P*****	07.14-	4½ J x 14	165/65R14			14198	R1-1930		54	100	4	35	54	66,70
108	68VTi/82VTi	a partire da e11*2001/116*0237*11	P*****	07.14-	4½ J x 15	165/60R15			15275	R1-1931		54	100	4	35	40	75,50
1007	1.4i/1.4HDi	e2*2001/116*0300*	K	05.05-12.09	5½ J x 14	175/65R14			14143	R1-1150		65	108	4	24	54	65,00
1007	1.4i/1.4HDi/1.6HDi/1.6i-16V	e2*2001/116*0300*	K	05.05-12.09	6 J x 15	185/60R15			15101	R1-1372		65	108	4	27	40	75,00
205	XS/GR/GT/CT/1.8D/1.9GTi/Cabrio 1.1CJ/1.4CJ/1.6CJ	D091/2, D390/1, D390/2, E174/1, E174/2, e2*93/81*0205*	20A/20C/20D/20	09.82-12.88	5,00 B x 13	145 R 13	155/70R13	165/70R13	13083	R1-1300		65	108	4	28	63	68,70
206	1.1i/1.4i/1.9D	e2*93/81*0168*, -/169*, -/170*, -/85*, -/173*, e2*98/14*0168*, -/173*, -/212*, -/237*, -/85*	2*HFZ/HFY/KFX/WJY/WJ/KFW/HFX	10.98-02.09	5,00 B x 13	165/70R13	175/70R13		13083	R1-1300		65	108	4	28	63	68,70
206/SW	1.1i/1.4i/1.4HDi/1.6i/1.6i-16V/1.9D/2.0HDi	e2*93/81*0168* fino a -/171*, -/173*, -/174*, -/085*, e2*98/14*0168*, -/171*, -/173*, -/174*, -/212*, -/237*, -/238*, -/250, -/085*, e2*2001/116*0291*, -/311*	2*HFZ/HFY/KFX/NFZ/WJZ/RHY/HFX/WJY/KFW/NFU/8HX/KFU/8HZ	10.98-02.09	5½ J x 14	175/65R14	185/65R14		14091	R1-1320		65	108	4	34	54	66,00
206/SW	1.4i/1.6i-16V/1.6HDi/1.6HDiFAP/2.0i-16V/2.0i-16V-Turbo/2.0HDi	e2*98/14*0238*, -/239*, -/174*, e2*2001/116*0269*, -/291*, -/310*	2*NFU/RFN/RHY/RFK/9HZ/9HX/KFU	08.00-02.09	6 J x 15	185/55R15	195/55R15		15101	R1-1372		65	108	4	27	40	75,00
206 CC	1.6i-16V/2.0i-16V	e2*98/14*0238*, -/239*	2*NFU/RFN	03.01-03.07	6 J x 15	185/55R15	195/55R15		15101	R1-1372		65	108	4	27	40	75,00
206 Plus	1.1/1.4/1.4HDi	fino a e2*2001/116*0374*01	2*****	01.09-12.12	5½ J x 14	175/65R14			14091	R1-1320		65	108	4	34	54	66,00
206 Plus	1.1/1.4/1.4HDi	a partire da e2*2001/116*0374*02	2*****	01.09-12.12	5½ J x 14	175/65R14			14143	R1-1150		65	108	4	24	54	65,00
206 Plus	1.4/1.4HDi	e2*2001/116*0374*	2*****	01.09-12.12	6 J x 15	185/60R15			15101	R1-1372		65	108	4	27	40	75,00
207/SW	1.4i/1.4i-16V/1.4HDi/1.6VTi/1.6HDi	e2*2001/116*0340*	W*****	06.06-	6 J x 15	185/65R15			15195	R1-1651		65	108	4	23	40	71,30
207/SW/CC	1.6i-16V/1.6VTi/1.6THP/1.6HDi	e2*2001/116*0340*	W*****	06.06-	6 J x 16	195/55R16			16003	R1-1640		65	108	4	27	30	83,50
208	1.0VTi/1.2VTi/1.4VTi/1.4HDi/1.6VTi/1.6HDi	e2*2007/46*0070*	C	04.12-	6 J x 15	185/65R15			15195	R1-1651		65	108	4	23	40	71,30
208	1.0VTi/1.2VTi/1.4VTi/1.4HDi/1.6HDi/1.6THP/1.6VTi	e2*2007/46*0070*	C	04.12-	6 J x 16	195/55R16			16152	R1-1781		65	108	4	23	30	83,80



# Peugeot (segue)

Modello	Motorizzazioni	Omologazione del veicolo	Codice progetto	Anno di produzione	Misura ruota	Misura pneumatico		Disegno MWD	Disegno MW Aftermarket	Osservazioni	Dati tecnici				Pezzi per paletta	Prezzo EUR senza IVA	
											Foro centrale	Interasse fori	Fori attacco	Offset			
2008	1.2-82VTi/1.6-120VTi/1.4HdI-68/1.6HdI-92/100/115	e2*2007/46*0070*11	C	06.13-	6½ J x 15	195/65R15			15261	R1-1889		65	108	4	20	40	71,90
2008	1.2-82VTi/1.6-120VTi/1.4HdI-68/1.6HdI-92/100/115/130	e2*2007/46*0070*11	C	06.13-	6½ J x 16	195/60R16			16189	R1-1890		65	108	4	20	30	77,10
301	1.2/1.6/1.6DCI	e2*2007/46*0224*	D	12.12-	6 J x 15	185/65R15			15195	R1-1651		65	108	4	23	40	71,30
306	1.4i/1.6i	G264, e2*93/81*0147*	7/7*KFX	03.93-08.01	5,00 B x 13	165/70R13	175/70R13		13023	R1-933		65	108	4	20	54	69,70
306	1.4i/1.6i/1.6i-16V/1.8i/1.8i-16V/1.8d/1.9d/1.9dt/2.0i-16V/2.0HdI/Cabrio 1.6i/1.8i	e2*93/81*0144* fino a -/151*, -/167*, -/190*, -/081*, -/086*, e2*98/14*0081*, -/148*, -/240*, -/241*	7*A9A/DHY/DJY/KFX/LFY/LFZ/NFZ/REV/DHV/WJZ/RHY/WJY/NFT	04.97-02.01	5½ J x 14	185/65R14			14066	R1-1287		65	108	4	24	48	79,40
306	1.6i-16V/1.8i/2.0HdI	e2*98/14*0081*, -/148*, -/241*	7*LFY/NFT/RHY	07.00-02.01	6 J x 15	195/55R15			15180	R1-1087		65	108	4	18	40	84,30
307/SW/Break	1.4i/1.4HdI/1.6i-16V/1.6HdI-FAP/2.0i/2.0HdI/2.0HdI-FAP	e2*98/14*0242*, -/243*, -/245*, -/251*, e2*2001/116*0287*, -/288*, -/299*, -/301*, -/333*	3*NFU/RHY/KFW/8HZ/KFU/9HY/9HZ/9HX/9HV	09.01-12.08	6 J x 15	195/65R15			15101	R1-1372		65	108	4	27	40	75,00
307/SW/Break/CC	1.4HdI/1.6i-16V/1.6HdI-FAP/2.0i/2.0HdI/2.0HdI-FAP	e2*98/14*0243*, -/244*, -/245*, -/251*, -/252*, e2*2001/116*0235*, -/243*, -/287*, -/299*, -/301*, -/313*, -/333*	3*NFU/FFN/RHY/8HZ/RHS/9HY/RHR/RFK/9HZ/9HX/RFJ/9HV	09.01-12.08	6½ J x 16	205/55R16			16074	R1-1582		65	108	4	31	30	84,50
308/SW/CC	1.4VTi/1.6VTi/1.6HdI/2.0HdI / CC 1.6HdI	e2*2001/116*0362*	4/4*****	10.07-12.13	6½ J x 15	195/65R15			15207	R1-1700		65	108	4	27	40	74,40
308/SW/CC	1.4VTi/1.6VTi/1.6THP/1.6HdI/2.0HdI	e2*2001/116*0362*	4/4*****	10.07-12.13	7 J x 16	205/55R16	215/55R16		16116	R1-1701		65	108	4	32	30	85,70
308 (MY 2014)	1.2VTi/1.6VTi/1.6HdI	e2*2007/46*0405*	L	10.13-	6½ J x 15	195/65R15			15263	R1-1881		65	108	5	42	40	72,00
308 (MY 2014)	1.2VTi/1.6VTi/1.6HdI/2.0HdI	e2*2007/46*0405*	L	10.13-	7 J x 16	205/55R16			16191	R1-1882		65	108	5	44	30	83,00
3008	1.2THP/1.6THP/1.6VTi/1.6HdI/2.0HdI/Hybrid	e2*2001/116*0377*, e2*2007/46*0094*	OU/OU*****/HU	10.07-	7 J x 16	215/60R16			16116	R1-1701		65	108	4	32	30	85,70
3008	1.2THP/1.6THP/1.6VTi/1.6HdI/2.0HdI/Hybrid	e2*2001/116*0377*, e2*2007/46*0094*	OU/OU*****/HU	06.09-	7½ J x 17	225/50R17			17008	R1-1778		65	108	4	29	20	108,90
406	1.6i/1.8i/1.8i-16V/1.9TD/2.0HdI/2.1TD/TDI/2.0i-16V/2.0 turbo	e2*93/81*0023*, fino a -/29*, -/73*, -/87*, -/88*, -/155*, -/188*, e2*98/14*0024*, -/25*, -/26*, -/87*, -/88*, -/92*, -/155*, -/188*, -/223*, -/222*, -/264*	8*BFZ/RFV/LFY/DHX/P8C/RGX/LFX/RFN/DHW/LFX/D8B/RHZ/RHY/RFV/RHS	11.95-03.04	6 J x 15	195/65R15			15180	R1-1087		65	108	4	18	40	84,30
406	1.6i/1.8i/1.8i-16V/1.9TD/2.0HdI/2.1TD/TDI/2.0i-16V/2.0 turbo	e2*93/81*0023*, fino a -/29*, -/73*, -/87*, -/88*, -/155*, -/188*, e2*98/14*0024*, -/25*, -/26*, -/87*, -/88*, -/92*, -/155*, -/188*, -/223*, -/222*, -/264*	8*BFZ/RFV/LFY/DHX/P8C/RGX/LFX/RFN/DHW/LFX/D8B/RHZ/RHY/RFV/RHS	11.95-03.04	6 J x 15	195/65R15			15036	R1-1334		65	108	4	18	40	84,40
407/Break	1.6HdI/1.8i-16V/2.0i-16V/2.0HdI-FAP/Break 1.6HdI/1.8i-16V/2.0i-16V/2.0HdI-FAP	e2*2001/116*0292*, -/0293*, -/0297*, -/0312*, -/328*, -/330*, -/331*, -/336*, -/369*	6*9HZ/RFZ/RFN/RHR/RHL/RFJ/6FY/9HY/6*****	04.04-12.10	6½ J x 16	205/60R16			16053	R1-1476		65	108	5	44	30	91,50
407/Break	2.0i-16V/2.0HdI-FAP/2.2i-16V/3.0iV6-24V/Break 2.0i-16V/2.0HdI-FAP/2.2i-16V/3.0iV6-24V	e2*2001/116*0293*, -/294*, -/295*, -/297*, -/312*, -/328*, -/331*, -/332*, -/346*, -/352*	6*RHR/XFU/3FZ/RFN/RHL/RFJ/3FY/4HP/4HT/UHZ	04.04-12.10	7 J x 17	215/55R17			17004	R1-1583		65	108	5	48	25	115,60
407 Coupé	2.2i-16V	e2*2001/116*0332*	6*3FY	08.05-12.10	7 J x 17	215/55R17			17004	R1-1583		65	108	5	48	25	115,60
4007	2.2HdI-FAP/2.4-16V	e2*2001/116*0357*	V/V*****	09.07-07.12	6½ JJ x 16	215/70R16			16132	R1-1753		67	114,3	5	38	30	104,80
4008	1.6/1.6HdI-115/1.8HdI-150	e2*2007/46*0115*	B	08.12-	6½ JJ x 16	215/70R16			16141	R1-1880		67	114,3	5	38	30	90,90

<b>508/SW</b>	1.6THP/1.6VTi/1.6HDI/2.0HDI	e2*2007/46*0080*	8	05.11-	7 J x 16	215/60R16			16153	<b>R1-1782</b>		65	108	5	47	30	<b>85,40</b>
<b>5008</b>	1.6VTi/1.6THP/1.6HDI/2.0HDI/Snow Motion	e2*2007/46*0004*	0/0*****	11.09-	7 J x 16	215/55R16			16138	<b>R1-1769</b>		65	108	4	29	30	<b>84,50</b>
<b>807</b>	2.0D/2.0i-16V/2.2HDI/2.2i-16V	Ammassa solo su vetture che montano la ruota acciaio di serie	e2*98/14*0253*	E/E*****	09.02-	6½ J x 15	205/65R15	215/65R15	15152	<b>R1-1456</b>		58	98	5	27	40	<b>88,30</b>
<b>807</b>	2.0D/2.0HDI/2.0i-16V/2.2HDI/2.2i-16V	e2*98/14*0253*	E/E*****	09.02-	7 J x 16	215/60R16			16050	<b>R1-1470</b>		58	98	5	27	30	<b>103,40</b>
<b>Bipper Tepee</b>	1.3HDI/1.4i/1.4HDI	e3*2001/116*0272*, e3*2007/46*0012*	A/A*****	02.08-	6 J x 15	185/65R15			15211	<b>R1-1681</b>		58	98	4	44	40	<b>75,70</b>
<b>Boxer</b>	2.0i/1.9D/1.9TD/2.5D/2.5TD/2.8HDI	G716, G717, G718, G828, e3*96/27*0026*	Z3/230/230L/230D/230P	03.94-03.02	6 J x 15	195/70R15			15063	<b>R1-957</b>		71,1	118	5	68	40	<b>97,20</b>
<b>Boxer</b>	2.0i/2.5D/2.5TD/2.8HDI	K912, K913, K914, L113	244/244D/244L/244M	03.94-03.02	6 J x 16	205/75R16	215/75R16		16013	<b>R1-956</b>		78,1	130	5	68	30	<b>113,60</b>
<b>Boxer</b>	2.0i/2.0HDI/2.2HDI/2.8HDI/2.0 Bipower	e3*98/14*0103*	Z/244/244D/244L/244M	04.02-09.06	6 J x 15	195/70R15	205/70R15		15063	<b>R1-957</b>		71,1	118	5	68	40	<b>97,20</b>
<b>Boxer</b>	2.0i/2.0HDI/2.2HDI/2.8HDI/2.0 Bipower	e3*98/14*0103*	244/244D/244L/244M	04.02-05.06	6 J x 16	205/75R16	215/75R16		16013	<b>R1-956</b>		78,1	130	5	68	30	<b>113,60</b>
<b>Boxer II</b>	2.2HDI-100/2.2HDI-120/3.0HDI-160	fino a e3*2001/116*0233*10, fino a e3*2007/46*0045*08	Y	10.06-03.14	6 J x 15	205/70R15	215/70R15	225/70R15	15200	<b>R1-1635</b>		71,1	118	5	68	40	<b>97,90</b>
<b>Boxer II</b>	2.2HDI-120/3.0HDI-160	fino a e3*2001/116*0233*10, fino a e3*2007/46*0045*08	Y	10.06-03.14	6 J x 16	215/75R16	225/75R16		16094	<b>R1-1636</b>		78,1	130	5	68	30	<b>113,80</b>
<b>Expert I Kombi</b>	2.0i-16V/2.0HDI	e2*2001/116*0185*	B/B*****	03.04-01.07	6½ J x 15	205/65R15			15198	<b>R1-1643</b>		58	98	5	31	40	<b>86,20</b>
<b>Expert II Tepee</b>	1.6HDI-90/2.0HDI-120/2.0HDI-135-FAP/2.0B-140	e2*2001/116*0349*, e2*2007/46*0046*	X/X*****	02.07-05.16	7 J x 16	215/60R16			16098	<b>R1-1675</b>		65	108	5	42	30	<b>92,50</b>
<b>Expert / Tourer / Traveller</b>		e2*2007/46*0532*, -0533*	V	06.16-	7 J x 16	215/65R16			16237	<b>R1-1980</b>	N	65	108	5	46	30	<b>78,90</b>
<b>iOn</b>	Vorderrad	e2*2007/46*0069*	1	01.11-	4 J x 15	145/65R15			15242	<b>R1-1805</b>		56	100	4	35	40	<b>93,20</b>
<b>iOn</b>	Hinterrad	e2*2007/46*0069*	1	01.11-	5 J x 15	175/55R15			15243	<b>R1-1806</b>		56	100	4	35	40	<b>93,20</b>
<b>Partner I Kombi</b>	1.1i/1.4i/1.6i/1.8i/1.9D/2.0HDI	e2*93/81*0060*, -/61*, -/62*, -/133*, -/182*, e2*98/14*0060*, -/61*, -/133*, -/182*, -/202*, -/228*, -/229*, -/230*, -/231*	5*HDZ/DJY/WJZ/KFX/LFX/RHY/KFW/NFU/WJY	03.96-03.03	5½ J x 14	175/65R14	175/70R14		14073	<b>R1-1278</b>		65	108	4	24	54	<b>79,60</b>
<b>Partner I Kombi</b>	1.6i/2.0HDI	e2*98/14*0202*, -/230*	5*NFU/RHY	01.01-03.03	6 J x 15	185/65R15			15085	<b>R1-1369</b>		65	108	4	18	40	<b>82,10</b>
<b>Partner I Kombi</b>	1.4i/1.6HDI/1.9D/2.0HDI	e2*2001/116*0279*, -/281*, -/282*, -/322, -/338*	G*KFW/WJY/RHY/9HX/9HW	04.03-12.08	5½ J x 14	175/70R14			14073	<b>R1-1278</b>		65	108	4	24	54	<b>79,60</b>
<b>Partner I Kombi</b>	1.6i-16V/1.6HDI/2.0HDI	e2*2001/116*0280*, -/282*, -/322*, -/337*	G*NFU/RHY/9HX/9HW	04.03-12.08	6 J x 15	185/65R15			15085	<b>R1-1369</b>		65	108	4	18	40	<b>82,10</b>
<b>Partner II Tepee</b>	1.6-16V/1.6HDI/Electrique	e2*2001/116*0365*, e2*2007/46*0001*	7/7*****	07.08-	6½ J x 15	195/65R15	195/70R15	205/65R15	15213	<b>R1-1735</b>		65	108	4	27	40	<b>86,70</b>
<b>Partner II Tepee</b>	1.6-16V/1.6HDI	e2*2001/116*0365*, e2*2007/46*0001*	7/7*****	07.08-	6½ J x 16	215/55R16			16089	<b>R1-1663</b>		65	108	4	26	25	<b>86,10</b>



# Peugeot veicoli commerciali

Modello	Motorizzazioni	Omologazione del veicolo	Codice progetto	Anno di produzione	Misura ruota	Misura pneumatico			Disegno MWD	Disegno MW Aftermarket	Osservazioni	Dati tecnici				Pezzi per paletta	Prezzo EUR senza IVA
												Foro centrale	Interasse fori	Fori attacco	Offset		
<b>Bipper</b>	1.3HDi/1.4i/1.4HDi Ruota grigia	N127, e3*2007/46*0012*	225L/A	02.08-	5½ J x 14	175/70R14			14179	<b>R1-1679</b>		58	98	4	44	54	<b>57,90</b>
<b>Bipper</b>	1.3HDi/1.4i/1.4HDi Ruota grigia	N127, e3*2007/46*0012*	225L/A	02.08-	6 J x 15	185/65R15			15211	<b>R1-1681</b>		58	98	4	44	40	<b>75,70</b>
<b>Boxer</b>	270C/270CS 1.9D/1.9DT/2.0i/310C/310CS 2.0i/2.5D/ 2.8HDi/320M 2.0i/2.5D/2.8HDi/320MH/320LH 2.0i/2.5D/ 2.8HDi	G716, G717, G718, G828	230/230L/230D/230P	03.94-03.02	6 J x 15	195/70R15	205/70R15		15063	<b>R1-957</b>		71,1	118	5	68	40	<b>97,20</b>
<b>Boxer</b>	350MH/350MHS/350LHS 2.0i/2.5D/2.8HDi/350M/350L 2.5D	G716, G717, G718, G828	230/230L/230D/230P	03.94-03.02	6 J x 15	205/75R16	215/75R16		16013	<b>R1-956</b>		78,1	130	5	68	30	<b>113,60</b>
<b>Boxer 4x4</b>	350M/350MH/350LH 2.5D/2.8HDi	G716, G717, G718, G828	230/230L/230D/230P	03.94-03.02	6 J x 16	205/75R16	215/75R16		16013	<b>R1-956</b>		78,1	130	5	68	30	<b>113,60</b>
<b>Boxer</b>	330C/CS/330M/330L/2.0HDi/2.2HDi/2.8HDi/2.0i Bipower/4x4	K912, K913, K914, L113	244/244D/244L/244M	04.02-09.06	6 J x 15	195/70R15	205/70R15		15063	<b>R1-957</b>		71,1	118	5	68	40	<b>97,20</b>
<b>Boxer</b>	2.2HDi 350L/350LH/350M/350MH/2.0 Bipower/4x4/ 2.8HDi 350L/350LL/350LH/4x4	K912, K913, K914, L113	244/244D/244L/244M	04.02-09.06	6 J x 16	205/75R16	215/75R16		16013	<b>R1-956</b>		78,1	130	5	68	30	<b>113,60</b>
<b>Boxer II</b>	2.2HDi-100/2.2HDi-120/3.0HDi-160	L771, L772, L936	250/250D/250L	10.06-03.14	6 J x 15	215/70R15	225/70R15		15200	<b>R1-1635</b>		71,1	118	5	68	40	<b>97,90</b>
<b>Boxer II</b>	2.2HDi/3.0HDi	L771, L772, L936	L771/L772/L936	10.06-03.14	6 J x 16	215/75R16	225/75R16		16094	<b>R1-1636</b>		78,1	130	5	68	30	<b>113,80</b>
<b>Boxer II</b>	2.2HDi/3.0HDi	fino a e3*2007/46*0045*08, e3*2007/46*0050*	Y	07.11-03.14	6 J x 16	215/75R16	225/75R16		16094	<b>R1-1636</b>		78,1	130	5	68	30	<b>113,80</b>
<b>Boxer II (Facelift)</b>	2.2HDi/3.0HDi	a partire da e3*2001/116*0233*12, a partire da e3*2007/46*0045*10	Y	04.14-	6 J x 15	215/75R15	225/75R15		15273	<b>R1-1908</b>		71,1	118	5	68	40	<b>92,50</b>
<b>Boxer II (Facelift) Light</b>	2.2HDi-110/2.2HDi-130/2.2HDi-150/3.0HDi-175	e3*2007/46*0045*, e3*2001/116*0233*	Y	04.14-	6 J x 16	215/75R16	221/75R16		16208	<b>R1-1909</b>		71,1	118	5	68	30	<b>113,80</b>
<b>Boxer II (Facelift)</b>	2.2HDi/3.0HDi Portata max. kg 2.400/asse	a partire da e3*2001/116*0233*12, a partire da e3*2007/46*0045*10, a partire da e2*2007/46*0050*08	Y	04.14-	6 J x 16	215/75R16	225/75R16		16209	<b>R1-1910</b>		78	130	5	68	30	<b>113,80</b>
<b>Expert I (Facelift)</b>	1.9D/2.0i-16V/2.0HDi	H174	222	03.04-01.07	6½ J x 15	195/65R15	205/65R15		15198	<b>R1-1643</b>		58	98	5	31	40	<b>86,20</b>
<b>Expert II Kasten</b>	1.6HDi-90/2.0HDi-FAP-135	L867	G9	02.07-	6½ J x 15	215/65R15			15201	<b>R1-1664</b>		65	108	5	38	40	<b>86,10</b>
<b>Expert II Kasten</b>	1.6HDi-90/2.0HDi-120/2.0HDi-135-FAP/2.0B-140	L867	G9	02.07-	7 J x 16	215/60R16			16098	<b>R1-1675</b>		65	108	5	42	30	<b>92,50</b>
<b>Partner I</b>	170C 1.1i/1.4i/1.6i/1.9D/2.0HDi/190 C 1.4i/1.9D/2.0HDi	e2*93/81*0060*, -/61*, -/62*, -/133*, -/182*, e2*98/14*0060*, -/61*, -/133*, -/182*, -/202*, -/228*, -/229*, -/230*, -/231*, H420	5/5*HDZ/DJY/KFX/LFX/ WJZ/RHY/HFX/KFW/ NFU/WJY	03.96-03.03	5½ J x 14	165/70R14	175/65R14	175/70R14	14073	<b>R1-1278</b>		65	108	4	24	54	<b>79,60</b>
<b>Partner I</b>	170C/190C/1.1i/1.4i/1.6i-16V/1.9D/2.0HDi	L083, L162, L163	M59/M59GL/M59GN	04.03-12.08	5½ J x 14	175/65R14			14073	<b>R1-1278</b>		65	108	4	24	54	<b>79,60</b>
<b>Partner II</b>	1.6-16V/1.6HDi	N128	B9	07.08-	6½ J x 15	195/65R15	195/70R15		15213	<b>R1-1735</b>		65	108	4	27	40	<b>86,70</b>



R1-1025



R1-1749



R1-1798



R1-1875

Modello	Motorizzazioni	Omologazione del veicolo	Codice progetto	Anno di produzione	Misura ruota	Misura pneumatico			Disegno MWD	Disegno MW Aftermarket	Osservazioni	Dati tecnici					Pezzi per paletta	Prezzo EUR senza IVA
												Foro centrale	Interasse fori	Fori attacco	Offset			
Ape				-	4,00 B x 12					R1-1749							61,50	
Porter				-	4,00 B x 12				12005	R1-1025		66,5	110	4	50		64,10	
Porter	Ruota grigia			-	4½ J x 13				13119	R1-1798		66,5	110	4	50		70,00	
Porter		e11*2007/46*0031*	S90	-	4,50 B x 14	165/65R14			14196	R1-1875		110	139,7	5	90		74,50	

# Renault



R1-872



R1-950



R1-1132



R1-1172



R1-1187



R1-1213



R1-1266



R1-1304



R1-1312



R1-1350



R1-1373



R1-1429



R1-1432



R1-1433



R1-1468



R1-1469



R1-1579



R1-1580



R1-1611



R1-1612



R1-1637



R1-1669



R1-1670



R1-1711



R1-1712



R1-1713



R1-1732



R1-1734



R1-1764



R1-1765



R1-1799



R1-1833



R1-1855



R1-1865



R1-1892



R1-1894



R1-1896



R1-1897



R1-1937



R1-1938



R1-1946



immagine  
non  
disponibile

R1-1955



R1-1956



immagine  
non  
disponibile

R1-1984

Modello	Motorizzazioni	Omologazione del veicolo	Codice progetto	Anno di produzione	Misura ruota	Misura pneumatico			Disegno MWD	Disegno MW Aftermarket	Oscen- zioni	Dati tecnici				Pezzi per paletta	Prezzo EUR senza IVA
												Foro centrale	Interasse fori	Fori attacco	Offset		
<b>Captur</b>	0.9Tce90/1.2Tce120/1.5dCi90	e2*2001/116*0327*	R	05.13-	6½ J x 16	205/60R16			16193	<b>R1-1892</b>		60	100	4	40	30	<b>77,50</b>
<b>Clio I</b>	1.2RN/Prima/Campus	F543, e2*93/81*0064*	B/C57/57	03.93-09.98	4,50 B x 13	145/70R13	155/70R13		13041	<b>R1-950</b>		60	100	4	36	63	<b>57,30</b>
<b>Clio I</b>	1.2i/1.4i/1.6i/1.9D Campus/RND/Baccara 1.4/1.8	F543, e2*93/81*0064*	B/C57/57	01.91-09.98	5,00 B x 13	145/70R13	155/70R13	165/65R13	13027	<b>R1-872</b>		60	100	4	36	54	<b>55,30</b>
<b>Clio II</b>	1.2i/1.2i-16V/1.4i-16V/1.6i-16V/1.9D	e2*93/81*0126*, e2*98/14*0126*	B	10.98-12.12	5,00 B x 13	165/70R13			13027	<b>R1-872</b>		60	100	4	36	54	<b>55,30</b>
<b>Clio II</b>	1.2i/1.2i-16V/1.4i-16V/1.5dCi/1.6i-16V/1.9dt	e2*93/81*0126*, e2*98/14*0126*	B	10.98-12.12	5,50 B x 13	175/70R13			13024	<b>R1-1213</b>		60	100	4	36	54	<b>61,60</b>
<b>Clio II/Campus/Storia</b>	1.2eco/1.2LPG/1.2i/1.2i-16V/1.4i-16V/1.5dCi/1.6i-16V/1.9dt / Campus/Storia 1.2eco/1.2LPG/1.2-16V/dCi65	e2*93/81*0126*, e2*98/14*0126*	B	10.98-12.12	5½ J x 14	165/65R14	175/60R14	175/65R14	14084	<b>R1-1132</b>		60	100	4	36	54	<b>61,40</b>
<b>Clio II</b>	1.2i/1.2i-16V/1.4i/1.4-16V/1.5D/1.5dCi/1.6i/1.9D	e2*93/81*0126*, e2*98/14*0126*	B	10.98-12.12	6 J x 14	175/65R14	185/60R14		14056	<b>R1-1266</b>		60	100	4	43	40	<b>90,00</b>
<b>Clio II/Campus/Storia</b>	1.2eco/1.2LPG/1.2i-16V/1.4i-16V/1.5dCi/1.6i-16V/2.0i-16V Sport / Campus/Storia 1.2eco/1.2LPG/1.2-16V/dCi65	e2*98/14*0126*	B	06.00-12.12	6 J x 15	185/55R15			15109	<b>R1-1350</b>		60	100	4	43	40	<b>87,80</b>
<b>Clio III</b>	2.0i-16V/1.9dCi	e2*2001/116*0327*	R	09.05-06.13	6½ J x 16	195/50R16			16082	<b>R1-1612</b>		60	100	4	43	30	<b>86,20</b>
<b>Clio III/Grandtour</b>	1.2i-16V	e2*2001/116*0327*	R	09.05-06.13	5½ J x 15	165/65R15			15178	<b>R1-1579</b>		60	100	4	43	48	<b>81,00</b>
<b>Clio III/Grandtour</b>	1.2i-16V/1.5dCi/1.4i-16V/1.6i-16V/2.0i-16V	e2*2001/116*0327*	R	09.05-06.13	6 J x 15	175/65R15	185/60R15		15179	<b>R1-1580</b>		60	100	4	50	40	<b>67,50</b>
<b>Clio III/Grandtour</b>	1.2i-16V/1.5dCi/1.4i-16V/1.6i-16V/2.0i-16V	a partire da e2*2001/116*0327*46*	R	09.05-06.13	6 J x 15	185/60R15	185/65R15		15189	<b>R1-1611</b>		60	100	4	43	40	<b>63,90</b>
<b>Clio IV/Grandtour</b>	0.9Tce90/1.2-16V-75/1.5dCi-75/1.5dCi90	a partire da e2*2001/116*0327*46*	R	11.12-	6 J x 15	185/65R15			15253	<b>R1-1855</b>		60	100	4	40	40	<b>84,00</b>
<b>Espace/Grand Espace</b>	1.9dCi/2.0i/2.0T/2.0dCi	e2*98/14*0265*	K	10.02-03.15	6½ J x 16	225/60R16			16046	<b>R1-1432</b>		60	108	5	50	30	<b>102,80</b>
<b>Espace/Grand Espace</b>	1.9dCi/2.0i-16V/2.0T/2.0dCi/2.2dCi/3.0dCi/3.5V6	e2*98/14*0265*	K	10.02-03.15	7 J x 17	225/55R17			17003	<b>R1-1429</b>		60	108	5	50	25	<b>127,10</b>
<b>Espace</b>	dCi130-1.6/dCi160-1.6/TCe200-1.6	e2*2007/46*0470*	RFC	04.15-	7 J x 17	235/65R17			17019	<b>R1-1946</b>		66	114,3	5	37	20	<b>109,80</b>
<b>Fluence</b>	1.5dCi/1.6-16V/2.0-16V	e2*2001/116*0373*	Z	06.10-	6½ J x 15	205/65R15			15215	<b>R1-1734</b>		66	114,3	5	43	40	<b>77,80</b>
<b>Fluence</b>	1.5dCi/1.6-16V/2.0-16V	e2*2001/116*0373*	Z	06.10-	6½ J x 16	205/60R16			16122	<b>R1-1732</b>		66	114,3	5	47	30	<b>87,80</b>
<b>Fluence Z.E.</b>	Veicolo elettrico	e2*2007/46*0090*	LZ	02.12-	6½ J x 16	205/55R16			16122	<b>R1-1732</b>		66	114,3	5	47	30	<b>87,80</b>
<b>Kadjar/Kadjar XMOD</b>	1.2 Tce130/1.5dCi110/1.6dCi130	e2*2007/46*0475*	RFE	06.15-	6½ J x 16	215/65R16			16201	<b>R1-1897</b>		66	114,3	5	40	30	<b>94,50</b>
<b>Kangoo</b>	1.2i/1.2i-16V/1.4i/1.5dCi/1.9D/1.9dTi	e2*93/81*0164*, e2*98/14*0164*	KC	04.98-12.09	5½ J x 14	165/70R14	165/75R14	175/65R14	14084	<b>R1-1132</b>		60	100	4	36	54	<b>61,40</b>
<b>Kangoo 4x4</b>	1.6-16V/1.9dCi	e2*98/14*0164*	KC	10.01-	5½ J x 15	185/65R15			15150	<b>R1-1433</b>		60	100	4	43	40	<b>83,70</b>
<b>Kangoo II</b>	1.5dCi/1.6-8V/1.6-16V	e2*2001/116*0364*, e2*2007/46*0006*	W	01.08-	5½ J x 14	185/70R14			14181	<b>R1-1713</b>		60	100	4	45	54	<b>75,90</b>
<b>Kangoo II</b>	1.5dCi/1.6-16V	e2*2001/116*0364*	W	05.13-	6 J x 15	195/65R15			15262	<b>R1-1894</b>		60	100	4	44	40	<b>82,00</b>
<b>Kangoo II</b>	1.5dCi/1.6-8V/1.6-16V/1.6LPG	e2*2001/116*0364*, e2*2007/46*0006*	W	01.08-	6 J x 15	195/65R15			15214	<b>R1-1712</b>		60	108	5	44	48	<b>82,50</b>
<b>Kangoo II/ Kangoo be bop</b>	1.5dCi/1.6-8V/1.6-16V	e2*2001/116*0364*, e2*2007/46*0006*	W	04.09-	6 J x 16	205/60R16			16118	<b>R1-1711</b>		60	108	5	44	30	<b>102,90</b>
<b>Laguna</b>	1.6i-16V/1.9dTi/1.9dCi/2.0i Proaktiv/2.2dT	e2*93/81*0012*, e2*98/14*0012*	B56	05.96-02.01	6½ J x 15	195/60R15	195/65R15	205/60R15	15064	<b>R1-1312</b>		60	100	4	50	40	<b>97,90</b>



# Renault (segue)

Modello	Motorizzazioni	Omologazione del veicolo	Codice progetto	Anno di produzione	Misura ruota	Misura pneumatico			Disegno MWD	Disegno MW Aftermarket	Osservazioni	Dati tecnici				Pezzi per palette	Prezzo EUR senza IVA
												Foro centrale	Interasse fori	Fori attacco	Offset		
<b>Laguna Grandtour</b>	1.6i-16V/1.9dTi/2.0i Proaktiv	e2*93/81*0011*, e2*98/14*0011*	K56	06.96-02.01	6½ J x 15	195/60R15	195/65R15		15064	<b>R1-1312</b>		60	100	4	50	40	<b>97,90</b>
<b>Laguna II/Grandtour</b>	1.6i-16V/1.8i-16V/1.9dCi/2.0i-16V/2.0dCi/2.2dCi/3.0iV6-24V/Automatic	e2*98/14*0206*	G	03.01-09.07	6½ J x 16	205/55R16	205/60R16		16027	<b>R1-1187</b>		60	108	5	50	40	<b>91,80</b>
<b>Laguna III/Grandtour</b>	1.5dCi/1.6-16V/2.0-16V	e2*2001/116*0363*	T	10.07-10.12	6 J x 16	195/60R16			16113	<b>R1-1669</b>		66	114,3	5	42	30	<b>81,30</b>
<b>Laguna III/Grandtour</b>	1.5dCi/1.6-16V/2.0-16V/2.0dCi	e2*2001/116*0363*	T	10.07-	7 J x 16	205/60R16	215/55R16	215/60R16	16114	<b>R1-1670</b>		66	114,3	5	47	30	<b>83,90</b>
<b>Latitude</b>	2.0-16V/2.0dCi	e2*2001/116*0363*	T	10.10-	7 J x 16	195/60R16	205/60R16	215/55R16	16114	<b>R1-1670</b>		66	114,3	5	47	30	<b>83,90</b>
<b>Megane</b>	Limousine/Classic 1.6/1.6e/1.9D/Cabrio/Coupé 1.6e	e2*93/81*0009*, -/10*, -/72*, -/103*	DA/BA/LA/EA	01.96-10.02	5,50 B x 13	165/70R13	175/70R13		13024	<b>R1-1213</b>		60	100	4	36	54	<b>61,60</b>
<b>Megane</b>	Limousine/Classic 1.4i-16V/1.6i-16V/1.6e/Cabrio/Coupé 1.4i-16V/1.6e	e2*93/81*0009*, -/10*, -/72*, -/103*, e2*98/14*0009*, -/10*, -/72*, -/103*	BA/DA/LA/EA	01.96-10.02	5½ J x 14	175/65R14	175/70R14	185/60R14	14084	<b>R1-1132</b>		60	100	4	36	54	<b>61,40</b>
<b>Megane</b>	Limousine/Classic 1.4i-16V/1.6i-16V/1.8i/1.9dTi/1.9dCi/Cabrio/Coupé 1.4i-16V/1.6i-16V/2.0i-16V-dCi	e2*98/14*0009*, -/10*, -/72*, -/103*	BA/DA/LA/EA	07.99-10.02	6 J x 15	185/55R15	185/60R15		15109	<b>R1-1350</b>		60	100	4	43	40	<b>87,80</b>
<b>Megane Break</b>	1.4i-16V/1.9dTi	e2*98/14*0192*	KA	01.99-05.03	5½ J x 14	175/70R14			14084	<b>R1-1132</b>		60	100	4	36	54	<b>61,40</b>
<b>Megane Break</b>	1.6i-16V/1.8i/1.9dTi/1.9dCi	e2*98/14*0192*	KA	08.99-05.03	6 J x 15	185/60R15			15109	<b>R1-1350</b>		60	100	4	43	40	<b>87,80</b>
<b>Megane Scenic</b>	1.4i-16V/1.6i/1.6e/1.6i-16V/1.9dTi/1.9dCi/2.0i-16V	e2*93/81*0068*, e2*98/14*0068*	JA	08.99-05.03	6 J x 15	185/65R15	195/60R15	205/55R15	15109	<b>R1-1350</b>		60	100	4	43	40	<b>87,80</b>
<b>Megane Scenic</b>	1.6i/1.6eRN/RT	e2*93/81*0068*, e2*98/14*0068*	JA	01.97-07.98	5½ J x 14	175/70R14			14084	<b>R1-1132</b>		60	100	4	36	54	<b>61,40</b>
<b>Megane II</b>	1.4i-16V/1.5dCi/1.6i-16V/1.9dCi/Cabrio 1.6i-16V/1.9dCi	e2*98/14*0272*	M	11.02-12.08	6½ J x 15	195/65R15			15153	<b>R1-1469</b>		60	100	4	45	40	<b>74,50</b>
<b>Megane II</b>	1.4i-16V/1.5dCi/1.6i-16V/1.9dCi/2.0i-16V/2.0T-16V/Cabrio 1.6i-16V/1.9dCi/2.0i-16V/2.0T-16V	e2*98/14*0272*	M	11.02-12.08	6½ J x 16	205/55R16			16038	<b>R1-1468</b>		60	100	4	49	30	<b>100,00</b>
<b>Megane II Scenic</b>	1.4i-16V/1.5dCi/1.6i-16V	e2*2001/116*0274*	JM	06.03-12.08	6½ J x 15	195/65R15			15153	<b>R1-1469</b>		60	100	4	45	40	<b>74,50</b>
<b>Megane II Scenic/Grand Scenic</b>	1.4i-16V/1.5dCi/1.6i-16V/1.9dCi/2.0i-16V/2.0T-16V	e2*2001/116*0274*	JM	06.03-12.08	6½ J x 16	205/55R16	205/60R16		16038	<b>R1-1468</b>		60	100	4	49	30	<b>100,00</b>
<b>Megane III/Coupé/Grandtour</b>	1.2Tce/1.4Tce/1.5dCi/1.6-16V/2.0-16V/Coupé/Cabrio 1.4Tce/1.5dCi/1.6-16V/2.0-16V	e2*2001/116*0373*	Z	11.08-	6½ J x 15	195/65R15			15215	<b>R1-1734</b>		67	114,3	5	43	40	<b>77,80</b>
<b>Megane III/Coupé/Grandtour</b>	1.4Tce/1.5dCi/1.6-16V/1.9dCi/2.0-16V/Coupé 1.4Tce/1.5dCi/1.6-16V/1.9dCi/2.0-16V	e2*2001/116*0373*	Z	11.08-	6½ J x 16	205/55R16			16122	<b>R1-1732</b>		67	114,3	5	47	30	<b>87,80</b>
<b>Megane III Scenic</b>	1.5dCi/1.6-16V Non monta né Scenic, né Xmod	e2*2001/116*0379*	JZ	06.09-	6½ J x 15	195/65R15			15215	<b>R1-1734</b>		67	114,3	5	43	40	<b>77,80</b>
<b>Megane III Scenic/Grand Scenic/Xmod</b>	1.4Tce/1.5dCi/1.6-16V/1.9dCi	e2*2001/116*0379*	JZ	06.09-	6½ J x 16	205/55R16	205/60R16		16122	<b>R1-1732</b>		67	114,3	5	47	30	<b>87,80</b>
<b>Megane IV / Megane Grandtour</b>	dCi90/100/110/130 Tce100/130/200	e2*2007/46*0546*	RFB	12.15-	6 J x 15	195/65R15			15285	<b>R1-1955</b>		66	114,3	5	35	40	<b>71,50</b>
<b>Megane IV / Megane Grandtour</b>	dCi90/100/110/130 Tce100/130/200	e2*2007/46*0546*	RFB	12.15-	6½ J x 16	205/55R16			16222	<b>R1-1956</b>		66	114,3	5	41	30	<b>79,50</b>
<b>Modus/Grand Modus</b>	1.2i-16V	e2*2001/116*0319*	P	09.04-12.12	5½ J x 15	165/65R15	185/60R15		15178	<b>R1-1579</b>		60	100	4	43	48	<b>81,00</b>



<b>Modus/Grand Modus</b>	1.2i-16V/1.5dCi/1.4i-16V/1.6i-16V	e2*2001/116*0319*	P	09.04-12.12	6 J x 15	175/75R15	185/60R15		15179	<b>R1-1580</b>		60	100	4	50	40	<b>67,50</b>
<b>R5</b>	GTX/Rapid Combi 1.3/1.4/1.9D	D653, D653/1, E099	B-C40/F40	07.87-11.92	5,00 B x 13	145 R 13	155 R 13	145/70R13	13027	<b>R1-872</b>		60	100	4	36	54	<b>55,30</b>
<b>R19</b>	1.4i/1.8i/1.9D/Chamade 1.4i/1.8i/1.9D	E979, G073, F144	B-C53/X53/L53	01.89-12.95	5,00 B x 13	155 R 13	165/70R13	175/70R13	13027	<b>R1-872</b>		60	100	4	36	54	<b>55,30</b>
<b>R21</b>	1.8TS/RS/GTS/TSE	E135, E135/1	L48	03.86-03.94	5,00 B x 13	155 R 13	175/70R13		13027	<b>R1-872</b>		60	100	4	36	54	<b>55,30</b>
<b>Scenic</b>		e2*2007/46*0574	RFA	-	6½ J x 20	195/55R20			20001	<b>R1-1984</b>	N	66	114	5	33	20	<b>125,30</b>
<b>Talisman</b>	1.2TCe/1.6cDi/1.6TCe			09.15-	6½ J x 16	205/60R16			16222	<b>R1-1956</b>		66	114,3	5	41	30	<b>79,50</b>
<b>Thalia/Symbol</b>	1.4e	e2*98/14*0126*	B	01.02-12.08	5,50 B x 13	155/80R13	175/70R13		13024	<b>R1-1213</b>		60	100	4	36	54	<b>61,60</b>
<b>Thalia/Symbol</b>	1.2i-16V/1.4e/1.4i-16V/1.5dCi/1.6i-16V	e2*98/14*0126*	B	01.02-12.08	6 J x 14	175/65R14			14056	<b>R1-1266</b>		60	100	4	43	40	<b>90,00</b>
<b>Thalia/Symbol</b>	1.2i-16V/1.4e/1.4i-16V/1.5dCi/1.6i-16V	e2*98/14*0126*	B	01.02-12.08	6 J x 15	185/55R15			15109	<b>R1-1350</b>		60	100	4	43	40	<b>87,80</b>
<b>Traffic II</b>	2.0i-16V/2.0dCi/2.5dCi	fino a e2*98/14*0213*47, fino a e2*2007/46*0014*20	JL/L	10.06-	6 J x 16	195/65R16	205/65R16	215/65R16	16034	<b>R1-1373</b>		71	118	5	50	30	<b>95,10</b>
<b>Twingo I</b>	1.2i	G391, e2*93/81*0071*, e2*98/14*0071*	C06	05.93-08.07	4,50 B x 13	145/70R13	155/70R13		13041	<b>R1-950</b>		60	100	4	36	63	<b>57,30</b>
<b>Twingo I</b>	1.2i/1.2i-16V	e2*98/14*0071*	C06	10.00-08.07	5½ J x 14	155/65R14			14084	<b>R1-1132</b>		60	100	4	36	54	<b>61,40</b>
<b>Twingo II</b>	1.2/1.2-16V-TCE/1.2-16V-GT/1.5dCi1	e2*2001/116*0359*	N	10.07-08.14	5½ J x 14	165/65R14	175/65R14		14175	<b>R1-1637</b>		60	100	4	29	54	<b>61,40</b>
<b>Twingo III</b>	SCe70/TCe90 Asse anteriore	e2*2007/46*0457*	AH	09.14-	5 J x 15	165/65R15			15268	<b>R1-1937</b>		60	100	4	38	40	<b>70,50</b>
<b>Twingo III</b>	SCe70/TCe90 Asse posteriore	e2*2007/46*0457*	AH	09.14-	5½ J x 15	185/60R15			15269	<b>R1-1938</b>		60	100	4	36	40	<b>71,50</b>
<b>Vel Satis</b>	2.0i/2.0T/2.0dCi/2.2dCi/3.5i-V6/3.0dCi	e2*98/14*0263*, e2*98/14D0263*	J	10.02-12.09	7 J x 17	225/55R17			17003	<b>R1-1429</b>		60	108	5	50	25	<b>127,10</b>
<b>Zoe</b>	Zoe	e2*2007/46*0251*	AG	09.12-	6 J x 15	185/65R15			15245	<b>R1-1865</b>		60	100	4	40	40	<b>74,50</b>

# Renault veicoli commerciali

Modello	Motorizzazioni	Omologazione del veicolo	Codice progetto	Anno di produzione	Misura ruota	Misura pneumatico			Disegno MWD	Disegno MW Aftermarket	Osservazioni	Dati tecnici				Pezzi per paletta	Prezzo EUR senza IVA
												Foro centrale	Interasse fori	Fori attacco	Offset		
<b>Kangoo Rapid/Express/Campus</b>	1.2i/1.2i-16V/1.4i/1.5dCi/1.6i-16V/1.9D/1.9dTi	H984, K558	FC/FCT	04.98-12.07	5½ J x 14	165/70R14	165/75R14	175/65R14	14075	<b>R1-1304</b>		60	100	4	36	48	<b>76,90</b>
<b>Kangoo II Rapid Compact</b>	1.5dCi/1.6-8V	N196	FW	01.08-	5½ J x 14	185/70R14			14181	<b>R1-1713</b>		60	100	4	45	54	<b>75,90</b>
<b>Kangoo II</b>	1.5dCi	e2*2007/46*0006*	W	08.13-	6 J x 15	195/65R15			15262	<b>R1-1894</b>		60	100	4	44	40	<b>82,00</b>
<b>Kangoo II Rapid</b>	1.5dCi/1.6-8V/1.6-16V	N196	FW	01.08-	6 J x 15	195/65R15			15214	<b>R1-1712</b>		60	108	5	44	48	<b>82,50</b>
<b>Kangoo II Rapid</b>	1.5dCi/1.6-16V	N196	FW	01.08-	6 J x 16	205/60R16			16118	<b>R1-1711</b>		60	108	5	44	30	<b>102,90</b>
<b>Kangoo Z.E.</b>	Kangoo Z.E./Kangoo Maxi Z.E.	e2*2007/46*0089*	FW	12.11-	6 J x 15	195/65R15			15214	<b>R1-1712</b>		60	108	5	44	48	<b>82,50</b>
<b>Master/Master Kombi</b>	1.9dTi/2.2dCi/2.5dCi/2.8dCi/3.0dCi	e2*98/14*0129*, -/204*, H912, H913, H914, K149, K309	ED/FD/JD/UD/HD/MD/ND	08.00-04.10	6 J x 16	195/65R16	215/65R16	225/65R16	16026	<b>R1-1172</b>		89	130	5	66	30	<b>101,60</b>
<b>Master</b>	2.5dCi	e2*2007/46*0015*	D	03.10-	6 J x 16	205/75R16	215/65R16	225/65R16	16026	<b>R1-1172</b>		89	130	5	66	30	<b>101,60</b>
<b>Master</b>	2.3-100dCi/2.3-125dCi/2.3-150dCi	e2*2007/46*0016*, -/19*, -/22*	MA/MB/ML	05.10-	6½ J x 16	215/65R16	225/65R16	235/65R16	16147	<b>R1-1765</b>		89	130	5	66	30	<b>95,80</b>
<b>Master</b>	2.3-100dCi/2.3-125dCi/2.3-150dCi	e2*2007/46*0016*, -/19*, -/22*	MA/MB/ML	05.10-	7 J x 16	235/65R16			16149	<b>R1-1764</b>		89	130	5	66	30	<b>98,60</b>
<b>Master</b>	2.3-125dCi/2.3-150dCi	e2*2007/46*0016*, -/17*, -/19*, -/20*	MA/MB/MD/MD	05.10-	5½ J x 16	195/75R16			16148	<b>R1-1799</b>		142,1	200	6	117	25	<b>128,00</b>
<b>Maxity</b>	Dxi 2,5 / Dxi 3 (ex Gianetti 15927)			05.07-	5 J x 15	195/70R15			15238	<b>R1-1833</b>		130	170	5	106,5	40	<b>90,00</b>
<b>Traffic II</b>	1.9dCi/2.0dCi/2.0i-16V/2.5dCi	K833, e2*98/14*0213*, e2*2007/46*0014*	FL/JL/L	10.06-	6 J x 16	195/65R16	205/65R16	215/65R16	16034	<b>R1-1373</b>		71	118	5	50	30	<b>95,10</b>
<b>Traffic III</b>	1.6-dCi90/115/120-TwinTurbo/140-TwinTurbo	a partire da e2*2007/46*0014*, a partire da e2*98/14*0213*	L/JL	09.14-	6 J x 16	205/65R16	215/65R16		16202	<b>R1-1896</b>		66	114,3	5	50	30	<b>90,50</b>



R1-1228



R1-1483



R1-1718



R1-1934

Modello	Motorizzazioni	Omologazione del veicolo	Codice progetto	Anno di produzione	Misura ruota	Misura pneumatico			Disegno MWD	Disegno MW Aftermarket	Osservazioni	Dati tecnici				Pezzi per paletta	Prezzo EUR senza IVA
												Foro centrale	Interasse fori	Fori attacco	Offset		
900	SE2.0/SE2.0-Turbo/SE2.3/SE2.5/Cabrio/Coupé SE2.0/SE2.0-Turbo/SE2.3/SE2.5	e4*95/54*0012*	YS3D	10.96-02.98	6 J x 15	185/65R15	195/60R15		15057	R1-1228		65	110	5	49	40	89,80
9-3	2.0i/2.0S/2.0-Turbo/2.2TiD/Aero/Coupé 2.0i/2.0S/2.0-Turbo/2.3T/Aero/Cabrio 2.0T/Aero	e4*95/54*0012*, e4*98/14*0012*	YS3D	03.98-08.02	6 J x 15	185/65R15	195/60R15		15057	R1-1228		65	110	5	49	40	89,80
9-3/9-3X	1.8i/1.8T/1.9TiD/2.0T/2.2TiD/2.8V6-Turbo	e4*2001/116*0065*	YS3F	09.02-12.11	6½ J x 16	205/55R16	215/55R16	225/55R16	16045	R1-1483		65	110	5	41	30	89,30
9-3 Cabrio	1.8T/1.9TiD/2.0T/2.8V6-Turbo	e4*2001/116*0077*	YS3Fx7xx/YS3FC	09.03-12.11	6½ J x 16	205/55R16	215/55R16		16045	R1-1483		65	110	5	41	30	89,30
9-5	1.9TiD/2.0T/2.2TiD/2.3i/3.0t-V6/Aero	e11*96/27*0073*	YS3E	09.97-08.05	6 J x 15	195/65R15	205/65R15		15057	R1-1228		65	110	5	49	40	89,80
9-5	1.9TiD/2.0T/2.3T	e4*2001/116*0096*	YS3EXXX	09.05-09.09	6 J x 15	195/65R15			15057	R1-1228		65	110	5	49	40	89,80
9-5	2.0TiD	e4*2007/46*0137*	YS3G	05.10-	6½ J x 16	215/60R16	225/60R16		16120	R1-1718		67	120	5	41	30	89,50
9-5	1.6T/2.0T/2.0TiD/2.0TTiD/AWD 2.0T/AWD2.0TTiD/AWD2.8T V6 Sostituisce R1-1716	e4*2007/46*0137*	YS3G	07.10-12.11	7 J x 17	225/50R17	225/55R17		17015	R1-1934		67	120	5	41	25	104,90



Modello	Motorizzazioni	Omologazione del veicolo	Codice progetto	Anno di produzione	Misura ruota	Misura pneumatico		Disegno MWD	Disegno MW Aftermarket	Osservazioni	Dati tecnici				Pezzi per paletta	Prezzo EUR senza IVA
											Foro centrale	Interasse fori	Fori attacco	Offset		
Alhambra	1.8T-20V/1.9TDI/2.0i/Automatic	e1*98/14*0036*	7MS	08.96-07.01	6 J x 15	195/65R15	205/60R15	15128	R1-1410		57	112	5	55	40	96,00
Alhambra	1.8T-20V/1.9TDI/2.0i/2.0TDI/2.8i-V6/Automatic/4x4	e1*98/14*0036*, e1*2001/116*0036*	7MS	08.00-08.10	6 J x 16	195/60R16	215/55R16	16011	R1-1408		57	112	5	53	40	111,10
Alhambra II	1.4TSI/2.0TDI/2.0TSI/4x4	e1*2007/46*0402*, e1*2007/46*0435*	7N	09.10-	6½ J x 16	205/60R16	215/60R16	16117	R1-1723		57	112	5	33	30	93,20
Altea/Altea XL Kombi	1.2TSI/1.4/1.4TSI/1.6/1.6TDI/1.8TSI/1.9TDI/2.0TDI/2.0FSI	a partire da e9*2001/116*0050*23	5P	10.08-	6 J x 15	195/65R15		15155	R1-1489		57	112	5	47	40	69,30
Altea/Altea XL Kombi	1.2TSI/1.4/1.4TSI/1.6/1.6TDI/1.8TSI/1.9TDI/2.0TDI/2.0FSI/4Drive	e9*2001/116*0050*	5P	10.08-	6 J x 16	205/55R16		16044	R1-1492		57	112	5	50	30	93,40
Altea/Altea XL Kombi	1.2TSI/1.4/1.4TSI/1.6/1.6TDI/1.8TSI/1.9TDI/2.0TDI/2.0FSI/4Drive	e9*2001/116*0050*	5P	06.04-	6½ J x 16	205/55R16		16043	R1-1491		57	112	5	50	30	88,20
Altea Freetrack	1.4TSI/1.6TDI	a partire da e9*2001/116*0050*29	5P	04.08-	6 J x 15	195/65R15		15155	R1-1489		57	112	5	47	40	69,30
Altea Freetrack/4x4	1.4TSI/1.6TDI/2.0TFSI/2.0TDI/2.0TDI-CR	e9*2001/116*0050*	5P	04.08-	6 J x 16	205/55R16	205/60R16	16044	R1-1492		57	112	5	50	30	93,40
Altea Freetrack/4x4	1.4TSI/1.6TDI/2.0TFSI/2.0TDI/2.0TDI-CR	e9*2001/116*0050*	5P	09.07-	6½ J x 16	205/55R16	205/60R16	16043	R1-1491		57	112	5	50	30	88,20



<b>Arosa</b>	1.0i/1.4i/Automatik	e1*95/54*0049*, e1*98/14*0049*, e9*98/14*0037*	6H/6HS	06.97-05.05	4½ J x 13	155/70R13			13002	<a href="#">R1-1375</a>		57	100	4	35	63	<b>56,60</b>
<b>Arosa</b>	1.0i/1.4i/1.4i Automatik/1.7SDI	e1*95/54*0049*, e1*98/14*0037*, -/49*	6H/6HS	06.97-05.05	5½ J x 13	175/65R13			13003	<a href="#">R1-1374</a>		57	100	4	43	54	<b>61,80</b>
<b>Ateca</b>				07.16-	6½ J x 16				16236	<a href="#">R1-1979</a>	N	57	112	5		30	<b>78,40</b>
<b>Exeo/ST</b>	1.6/1.8T/2.0TDI-CR/2.0TFSI	e9*2001/116*0072*	3R	03.09-12.13	7 J x 16	195/60R16	205/55R16		16133	<a href="#">R1-1754</a>		57	112	5	45	24	<b>85,90</b>
<b>Ibiza/Cordoba</b>	1.2i-6V/1.2i-12V/1.4i-16V/1.4TDI/1.9SDI	e9*98/14*0041*, e9*2001/116*0041*	6L	05.02-05.08	5 J x 14	165/70R14			14082	<a href="#">R1-1399</a>		57	100	5	35	54	<b>69,50</b>
<b>Ibiza/Cordoba</b>	1.2i-6V/1.2i-12V/1.4i-16V/1.4TDI/1.6i-16V/1.9SDI/1.9TDI-PD	e9*98/14*0041*, e9*2001/116*0041*	6L	05.02-05.08	6 J x 14	185/60R14			14083	<a href="#">R1-1200</a>		57	100	5	43	48	<b>70,00</b>
<b>Ibiza/Cordoba</b>	1.2i-6V/1.2i-12V/1.4i-16V/1.4TDI/1.6i-16V/1.9SDI/1.8-20V-T/1.9TDI-PD	e9*98/14*0041*, e9*2001/116*0041*	6L	05.02-05.08	6 J x 15	185/55R15	195/50R15	195/55R15	15143	<a href="#">R1-1505</a>		57	100	5	43	40	<b>83,80</b>
<b>Ibiza/Cordoba</b>	1.2i-12V/1.4i-16V/1.4TDI/1.6i-16V/1.8i-20V-T/1.9SDI/1.9TDI-PD	e9*98/14*0041*, e9*2001/116*0041*	6L	05.02-05.08	6½ J x 16	205/45R16			16007	<a href="#">R1-1345</a>		57	100	5	42	30	<b>114,90</b>
<b>Ibiza/ST</b>	1.2-12V/1.4-16V/1.4TDI/1.6-16V/1.6TDI-CR/1.9TDI	e9*2001/116*0067*	6J	06.08-	5 J x 14	165/70R14	175/70R14		14082	<a href="#">R1-1399</a>		57	100	5	35	54	<b>69,50</b>
<b>Ibiza/ST</b>	1.2-12V/1.4-16V/1.4TDI/1.4TSI/1.6-16V/1.6TDI-CR/1.9TDI/2.0TDI-CR	e9*2001/116*0067*	6J	06.08-	6 J x 15	175/65R15	185/60R15		15219	<a href="#">R1-1727</a>		57	100	5	38	40	<b>74,20</b>
<b>Leon II</b>	1.2TSI/1.4/1.4TSI/1.6/1.6LPG/1.1TDI-CR/1.8TSI/1.9TDI/2.0FSDI/2.0TDI	e9*2001/116*0052*	1P	10.08-11.12	6 J x 15	195/65R15			15155	<a href="#">R1-1489</a>		57	112	5	47	40	<b>69,30</b>
<b>Leon II</b>	1.2TSI/1.4/1.4TSI/1.6LPG/1.6TDI-CR/1.8TSI/1.9TDI/2.0FSDI/2.0TDI/2.0TDI-CR/2.0TFSI	e9*2001/116*0052*	1P	09.05-11.12	6 J x 16	205/55R16			16044	<a href="#">R1-1492</a>		57	112	5	50	30	<b>93,40</b>
<b>Leon II</b>	1.2TSI/1.4/1.4TSI/1.6LPG/1.6TDI-CR/1.8TSI/1.9TDI/2.0FSDI/2.0TDI/2.0TDI-CR/2.0TFSI	e9*2001/116*0052*	1P	09.05-11.12	6½ J x 16	205/55R16			16043	<a href="#">R1-1491</a>		57	112	5	50	30	<b>88,20</b>
<b>Leon III</b>	1.2TSI/1.4TGI/1.4TSI/1.6TDI/2.0TDI/4-Drive	e9*2007/46*0094*	5F	12.12-	6 J x 15	195/65R15			15255	<a href="#">R1-1850</a>		57	112	5	43	40	<b>71,30</b>
<b>Leon III</b>	1.2TSI/1.4TGI/1.4TSI/1.6TDI/1.8TSI/2.0TDI/4-Drive	e9*2007/46*0094*	5F	12.12-	6 J x 16	205/55R16			16177	<a href="#">R1-1851</a>		57	112	5	48	30	<b>87,00</b>
<b>Leon III</b>	1.2TSI/1.4TGI/1.4TSI/1.6TDI/1.8TSI/2.0TDI/4-Drive	e9*2007/46*0094*	5F	12.12-	6½ J x 16	205/55R16			16178	<a href="#">R1-1852</a>		57	112	5	46	30	<b>87,20</b>
<b>Mii</b>	1.0/1.0-Hybrid	e13*2007/46*1168*, e13*2007/46*1183*	AA/AAN	03.12-	5 J x 14	165/70R14	175/65R14		14190	<a href="#">R1-1829</a>		57	100	4	35	54	<b>61,80</b>
<b>Toledo II/Leon</b>	1.4i/1.6i-16V/1.9SDi	e9*97/27*0026*, e9*98/14*0026*	1M	11.98-11.04	6 J x 14	175/80R14			14057	<a href="#">R1-1273</a>		57	100	5	38	45	<b>76,90</b>
<b>Toledo II/Leon</b>	1.4i-16V/1.6i-16V/1.8i-20V/1.9SDI/1.9TDI/1.9TDI-PD	e9*97/27*0026*, e9*98/14*0026*	1M	11.98-11.04	6 J x 15	195/65R15			15051	<a href="#">R1-1229</a>		57	100	5	38	40	<b>70,80</b>
<b>Toledo II/Leon</b>	1.6i-16V/1.8i-20V/1.8T/1.9SDI/1.9TDI/2.8iV6 4x4	e9*97/27*0026*, e9*98/14*0026*	1M	11.98-11.04	6½ J x 16	205/55R16			16007	<a href="#">R1-1345</a>		57	100	5	42	30	<b>114,90</b>
<b>Toledo III</b>	1.4/1.4TSI/1.6/1.8TSI/1.9TDI/2.0TDI/2.0TSI	a partire da e9*2001/116*0050*23	5P	10.08-12.09	6 J x 15	195/65R15			15155	<a href="#">R1-1489</a>		57	112	5	47	40	<b>69,30</b>
<b>Toledo III</b>	1.4/1.4TSI/1.6/1.8TSI/1.9TDI/2.0TDI/2.0TSI	e9*2001/116*0050*	5P	12.04-12.09	6 J x 16	205/55R16			16044	<a href="#">R1-1492</a>		57	112	5	50	30	<b>93,40</b>
<b>Toledo III</b>	1.4/1.4TSI/1.6/1.8TSI/1.9TDI/2.0TDI/2.0TSI	e9*2001/116*0050*	5P	12.04-12.09	6½ J x 16	205/55R16			16043	<a href="#">R1-1491</a>		57	112	5	50	30	<b>88,20</b>
<b>Toledo IV</b>	1.2/1.2TSI	e11*2007/46*0251*	NH	12.12-	5 J x 14	175/70R14			14082	<a href="#">R1-1399</a>		57	100	5	35	54	<b>69,50</b>
<b>Toledo IV</b>	1.2/1.2TSI/1.4/1.4TSI/1.6TDI	e11*2007/46*0251*	NH	12.12-	6 J x 15	185/60R15	195/55R15		15219	<a href="#">R1-1727</a>		57	100	5	38	40	<b>74,20</b>

# Skoda



R1-1200



R1-1229



R1-1273



R1-1345



R1-1361



R1-1399



R1-1414



R1-1489



R1-1491



R1-1492



R1-1519



R1-1672



R1-1727



R1-1754



R1-1829



R1-1850



R1-1851



R1-1852



R1-1921

Modello	Motorizzazioni	Omologazione del veicolo	Codice progetto	Anno di produzione	Misura ruota	Misura pneumatico			Disegno MWD	Disegno MW Aftermarket	Osservazioni	Dati tecnici				Pezzi per paletta	Prezzo EUR senza IVA
												Foro centrale	Interasse fori	Fori attacco	Offset		
Citigo	1.0MPI/1.0-Hybrid	e13*2007/46*1169*, e13*2007/46*1184*	AA/AAN	06.12-	5 J x 14	165/70R14	175/65R14		14190	R1-1829		57	100	4	35	54	61,80
Fabia	1.2i/1.4i/1.4i-16V/1.4TDI/1.9SDI	e11*98/14*0123*	6Y	12.99-04.07	5 J x 14	165/70R14			14082	R1-1399		57	100	5	35	54	69,50
Fabia	1.2i/1.4i/1.4i-16V/1.4TDI/1.9SDI/1.9TDI-PD	e11*98/14*0123*	6Y	12.99-04.07	6 J x 14	185/60R14			14083	R1-1200		57	100	5	43	48	70,00
Fabia/RS	1.2i/1.4i/1.4i-16V/1.4TDI/1.9SDI/1.9TDI-PD/2.0i	e11*98/14*0123*	6Y	12.99-04.07	6 J x 15	185/55R15	195/50R15		15154	R1-1519		57	100	5	43	40	81,90
Fabia/RS	1.2i/1.4i/1.4i-16V/1.4TDI/1.9SDI/1.9TDI-PD/2.0i	e11*98/14*0123*	6Y	07.03-04.07	6½ J x 16	205/45R16			16007	R1-1345		57	100	5	42	30	114,90
Fabia II	1.2/1.2TSI/1.4-16V/1.4TDI	fino a e11*2001/116*0291*42, fino a e11*2007/46*0013*19	5J	05.07-10.14	5 J x 14	165/70R14			14082	R1-1399		57	100	5	35	54	69,50
Fabia II	1.2/1.2TSI/1.4-16V/1.4TDI/1.6-16V/1.6TDI	fino a e11*2001/116*0291*42, fino a e11*2007/46*0013*19	5J	05.07-10.14	6 J x 14	185/60R14			14174	R1-1672		57	100	5	37	40	64,60
Fabia II/Scout	1.2/1.2TSI/1.4-16V/1.4TDI/1.6-16V/1.6TDI/1.9TDI/RS/Scout 1.2TSI/1.6TDI	fino a e11*2001/116*0291*42, fino a e11*2007/46*0013*19	5J	05.07-10.14	6 J x 15	185/55R15	185/60R15	195/55R15	15154	R1-1519		57	100	5	43	40	81,90
Fabia III	1.0MPI/1.2TSI/1.4TDI	a partire da e11*2001/116*0291*43, a partire da e11*2007/46*0013*20	5J	11.14-	5 J x 14	175/70R14			14082	R1-1399		57	100	5	35	54	69,50

<b>Fabia III</b>	1.0MPI/1.2TSI/1.4TDI	a partire da e11*2001/116*0291*43, a partire da e11*2007/46*0013*20	5J	11.14-	6 J x 15	185/60R14			15219	<a href="#">R1-1727</a>		57	100	5	38	40	<b>74,20</b>
<b>Octavia/Tour</b>	1.4i/1.6MPI/1.9SDI/Combi 1.6MPI/1.9SDI	e11*95/54*0066*, e11*2001/116*0066*, e11*2007/46*0011*	1U	04.97-12.10	6 J x 14	175/80R14			14057	<a href="#">R1-1273</a>		57	100	5	38	45	<b>76,90</b>
<b>Octavia/Tour</b>	1.4i/1.6MPI/1.8i-20V/1.9SDI/1.9TDI/4x4 Combi 1.6MPI/1.8i-20V/1.9SDI/1.9TDI/4x4	e11*95/54*0066*, e11*2001/116*0066*, e11*2007/46*0011*	1U	04.97-12.10	6 J x 15	195/65R15			15051	<a href="#">R1-1229</a>		57	100	5	38	40	<b>70,80</b>
<b>Octavia/Tour/RS</b>	1.4i/1.6MPI/1.8i-20V/1.8iRSTurbo/1.9SDI/1.9TDI/4x4 Combi 1.6MPI/1.8i-20V/1.9SDI/1.9TDI/4x4	e11*95/54*0066*, e11*2001/116*0066*, e11*2007/46*0011*	1U	04.97-12.10	6½ J x 16	205/55R16			16007	<a href="#">R1-1345</a>		57	100	5	42	30	<b>114,90</b>
<b>Octavia II</b>	1.2TSI/1.4-16V/1.4TSI/1.6MPI/1.6FSI/1.6TDI/1.8TSI/1.9TDI/2.0FSI/2.0TDI/Combi 4x4 1.6TDI/1.8TSI/2.0TDI	e11*2001/116*0230*, e11*2007/46*0012*	1Z	06.04-02.13	6 J x 15	195/65R15			15155	<a href="#">R1-1489</a>		57	112	5	47	40	<b>69,30</b>
<b>Octavia II/Scout/RS</b>	1.2TSI/1.4-16V/1.4TSI/1.6MPI/1.6FSI/1.6TDI/1.8TSI/1.9TDI/2.0FSI/2.0TDI/Combi 4x4 1.6TDI/1.8TSI/2.0TDI/Scout 1.8TSI/2.0TDI/RS2.0TFSI/2.0TDI	e11*2001/116*0230*, e11*2007/46*0012*	1Z	06.04-02.13	6 J x 16	205/55R16			16044	<a href="#">R1-1492</a>		57	112	5	50	30	<b>93,40</b>
<b>Octavia II</b>	1.2TSI/1.4-16V/1.4TSI/1.6MPI/1.6FSI/1.6TDI/1.8TSI/1.9TDI/2.0FSI/2.0TDI/Combi 4x4 1.6TDI/1.8TSI/2.0TDI	e11*2001/116*0230*, e11*2007/46*0012*	1Z	06.04-02.13	6½ J x 16	205/55R16			16043	<a href="#">R1-1491</a>		57	112	5	50	30	<b>88,20</b>
<b>Octavia III</b>	1.2TSI/1.6TDI	e11*2007/46*0243*	5E	03.13-	6 J x 15	195/65R15			15255	<a href="#">R1-1850</a>		57	112	5	43	40	<b>71,30</b>
<b>Octavia III</b>	1.2TSI/1.4FSI/1.6TDI/1.8TSI/2.0TDI/4x4	e11*2007/46*0243*	5E	03.13-	6 J x 16	205/55R16			16177	<a href="#">R1-1851</a>		57	112	5	48	30	<b>87,00</b>
<b>Octavia III</b>	1.2TSI/1.4FSI/1.6TDI/1.8TSI/2.0TDI/4x4	e11*2007/46*0243*	5E	03.13-	6½ J x 16	205/55R16			16178	<a href="#">R1-1852</a>		57	112	5	46	30	<b>87,20</b>
<b>Rapid/Spaceback</b>	1.2MPI/1.2TSI	e11*2007/46*0250*	NH	12.12-	5 J x 14	175/70R14			14082	<a href="#">R1-1399</a>		57	100	5	35	54	<b>69,50</b>
<b>Rapid/Spaceback</b>	1.2MPI/1.2TSI/1.4TSI/1.6TDI	e11*2007/46*0250*	NH	12.12-	6 J x 15	185/60R15	195/55R15		15219	<a href="#">R1-1727</a>		57	100	5	38	40	<b>74,20</b>
<b>Roomster</b>	1.2/1.2TSI/1.4-16V/1.4TDI	e11*2001/116*0291*	5J	06.06-	5 J x 14	175/70R14			14082	<a href="#">R1-1399</a>		57	100	5	35	54	<b>69,50</b>
<b>Roomster</b>	1.2/1.2TSI/1.4-16V/1.4TDI	e11*2001/116*0291*	5J	06.06-	6 J x 14	185/65R14			14174	<a href="#">R1-1672</a>		57	100	5	37	40	<b>64,60</b>
<b>Roomster/Scout</b>	1.2/1.2TSI/1.4-16V/1.4TDI/1.6-16V/1.6TDI/1.9TDI Scout 1.2TSI/1.6TDI	e11*2001/116*0291*, e11*2007/46*0013*	5J	06.06-	6 J x 15	185/55R15	185/60R15	195/55R15	15154	<a href="#">R1-1519</a>		57	100	5	43	40	<b>81,90</b>
<b>Superb</b>	1.8i-Turbo/1.9TDI/2.0i/2.0TDI/2.5TDI-V6/2.8i-V6	e11*98/14*0187*	3U	01.02-08.08	6 J x 16	205/55R16			16005	<a href="#">R1-1361</a>		57	112	5	40	40	<b>100,30</b>
<b>Superb</b>	1.8i-Turbo/1.9TDI/2.0i/2.0TDI/2.5TDI-V6/2.8i-V6	e11*98/14*0187*	3U	01.02-06.08	7 J x 16	205/55R16			16054	<a href="#">R1-1414</a>		57	112	5	37	30	<b>112,00</b>
<b>Superb II/Combi</b>	1.4TSI/1.8TSI/1.9TDI/2.0TDI/2.0TSI / Combi 1.8TSI 4x4/2.0TDI 4x4	fino a e11*2001/116*0326*31, fino a e11*2007/46*0014*21	3T	07.08-04.15	6 J x 16	205/55R16			16044	<a href="#">R1-1492</a>		57	112	5	50	30	<b>93,40</b>
<b>Superb II/Combi</b>	1.4TSI/1.8TSI/1.9TDI/2.0TDI/2.0TSI / Combi 1.8TSI 4x4/2.0TDI 4x4	fino a e11*2001/116*0326*31, fino a e11*2007/46*0014*21	3T	07.08-04.15	7 J x 16	205/55R16			16133	<a href="#">R1-1754</a>		57	112	5	45	24	<b>85,90</b>
<b>Superb III/Combi</b>	1.4TSI/1.6TDI/2.0TDI/2.0TSI/4x4	a partire da e11*2001/116*0326*32, a partire da e11*2007/46*0014*22	3T	05.15-	6½ J x 16	215/60R16			16219	<a href="#">R1-1921</a>		57	112	5	41	30	<b>87,70</b>
<b>Yeti</b>	1.2TSI/1.6TDI/1.8TSI/2.0TDI/4x4	e11*2007/46*0010*	5L	10.09-	6 J x 16	205/55R16			16044	<a href="#">R1-1492</a>		57	112	5	50	30	<b>93,40</b>
<b>Yeti</b>	1.2TSI/1.6TDI/1.8TSI/2.0TDI/4x4	e11*2007/46*0010*	5L	10.09-	7 J x 16	205/55R16	215/60R16		16133	<a href="#">R1-1754</a>		57	112	5	45	24	<b>85,90</b>

# Skoda veicoli commerciali

Modello	Motorizzazioni	Omologazione del veicolo	Codice progetto	Anno di produzione	Misura ruota	Misura pneumatico			Disegno MWD	Disegno MW Aftermarket	Osservazioni	Dati tecnici				Pezzi per paletta	Prezzo EUR senza IVA
												Foro centrale	Interasse fori	Fori attacco	Offset		
<b>Fabia Praktika</b>	1.2i/1.4i/1.4D/1.9D	L164	6Y	03.03-05.07	5 J x 14	165/70R14			14082	<b>R1-1399</b>		57	100	5	35	54	<b>69,50</b>
<b>Fabia Praktika</b>	1.2i/1.4TDI	L164	6Y	11.05-05.07	6 J x 14	185/60R14			14083	<b>R1-1200</b>		57	100	5	43	48	<b>70,00</b>
<b>Fabia Praktika</b>	1.2i/1.4TDI	L164	6Y	11.05-05.07	6 J x 15	185/55R15	195/50R15		15154	<b>R1-1519</b>		57	100	5	43	40	<b>81,90</b>
<b>Praktik</b>	1.2/1.2TSI/1.4-16V/1.4TDI	e11*2007/46*0013*, N083	5J	05.09-	5 J x 14	175/70R14			14082	<b>R1-1399</b>		57	100	5	35	54	<b>69,50</b>
<b>Praktik</b>	1.2/1.2TSI/1.4-16V	a partire da e11*2007/46*0013*04	5J	01.10-	6 J x 14	185/65R14			14174	<b>R1-1672</b>		57	100	5	37	40	<b>64,60</b>
<b>Praktik</b>	1.2/1.2TSI/1.4-16V/1.4TDI/1.6TDI	e11*2007/46*0013*, N083	5J	06.07-	6 J x 15	185/55R15	185/60R15	195/55R15	15154	<b>R1-1519</b>		57	100	5	43	40	<b>81,90</b>





R1-1168



R1-1405



R1-1406



R1-1574



R1-1575



R1-1697



R1-1698



R1-1935



R1-1936

Modello	Motorizzazioni	Omologazione del veicolo	Codice progetto	Anno di produzione	Misura ruota	Misura pneumatico			Disegno MWD	Disegno MW Aftermarket	Osservazioni	Dati tecnici				Pezzi per paletta	Prezzo EUR senza IVA
												Foro centrale	Interasse fori	Fori attacco	Offset		
Fortwo	Coupé 0.6i/0.8CDi/Cabrio/Crossblade 0.6i/0.8CDi Solo asse anteriore	e1*98/14D*0080*, e1*98/14*0080*	MC01	10.98-03.07	3½ J x 15	135/70R15			15137	R1-1168		57	112	3	20,5	64	67,00
Fortwo	Coupé 0.6i/0.8CDi/Cabrio/Crossblade 0.6i/0.8CDi Solo asse anteriore	e1*98/14D*0080*, e1*98/14*0080*	MC01	01.00-03.07	4 J x 15	135/70R15	145/65R15		15138	R1-1406		57	112	3	27	64	65,60
Fortwo	Coupé 0.6i/0.8CDi/Cabrio/Crossblade 0.6i/0.8CDi Solo asse posteriore	e1*98/14D*0080*, e1*98/14*0080*	MC01	10.98-03.07	5½ J x 15	175/55R15			15139	R1-1405		57	112	3	-1	48	68,90
Fortwo II	Coupé 1.0i/1.0mhd/1.0-Brabus/0.8cdi/electric Cabrio 1.0i/1.0mhd/1.0-Brabus/0.8cdi/electric Solo asse anteriore	fino a e1*2001/116*0413*21, e1*2007/46*0540*	451/451E	04.07-10.14	4½ J x 15	155/60R15			15202	R1-1697		57	112	3	23,5	56	63,50
Fortwo II	Coupé 1.0i/1.0mhd/1.0-Brabus/0.8cdi/electric Cabrio 1.0i/1.0mhd/1.0-Brabus/0.8cdi/electric Solo asse posteriore	fino a e1*2001/116*0413*21, e1*2007/46*0540*	451/451E	04.07-10.14	5½ J x 15	175/55R15			15203	R1-1698		57	112	3	22	48	65,10
Fortwo III (C453)	0.9/1.0 Solo asse anteriore	a partire da e1*2001/116*0413*22	451	11.14-	5 J x 15	165/65R15			15270	R1-1935		60	100	4	32	48	70,50
Fortwo III (C453)	0.9/1.0 Solo asse posteriore	a partire da e1*2001/116*0413*22	451	11.14-	5½ J x 15	185/60R15			15271	R1-1936		60	100	4	42	40	71,50
Forfour	1.1i/1.3i/1.5i/1.5CDi	e1*2001/116*0263*	454	04.04-07.06	5½ J x 14	175/65R14			14159	R1-1574		67	114,3	4	46	54	81,50
Forfour	1.1i/1.3i/1.5i/1.5CDi	e1*2001/116*0263*	454	04.04-07.06	6 J x 15	195/50R15			15177	R1-1575		67	114,3	4	46	40	95,30
Forfour II (W453)	0.9/1.0 Solo asse anteriore	a partire da e1*2001/116*0413*23	451	11.14-	5 J x 15	165/65R15			15270	R1-1935		60	100	4	32	48	70,50
Forfour II	0.9/1.0 Solo asse posteriore	a partire da e1*2001/116*0413*23	451	11.14-	5½ J x 15	185/60R15			15271	R1-1936		60	100	4	42	40	71,50

# Subaru



R1-1586



R1-1725



R1-1726



R1-1757



R1-1807



R1-1868

Modello	Motorizzazioni	Omologazione del veicolo	Codice progetto	Anno di produzione	Misura ruota	Misura pneumatico			Disegno MWD	Disegno MW Aftermarket	Osservazioni	Dati tecnici				Pezzi per palette	Prezzo EUR senza IVA
												Foro centrale	Interasse fori	Fori attacco	Offset		
BRZ	2.0i	e13*2007/46*1281*	ZC	03.12-	6½ JJ x 16	205/55R16			16126	R1-1725		56	100	5	48	30	110,20
Forester	2.0i/2.0i Turbo	e13*96/79*0029*, e1*97/27*0088*, e1*98/14*0088*	SF/SFS	05.97-09.02	6½ JJ x 16	215/55R16	215/60R16		16126	R1-1725		56	100	5	48	30	110,20
Forester	2.0i/2.0i-S-Turbo/2.5i-Turbo	e13*98/14*0087*	SG	10.02-12.05	6½ JJ x 16	215/60R16			16126	R1-1725		56	100	5	48	30	110,20
Forester	2.0i/2.0X/2.5XT	e1*2001/116*0209*	SG/SGS	01.06-03.08	6½ JJ x 16	205/60R16	205/65R16	215/60R16	16126	R1-1725		56	100	5	48	30	110,20
Forester	2.0X/2.0D/2.5XT Turbo	e13*2001/116*0982*, e1*2001/116*0485*	SH/SHS	04.08-09.12	6½ JJ x 16	215/65R16			16126	R1-1725		56	100	5	48	30	110,20
Forester	2.0X	e13*2007/46*1305*	SJ	10.12-	6½ JJ x 16	215/65R16			16126	R1-1725		56	100	5	48	30	110,20
Impreza	1.5R	e1*2001/116*0438*	G3	10.07-06.12	6 JJ x 15	195/65R15			15220	R1-1726		56	100	5	48	40	95,20
Impreza	1.6i/4WD	e1*2007/46*0597*	G4	07.12-	6 JJ x 15	195/65R15			15257	R1-1868		56	100	5	48	40	79,50
Impreza	1.6i/4WD	e1*2007/46*0597*	G4	07.12-	6½ JJ x 16	205/55R16			16126	R1-1725		56	100	5	48	30	110,20
Justy/Justy G3X	1.3i/1.3i-4WD/1.5i-4WD	e4*2001/116*0071*	NH	08.03-09.07	4½ J x 14	165/70R14			14167	R1-1586		54	100	4	45	48	60,80
Justy	1	e13*2003/97*0147*	M3	07.09-	5 J x 14	175/65R14			14184	R1-1757		54	100	4	40	54	97,80
Legacy	2.0i/2.0D/2.5i	e1*2007/46*0079*, e13*2007/46*1074*	BM-BR/BM-BRS	09.09-	6½ JJ x 16	205/60R16	205/65R16	215/55R16	16126	R1-1725		56	100	5	48	30	110,20
Legacy Outback	2.5i/2.5i-GX/3.0i-H6	e1*98/14*0108*, e1*98/14*0149*	BE-BH/BE-BHS	05.99-08.03	6½ JJ x 16	205/55R16	215/55R16	215/60R16	16126	R1-1725		56	100	5	48	30	110,20
Legacy Outback	2.5i/3.0i	e1*2001/116*0228*	BL-BP	09.03-08.09	6½ JJ x 16	215/60R16			16126	R1-1725		56	100	5	48	30	110,20
Legacy Outback	2.0D/2.5i/3.00R	e1*2001/116*0256*	BL-BP/BL-BPS	09.03-08.09	6½ JJ x 16	205/60R16	215/55R16	215/60R16	16126	R1-1725		56	100	5	48	30	110,20
Legacy Outback	2.0i/2.0D/2.5i	e13*2007/46*1074*	BM-BRS	09.09-	6½ JJ x 16	215/65R16	215/70R16	225/60R16	16126	R1-1725		56	100	5	48	30	110,20
Trezia	1.3i/1.4D	e11*2007/46*0021*	D1(a)	04.11-	5½ J x 15	185/65R15			15240	R1-1807		54	100	5	45	40	93,70



R1-1586



R1-1595



R1-1596



R1-1665



R1-1706



R1-1717



R1-1763



R1-1780



R1-1823



R1-1878



R1-1947



R1-1957



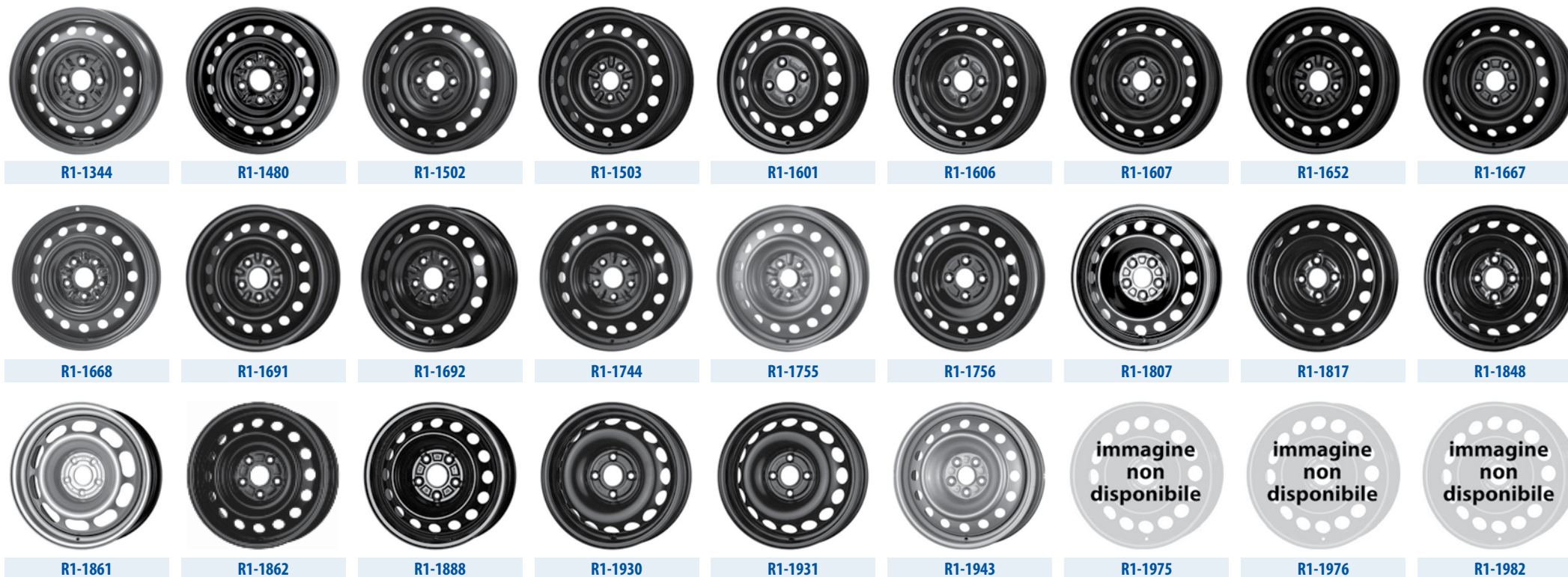
R1-1977

immagine  
non  
disponibile

Modello	Motorizzazioni	Omologazione del veicolo	Codice progetto	Anno di produzione	Misura ruota	Misura pneumatico		Disegno MWD	Disegno MW Aftermarket	Osservazioni	Dati tecnici				Pezzi per paletta	Prezzo EUR senza IVA
											Foro centrale	Interasse fori	Fori attacco	Offset		
<b>Alto</b>	1	e6*2001/116*0123*	GF	04.09-12.14	4½ J x 14	155/65R14		14185	<b>R1-1763</b>		54	100	4	45	63	<b>68,30</b>
<b>Baleno</b>	1.0/1.2	e6*2007/46*0177*	EW	04.16-	5 J x 15	175/65R15		15291	<b>R1-1977</b>	N	54	100	4	40	40	<b>65,80</b>
<b>Celerio</b>	1	e6*2007/46*0119*	LF	12.14-	5 J x 14	165/65R14		14202	<b>R1-1957</b>		54	100	4	45	56	<b>60,40</b>
<b>Ignis</b>	1.3DDiS/1.3i/1.3X-45/1.5i/4x4	e4*2001/116*0070*	MH	10.03-12.07	4½ J x 14	165/70R14		14167	<b>R1-1586</b>		54	100	4	45	48	<b>60,80</b>
<b>Kizashi</b>	2.4 4x2MT/4x4CVT	e4*2007/46*0142*	FR	10.10-12.14	6½ J x 16	215/60R16		16164	<b>R1-1823</b>		60	114,3	5	50	30	<b>101,50</b>
<b>Splash</b>	1.0/1.2/1.3DDiS	e4*2001/116*0130*, e4*2007/46*0283*	EX	05.08-12.14	5 J x 14	165/70R14		14162	<b>R1-1596</b>		54	100	4	45	48	<b>71,40</b>
<b>Splash</b>	1.0/1.2/1.3DDiS	e4*2001/116*0130*	EX	05.08-12.14	5½ J x 15	185/60R15		15216	<b>R1-1717</b>		54	100	4	50	40	<b>75,80</b>
<b>Swift</b>	1.3i/1.3D/1.5i/4WD	e4*2001/116*0090*, -/102*	EZ/MZ	05.05-10.10	5 J x 14	165/70R14		14162	<b>R1-1596</b>		54	100	4	45	48	<b>71,40</b>
<b>Swift</b>	1.2/1.5	e4*2001/116*0090*	EZ/MZ	09.05-10.10	5½ J x 15	185/60R15		15192	<b>R1-1595</b>		54	100	4	45	48	<b>82,90</b>
<b>Swift 1600 Sport</b>	1.6i-16V	e4*2001/116*0090*	MZ	07.06-10.10	6 J x 15	185/60R15		15210	<b>R1-1706</b>		60	114,3	5	50	40	<b>78,20</b>
<b>Swift</b>	1.2/1.2-4x4/1.3DDiS	e4*2007/46*0155*, -/198*	NZ/FZ	11.10-	5 J x 15	175/65R15		15234	<b>R1-1780</b>		54	100	4	40	40	<b>76,90</b>
<b>SX-4/SX4-Classic</b>	Streetline/City/1.5i/1.6-VVT/1.9-DDiS/2WD	e4*2001/116*0105*, -/124*	EY/GY	05.06-12.14	6 J x 15	195/65R15		15210	<b>R1-1706</b>		60	114,3	5	50	40	<b>78,20</b>
<b>SX-4/SX4-Classic</b>	Streetline/City/1.5i/1.6-VVT/1.9-DDiS/2.0-DDiS/2WD / Crossover/1.6-VVT/1.9-DDiS/2.0-DDiS/4WD	e4*2001/116*0105*, -/124*	EY/GY	05.06-12.14	6 J x 16	205/60R16		16096	<b>R1-1665</b>		60	114,3	5	50	25	<b>86,30</b>
<b>SX-4 S-Cross</b>	1.6/1.6-DDiS/2WD/4WD	e4*2007/46*0779*	JY	11.13-	6 J x 16	205/60R16		16185	<b>R1-1878</b>		60	114,3	5	50	30	<b>78,20</b>
<b>Vitara</b>	1.6/1.6DDiS/4x4	e4*2007/46*0928*	LY	04.15-	6½ J x 16	215/60R16		16223	<b>R1-1947</b>		60	114,3	5	50	30	<b>79,20</b>
<b>Wagon R+</b>	1.0i/1.3i/1.3i-4x4/1.3DDiS	e4*2001/116*0042*	MM	09.03-12.04	4½ J x 14	155/65R14	165/60R14	14167	<b>R1-1586</b>		54	100	4	45	48	<b>60,80</b>
<b>Wagon R+</b>	1.0i/1.3i/1.3D	e1*2001/116*0311*	H00	01.05-03.06	4½ J x 14	155/65R14	165/60R14	14167	<b>R1-1586</b>		54	100	4	45	48	<b>60,80</b>



# Toyota



Modello	Motorizzazioni	Omologazione del veicolo	Codice progetto	Anno di produzione	Misura ruota	Misura pneumatico		Disegno MWD	Disegno MW Aftermarket	Osservazioni	Dati tecnici				Pezzi per palette	Prezzo EUR senza IVA
											Foro centrale	Interasse fori	Fori attacco	Offset		
Auris	1.33VVT-i/1.4VVT-i/1.4D-4D	e11*2001/116*0299*, fino a e11*2001/116*0305*13	E15J(a)/E15UT(a)	03.07-12.12	6 J x 15	195/65R15		15204	R1-1692		60	114,3	5	39	40	92,50
Auris	1.33VVT-i/1.4VVT-i/1.4D-4D/1.6VVT-i/1.8VVT-i/2.0D-4D/2.2D-Cat	e11*2001/116*0299*, e11*2001/116*0305	E15J(a)/E15UT(a)	03.07-12.12	6½ J x 16	205/55R16		16112	R1-1691		60	114,3	5	45	30	103,30
Auris II/Touring Sport	1.33VVT-i/1.4D-4D	a partire da e11*2001/116*0305*14	E15UT(a)	01.13-	6 J x 15	195/65R15		15260	R1-1888		60	114,3	5	39	40	73,50
Auris II/Touring Sport	1.33VVT-i/1.4D-4D/1.6VVT-i/2.0D-4D Non monta su SW	a partire da e11*2001/116*0305*14, e11*2007/46*0672*	E15UT(a)/E18UM(a)	01.13-	6½ J x 16	205/55R16		16184	R1-1862		60	114,3	5	45	30	84,50
Avensis II	1.8VVT-i/2.0VVT-i/2.0D-4D/2.4VVT-i	e11*2001/116*0196*	T25	05.03-12.08	6½ J x 16	205/55R16		16047	R1-1503		54	100	5	45	30	107,00
Avensis II	2.0D-4D/2.2D-4D/2.2D-CAT	e11*2001/116*0196*	T25	07.05-12.08	6½ J x 16	205/55R16		16091	R1-1668		60	114,3	5	45	30	106,20
Avensis III	1.6VVT-i/1.8VVT-i/2.0VVT-i/2.0D-4D	e11*2001/116*0331*	T27	01.09-	6½ J x 16	205/60R16		16134	R1-1744		60	114,3	5	39	30	106,80
Avensis Verso	2.0VVT-i/2.0D4-D	e6*98/14*0083*, e6*2001/116*0083*	M2	09.01-12.05	6½ JJ x 15	205/65R15		15169	R1-1480		60	114,3	5	45	40	94,80



<b>Aygo</b>	1.0VVT-i/1.4D	fino a e11*2001/116*0236*10	AB1	05.05-06.14	4½ J x 14	155/65R14		14163	<b>R1-1601</b>		54	100	4	39	54	<b>66,70</b>
<b>Aygo II</b>	1.0VVTi/1.2VVTi	a partire da e11*2001/116*0236*11	AB1	07.14-	4½ J x 14	165/65R14		14198	<b>R1-1930</b>		54	100	4	35	54	<b>66,70</b>
<b>Aygo II</b>	1.0VVTi/1.2VVTi	a partire da e11*2001/116*0236*11	AB1	07.14-	4½ J x 15	165/60R15		15275	<b>R1-1931</b>		54	100	4	35	40	<b>75,50</b>
<b>C-HR</b>				12.16-	6½ J x 17			17022	<b>R1-1982</b>	N	60	114,3	5		25	<b>102,20</b>
<b>Corolla III (Toyota Europa)</b>	1.4VVT-i/1.6VVT-i/1.8VVTi-LTS/2.0D-4D	e11*98/14*0179*, -/181*, e11*2001/116*0179*, -/181*	E12U/E12T	02.02-02.07	6 JJ x 15	195/60R15		15146	<b>R1-1502</b>		54	100	4	45	40	<b>90,20</b>
<b>Corolla</b>	1.33VVT-i/1.4D-4D/1.6Valvematic	e11*2001/116*0304*09	E15EJ(a)	01.14-	6½ J x 16	205/55R16		16184	<b>R1-1862</b>		60	114,3	5	45	30	<b>84,50</b>
<b>Corolla Verso</b>	1.6VVTi/1.8VVTi/2.0D-4D/2.2D-4D/2.2D-CAT	e11*2001/116*0222*	R1	04.04-04.09	6½ J x 16	205/55R16		16092	<b>R1-1652</b>		60	114,3	5	45	30	<b>103,00</b>
<b>Hilux</b>	2WD 2.5D-4D/4WD 2.5D-4D/4WD 3.0D-4D	e11*2007/46*0148*, -149*	N2(EU,TSAM) N2(EU,TMT)	11.10-	6 J x 15	205/70R15		15290	<b>R1-1975</b>	N	60	114,3	5	45	40	<b>99,70</b>
<b>Hilux</b>	2WD 2.5D-4D/4WD 2.5D-4D/4WD 3.0D-4D	e11*2007/46*0148*, -149*	N2(EU,TSAM) N2(EU,TMT)	11.10-	6 J x 16	205R16C		16234	<b>R1-1976</b>	N	106	139,7	6	45	30	<b>116,80</b>
<b>IQ</b>	1.0VVT-i/1.3VVT-i/1.4D-4D	e6*2001/116*0119*	AJ1(a)	02.09-05.14	5 J x 15	175/65R15		15223	<b>R1-1756</b>		54	100	4	45	48	<b>84,20</b>
<b>Prius II</b>	1.5i Hybrid	e11*2001/116*0200*	HW2	03.04-05.09	6 J x 16	195/55R16		16135	<b>R1-1755</b>		54	100	5	45	30	<b>102,90</b>
<b>Prius III</b>	1.8VVT-i Hybrid	fino a e11*2001/116*0264*08	XW3(a)	06.09-	6 J x 16	195/60R16		16135	<b>R1-1755</b>		54	100	5	45	30	<b>102,90</b>
<b>Prius III</b>	1.8VVT-i Hybrid Per TPMS	a partire da e11*2001/116*0264*09	XW3(a)	06.09-	6 J x 16	195/60R16		16220	<b>R1-1943</b>		54	100	5	45	30	<b>102,90</b>
<b>Prius Plus</b>	1.8VVT-i-Hybrid	e11*2007/46*0157*	XW4(a)	03.12-	6½ J x 16	205/60R16		16134	<b>R1-1744</b>		60	114,3	5	39	30	<b>106,80</b>
<b>RAV4</b>	2.0VVT-i/2.2D-4D/2.2D-CAT	fino a e6*2001/116*0105*08	XA3(a)	03.06-01.13	6½ J x 16	215/70R16		16090	<b>R1-1667</b>		60	114,3	5	45	30	<b>116,80</b>
<b>RAV4</b>	2.0/2.0D-4D/2.2D-4D	a partire da e6*2001/116*0105*09	XA3(a)	02.13-	6½ J x 17	225/65R17		17010	<b>R1-1861</b>		60	114,3	5	39	25	<b>111,50</b>
<b>Verso/Verso Life</b>	1.6D-4D/1.6VVTi/1.8VVT/2.0D-4D	e11*2001/116*0350*	AR2	05.09-	6½ J x 16	205/60R16		16134	<b>R1-1744</b>		60	114,3	5	39	30	<b>106,80</b>
<b>Verso S</b>	1.33VVTi/1.4D-4D	e11*2007/46*0020*	XP12(a)	03.11-	5½ J x 15	185/65R15		15240	<b>R1-1807</b>		54	100	5	45	40	<b>93,70</b>
<b>Yaris/Yaris Verso</b>	1.0i/1.0VVT-i/1.3VVT-i/1.4D-4D/Verso 1.3VVT-i/1.4D-4D/1.5VVT-i	e6*98/14*0064*, -/66*, e6*2001/116*0064*, -/66*, e2*98/14*0248*, e2*2001/116*0248*	P1/P1F/P2	04.99-11.05	5½ J x 14	175/65R14		14123	<b>R1-1344</b>		54	100	4	45	48	<b>79,60</b>
<b>Yaris II</b>	1.0VVT-i	e11*2001/116*0248*, e11*2001/116*0249*	XP9/XP9F(a)	12.05-09.11	5 J x 14	165/70R14		14166	<b>R1-1606</b>		54	100	4	39	54	<b>77,70</b>
<b>Yaris II</b>	1.0VVT-i/1.3VVT-i/1.4D-4D/1.8VVT-i	e11*2001/116*0248*, e11*2001/116*0249*	XP9/XP9F(a)	12.05-09.11	5½ J x 15	185/60R15		15190	<b>R1-1607</b>		54	100	4	45	40	<b>88,80</b>
<b>Yaris III</b>	1.0VVT-i	e11*2007/46*0152*	XP13M(a)	10.11-	5 J x 14	175/70R14		14191	<b>R1-1848</b>		54	100	4	39	54	<b>79,60</b>
<b>Yaris III</b>	1.0VVT-i/1.3VVT-i/1.4D-4D/1.5VVT-i/Hybrid	e11*2007/46*0152*	XP13M(a)	10.11-	5 J x 15	175/65R15		15241	<b>R1-1817</b>		54	100	4	39	40	<b>88,80</b>

# Volkswagen



R1-878



R1-923



R1-993



R1-1014



R1-1200



R1-1224



R1-1229



R1-1273



R1-1282



R1-1345



R1-1361



R1-1374



R1-1375



R1-1399



R1-1404



R1-1408



R1-1410



R1-1414



R1-1482



R1-1489



R1-1491



R1-1492



R1-1505



R1-1529



R1-1597



R1-1614



R1-1647



immagine  
non  
disponibile

R1-1673



R1-1723



R1-1727



R1-1731



R1-1796



R1-1808



immagine  
non  
disponibile

R1-1809



R1-1810



R1-1829



R1-1850



R1-1851



R1-1852



R1-1859



R1-1921



immagine  
non  
disponibile

R1-1939



immagine  
non  
disponibile

R1-1958



immagine  
non  
disponibile

R1-1981

Modello	Motorizzazioni	Omologazione del veicolo	Codice progetto	Anno di produzione	Misura ruota	Misura pneumatico			Disegno MWD	Disegno MW Aftermarket	Oscilla- zioni	Dati tecnici				Pezzi per paletta	Prezzo EUR senza IVA
												Foro centrale	Interasse fori	Fori attacco	Offset		
<b>Beetle/Cabrio</b>	1.2TSI/1.4TSI/1.6TDI/2.0TDI/2.0TSI	e1*2007*46*0539*	16	10.11-	6½ J x 16	215/60R16			16162	<b>R1-1810</b>		57	112	5	44	30	<b>88,90</b>
<b>Bora/Variant</b>	1.6i/1.6FSI/1.9TDI/1.9TDI-PD/2.0i/2.3iV5/4-motion 1.8i/1.9TDI/1.9TDI-PD/2.3iV5	e1*96/79*0071*, e1*98/14*0071*, e1*2001/116*0071*	1J	10.98-12.04	6 J x 15	195/65R15			15051	<b>R1-1229</b>		57	100	5	38	40	<b>70,80</b>
<b>Bora/Variant</b>	1.6i/1.6FSI/1.8iV5-Turbo/2.0i/1.9TDI/1.9TDI-PD/2.3iV5/4-motion 1.8i/1.9TDI/1.9TDI-PD/2.3iV5/2.8iV6	e1*96/79*0071*, e1*98/14*0071*, e1*2001/116*0071*	1J	10.98-12.04	6½ J x 16	205/55R16			16007	<b>R1-1345</b>		57	100	5	42	36	<b>114,90</b>
<b>Caddy Life</b>	1.4i/1.6i/1.9TDI/2.0SDI/2.0Ecofuel/4-motion	fino a e1*2001/116*0252*41	2K	12.03-04.15	6 J x 15	195/65R15			15155	<b>R1-1489</b>		57	112	5	47	40	<b>69,30</b>
<b>Caddy Life/Maxi</b>	1.4/1.6/1.9TDI/2.0TDI/Ecofuel/4-motion / Maxi 1.6/1.9TDI/2.0TDI/Ecofuel/4-motion	fino a e1*2001/116*0252*41	2K	01.08-04.15	6 J x 16	205/55R16			16127	<b>R1-1731</b>		57	112	5	50	30	<b>89,40</b>
<b>Caddy Generation Four/Beach</b>	1.2TSI/1.4TSI/1.4TGI/2.0TDI	a partire da e1*2001/116*0252*42	2K	05.15-	6 J x 15	195/65R15			15155	<b>R1-1489</b>		57	112	5	47	40	<b>69,30</b>
<b>Caddy Generation Four/Beach</b>	1.2TSI/1.4TSI/1.4TGI/2.0TDI/4-motion	a partire da e1*2001/116*0252*42	2K	05.15-	6 J x 16	205/55R16			16127	<b>R1-1731</b>		57	112	5	50	30	<b>89,40</b>
<b>Corrado</b>	1.8i/1.8i-16V/2.0i/2.0i-16V	E664, E664/1	53I	09.91-12.95	6 J x 14	185/60R14			14031	<b>R1-878</b>		57	100	4	38	40	<b>90,70</b>
<b>EOS</b>	1.4TSI/1.6FSI/2.0FSI/2.0TFSI/2.0TDI/3.2V6	e1*2001/116*0349*	1F	05.06-	6½ J x 16	205/55R16			16077	<b>R1-1597</b>		57	112	5	42	30	<b>87,70</b>
<b>Fox</b>	1.2i/1.4i/1.4TDI	e1*2001/116*0301*	5Z	05.05-04.11	5 J x 14	165/70R14	175/70R14		14082	<b>R1-1399</b>		57	100	5	35	54	<b>69,50</b>
<b>Fox</b>	1.2i/1.4i/1.4TDI	e1*2001/116*0301*	5Z	05.05-04.11	6 J x 14	185/60R14			14083	<b>R1-1200</b>		57	100	5	43	48	<b>70,00</b>
<b>Fox</b>	1.2i/1.4i/1.4TDI	e1*2001/116*0301*	5Z	05.05-04.11	6 J x 15	195/55R15			15143	<b>R1-1505</b>		57	100	5	43	40	<b>83,80</b>
<b>Golf III/Vento</b>	1.4i/1.6i/1.8i/1.9D/1.9TD/1.9SDI/Variant 1.4i	F804, F894, e1*96/79*0068*	1HX0/1HX0F/1H	09.91-09.97	5½ J x 13	175/70R13			13046	<b>R1-923</b>		57	100	4	38	54	<b>80,60</b>
<b>Golf III/Vento</b>	1.4i/1.6i/1.8i/1.9D/1.9TD/1.9SDI/2.0i	F804, e1*96/79*0068*	1HX0/1H	09.93-09.97	6 J x 14	175/65R14	185/60R14	195/60R14	14017	<b>R1-993</b>		57	100	4	45	45	<b>90,90</b>
<b>Golf III Syncro</b>	1.8i	G156, e1*92/53*0004*, e1*93/81*0004*	1HX1	09.92-09.97	5½ J x 13	175/70R13			13046	<b>R1-923</b>		57	100	4	38	54	<b>80,60</b>
<b>Golf III Syncro</b>	1.8i/1.9TDI/2.0i	G156, e1*92/53*0004*	1HX1	09.92-09.97	6 J x 14	175/65R14	185/60R14	195/60R14	14017	<b>R1-993</b>		57	100	4	45	45	<b>90,90</b>
<b>Golf III Cabrio</b>	1.6i/1.8i/1.9TDI/2.0i	G407, e1*96/79*0070*, e1*98/14*0070*	1EX0/1E	07.93-12.02	6 J x 14	175/65R14	185/60R14		14017	<b>R1-993</b>		57	100	4	45	45	<b>90,90</b>
<b>Golf IV</b>	1.4i/1.6i/1.9SDI	e1*96/79*0071*, e1*98/14*0071*, e1*2001/116*0071*	1J	10.97-11.03	6 J x 14	175/80R14			14057	<b>R1-1273</b>		57	100	5	38	45	<b>76,90</b>
<b>Golf IV/Variant</b>	1.4i/1.6i/1.6FSI/1.8i/1.9SDI/1.9TDI/1.9TDI-PD/2.3iV5/4-motion 1.8i/1.9TDI/1.9TDI-PD	e1*96/79*0071*, e1*98/14*0071*, e1*2001/116*0071*	1J	10.97-11.03	6 J x 15	195/65R15			15051	<b>R1-1229</b>		57	100	5	38	40	<b>70,80</b>
<b>Golf IV/Variant</b>	1.4i/1.6i/1.6FSI/1.8i/1.8iGTi/1.9SDI/1.9TDI/1.9TDI-PD/2.3iV5/4-motion 1.8i/1.9TDI/1.9TDI-PD/2.3iV5/2.8iV6	e1*96/79*0071*, e1*98/14*0071*, e1*2001/116*0071*	1J	10.97-11.03	6½ J x 16	205/55R16			16007	<b>R1-1345</b>		57	100	5	42	36	<b>114,90</b>
<b>Golf V</b>	1.4i/1.6i/1.6FSI/1.8i/1.9SDI/1.9TDI/1.9TDI-PD/2.3iV5/4-motion 1.8i/1.9TDI/1.9TDI-PD	fino a e1*2001/116*0242*24	1K	12.03-09.08	6 J x 15	195/65R15	205/60R15		15155	<b>R1-1489</b>		57	112	5	47	40	<b>69,30</b>
<b>Golf V</b>	1.4i/1.4FSI/1.4TSI/1.6i/1.6FSI/1.9TDI/2.0FSI/2.0SDI/2.0TDI/2.0GTI/4-motion 1.9TDI/2.0TDI/2.0FSI	fino a e1*2001/116*0242*24	1K	12.03-09.08	6 J x 16	205/55R16			16044	<b>R1-1492</b>		57	112	5	50	30	<b>93,40</b>
<b>Golf V</b>	1.4i/1.4FSI/1.4TSI/1.6i/1.6FSI/1.9TDI/2.0FSI/2.0SDI/2.0TDI/4-motion 1.9TDI/2.0TDI/2.0FSI	fino a e1*2001/116*0242*24	1K	12.03-09.08	6½ J x 16	205/55R16			16043	<b>R1-1491</b>		57	112	5	50	30	<b>88,20</b>
<b>Golf V Variant</b>	1.4/1.4TSI/1.6/1.9TDI/2.0TDI	fino a e1*2001/116*0328*14	1KM	05.07-08.09	6 J x 15	195/65R15	205/60R15		15155	<b>R1-1489</b>		57	112	5	47	40	<b>69,30</b>
<b>Golf V Variant</b>	1.4/1.4TSI/1.6/1.9TDI/2.0TDI/2.0TSI/4-motion 1.9TDI	fino a e1*2001/116*0328*14	1KM	05.07-08.09	6 J x 16	205/55R16			16044	<b>R1-1492</b>		57	112	5	50	30	<b>93,40</b>
<b>Golf V Variant</b>	1.4/1.4TSI/1.6/1.9TDI/2.0TDI/2.0TSI/4-motion 1.9TDI	fino a e1*2001/116*0328*14	1KM	05.07-08.09	6½ J x 16	205/55R16			16043	<b>R1-1491</b>		57	112	5	50	30	<b>88,20</b>



# Volkswagen (segue)

Modello	Motorizzazioni	Omologazione del veicolo	Codice progetto	Anno di produzione	Misura ruota	Misura pneumatico			Disegno MWD	Disegno MW Aftermarket	Oscilla-zioni	Dati tecnici				Pezzi per paletta	Prezzo EUR senza IVA
												Foro centrale	Interasse fori	Fori attacco	Offset		
<b>Golf V Plus/Cross</b>	1.4i/1.4TSI/1.6i/1.6FSI/1.9TDI/2.0FSI/2.0TDI/Cross 1.4TSI/1.6/1.9TDI/2.0TDI	fino a e1*2001/116*0304*13	1KP	02.05-12.08	6 J x 15	195/65R15	205/60R15		15155	<b>R1-1489</b>		57	112	5	47	40	<b>69,30</b>
<b>Golf V Plus/Cross</b>	1.4i/1.4TSI/1.6i/1.6FSI/1.9TDI/2.0FSI/2.0TDI/Cross 1.4TSI/1.6/1.9TDI/2.0TDI	fino a e1*2001/116*0304*13	1KP	02.05-12.08	6 J x 16	205/55R16			16044	<b>R1-1492</b>		57	112	5	50	30	<b>93,40</b>
<b>Golf V Plus/Cross</b>	1.4i/1.4TSI/1.6i/1.6FSI/1.9TDI/2.0FSI/2.0TDI/Cross 1.4TSI/1.6/1.9TDI/2.0TDI	fino a e1*2001/116*0304*13	1KP	02.05-12.08	6½ J x 16	205/55R16			16043	<b>R1-1491</b>		57	112	5	50	30	<b>88,20</b>
<b>Golf VI Cabrio</b>	1.2TSI/1.4TSI/1.6TDI/2.0TDI	e1*2001/116*0242*	1K	06.11-	6 J x 15	195/65R15	205/60R15		15155	<b>R1-1489</b>		57	112	5	47	40	<b>69,30</b>
<b>Golf VI Cabrio</b>	1.2TSI/1.4TSI/1.6TDI/2.0GTI/2.0TDI/2.0TSI	e1*2001/116*0242*	1K	06.11-	6 J x 16	205/55R16			16044	<b>R1-1492</b>		57	112	5	50	30	<b>93,40</b>
<b>Golf VI Cabrio</b>	1.2TSI/1.4TSI/1.6TDI/2.0GTI/2.0TDI/2.0TSI	e1*2001/116*0242*	1K	06.11-	6½ J x 16	205/55R16			16043	<b>R1-1491</b>		57	112	5	50	30	<b>88,20</b>
<b>Golf VI Plus/Cross</b>	1.2TSI/1.4/1.4TSI/1.6/1.6BiFuel/1.6TDI/2.0TDI/Plus 1.2TSI/1.4/1.4TSI/1.6/1.6BiFuel/1.6TDI/2.0TDI	a partire da e1*2001/116*0242*25, a partire da -/304*14, fino a e1*2007/46*0490*04	1K/1KP	10.08-04.14	6 J x 15	195/65R15	205/60R15		15155	<b>R1-1489</b>		57	112	5	47	40	<b>69,30</b>
<b>Golf VI Plus/Cross</b>	1.2TSI/1.4/1.4TSI/1.6/1.6TDI/2.0TDI/2.0GTD/2.0GTi/4-motion/Plus 1.2TSI/1.4/1.4TSI/1.6/1.6BiFuel/1.6TDI/2.0TDI	a partire da e1*2001/116*0242*25, a partire da -/304*14, fino a e1*2007/46*0490*04, -/491*	1K/1KP	10.08-04.14	6 J x 16	205/55R16			16044	<b>R1-1492</b>		57	112	5	50	30	<b>93,40</b>
<b>Golf VI Plus/Cross</b>	1.2TSI/1.4/1.4TSI/1.6/1.6TDI/2.0TDI/2.0GTD/2.0GTi/4-motion/Plus 1.2TSI/1.4/1.4TSI/1.6/1.6BiFuel/1.6TDI/2.0TDI	a partire da e1*2001/116*0242*25, a partire da -/304*14, fino a e1*2007/46*0490*04, -/491*	1K/1KP	10.08-04.14	6½ J x 16	205/55R16			16043	<b>R1-1491</b>		57	112	5	50	30	<b>88,20</b>
<b>Golf VI Variant</b>	1.2TSI/1.4/1.4TSI/1.6/1.6TDI	a partire da e1*2001/116*0328*15	1KM	09.09-04.14	6 J x 15	195/65R15	205/60R15		15155	<b>R1-1489</b>		57	112	5	47	40	<b>69,30</b>
<b>Golf VI Variant</b>	1.2TSI/1.4/1.4TSI/1.6/1.6TDI/2.6TDI-4-motion/2.0TDI	a partire da e1*2001/116*0328*15, fino a 1*2007/46*0492*05	1KM	09.09-04.14	6 J x 16	205/55R16			16044	<b>R1-1492</b>		57	112	5	50	30	<b>93,40</b>
<b>Golf VI Variant</b>	1.2TSI/1.4/1.4TSI/1.6/1.6TDI/2.6TDI-4-motion/2.0TDI	a partire da e1*2001/116*0328*15, fino a 1*2007/46*0492*05	1KM	09.09-04.14	6½ J x 16	205/55R16			16043	<b>R1-1491</b>		57	112	5	50	30	<b>88,20</b>
<b>Golf VII</b>	1.2TSI/1.4TSI/1.6TDI/2.0TDI/4-motion/e-Golf (85kW)	e1*2007/46*0623*, a partire da e1*2007/0490*05	AU/1K	12.12-	6 J x 15	195/65R15			15255	<b>R1-1850</b>		57	112	5	43	40	<b>71,30</b>
<b>Golf VII</b>	1.2TSI/1.4TSI/1.6TDI/2.0TDI/2.0GTI/4-motion/e-Golf (85kW)	e1*2007/46*0623*, a partire da e1*2007/0490*05	AU/1K	12.12-	6 J x 16	205/55R16			16177	<b>R1-1851</b>		57	112	5	48	30	<b>87,00</b>
<b>Golf VII</b>	1.2TSI/1.4TSI/1.6TDI/2.0TDI/2.0GTI/4-motion/e-Golf (85kW)	e1*2007/46*0623*, a partire da e1*2007/0490*05	AU/1K	12.12-	6½ J x 16	205/55R16			16178	<b>R1-1852</b>		57	112	5	46	30	<b>87,20</b>
<b>Golf VII Variant/Sportsvan</b>	1.2TSI/1.4TSI/1.4TGI/1.6TDI/2.0TDI/4-motion	e1*2007/46*0627*, a partire da e1*2007/46*0492*06	AUV/1KM	05.14-	6 J x 15	195/65R15			15255	<b>R1-1850</b>		57	112	5	43	40	<b>71,30</b>
<b>Golf VII Variant/Sportsvan</b>	1.2TSI/1.4TSI/1.4TGI/1.6TDI/2.0TDI/4-motion	e1*2007/46*0627*, a partire da e1*2007/46*0492*06	AUV/1KM	05.14-	6 J x 16	205/55R16			16177	<b>R1-1851</b>		57	112	5	48	30	<b>87,00</b>
<b>Golf VII Variant/Sportsvan</b>	1.2TSI/1.4TSI/1.4TGI/1.6TDI/2.0TDI/4-motion	e1*2007/46*0627*, a partire da e1*2007/46*0492*06	AUV/1KM	05.14-	6½ J x 16	205/55R16			16178	<b>R1-1852</b>		57	112	5	46	30	<b>87,20</b>
<b>Jetta</b>	1.4TSI/1.6/1.6TDI/1.9TDI/2.0FSI/2.0TDI	fino a e1*2001/116*0328*14	1KM	09.05-12.10	6 J x 15	195/65R15	205/60R15		15155	<b>R1-1489</b>		57	112	5	47	40	<b>69,30</b>
<b>Jetta</b>	1.4TSI/1.6/1.6TDI/1.9TDI/2.0FSI/2.0TDI/2.0TSI	e1*2001/116*0328*	1KM	09.05-12.10	6 J x 16	205/55R16			16044	<b>R1-1492</b>		57	112	5	50	30	<b>93,40</b>
<b>Jetta</b>	1.4TSI/1.6/1.6TDI/1.9TDI/2.0FSI/2.0TDI/2.0TSI	e1*2001/116*0328*	1KM	09.05-12.10	6½ J x 16	205/55R16			16043	<b>R1-1491</b>		57	112	5	50	30	<b>88,20</b>
<b>Jetta</b>	1.2TSI/1.6TDI/2.0TDI	e1*2007/46*0539*	16	01.11-	6 J x 15	195/65R15	205/60R15		15155	<b>R1-1489</b>		57	112	5	47	40	<b>69,30</b>
<b>Jetta</b>	1.2TSI/1.4TSI/1.6TDI/2.0TDI/2.0TSI	e1*2007/46*0539*	16	01.11-	6 J x 16	205/55R16			16044	<b>R1-1492</b>		57	112	5	50	30	<b>93,40</b>



<b>Jetta</b>	1.2TSI/1.6TDI/2.0TDI/2.0TSI	e1*2007/46*0539*	16	01.11-	6½ J x 16	205/55R16			16043	<a href="#">R1-1491</a>	57	112	5	50	30	<b>88,20</b>
<b>Lupo</b>	1.0i	e1*97/27*0085*, e1*98/14*0085*, e1*2001/116*0085*	6X	10.98-12.04	4½ J x 13	155/70R13			13002	<a href="#">R1-1375</a>	57	100	4	35	63	<b>56,60</b>
<b>Lupo</b>	1.0i/1.4i/1.7SDI	e1*97/27*0085*, e1*98/14*0085*, e1*2001/116*0085*	6X	10.98-12.04	5½ J x 13	175/65R13			13003	<a href="#">R1-1374</a>	57	100	4	43	54	<b>61,80</b>
<b>New Beetle/Cabrio</b>	1.4i/1.6i/1.8T/1.9TDI/2.0i	e1*97/27*0106*, e1*98/14*0106*, e1*2001/116*0106*, -/205*	9C/1Y	10.98-07.12	6 J x 15	195/65R15			15051	<a href="#">R1-1229</a>	57	100	5	38	40	<b>70,80</b>
<b>New Beetle/Cabrio</b>	1.4i/1.6i/1.8T/1.9TDI/2.0i/2.3iV5 Cabrio 1.4i/1.6i/1.8T/1.9TDI/2.0i	e1*97/27*0106*, e1*98/14*0106*, e1*2001/116*0106*, -/205*	9C/1Y	10.98-07.12	6½ J x 16	205/55R16			16007	<a href="#">R1-1345</a>	57	100	5	42	36	<b>114,90</b>
<b>Passat/Variant</b>	1.6i/1.6TD/1.8i/1.9D/TD/TDI/2.0i/2.0i-16V/Syncro 2.0i	E657, E657/1, E960	35I/35I-299	04.88-12.96	6 J x 14	165/70R14	185/65R14	195/60R14	14031	<a href="#">R1-878</a>	57	100	4	38	40	<b>90,70</b>
<b>Passat/Variant</b>	1.6i/1.8iV5/1.9TDI/2.3iVR5/2.5iV6TDI/2.8iV6/4-motion 1.8iV5/1.9TDI/2.3iVR5/2.5iV6TDI/2.8iV6	e1*95/54*0043*, e1*98/14D0043*, e1*98/14*0043*	3B	10.96-10.00	6 J x 15	195/65R15			15079	<a href="#">R1-1014</a>	57	112	5	45	40	<b>73,40</b>
<b>Passat/Variant</b>	1.6i/1.8iV5-Turbo/1.9TDI-PD/2.0i/4-motion 1.9TDI/1.9TDI-PD/2.0i	e1*98/14*0157*, e1*2001/116*0157*	3BG	11.00-02.05	6 J x 15	195/65R15			15079	<a href="#">R1-1014</a>	57	112	5	45	40	<b>73,40</b>
<b>Passat/Variant</b>	1.6i/1.8iV5-Turbo/1.9TDI/1.9TDI-PD/2.0i/2.3iV5/2.5iV6-TDI/4-motion 1.9TDI/1.9TDI-PD/2.3iV5/2.5iV6-TDI/2.8i	e1*98/14*0157*, e1*2001/116*0157*	3BG	11.00-02.05	6 J x 16	205/55R16			16005	<a href="#">R1-1361</a>	57	112	5	40	40	<b>100,30</b>
<b>Passat/Variant</b>	1.6i/1.8iV5-Turbo/1.9TDI/1.9TDI-PD/2.0i/2.3iV5/2.5iV6-TDI/4-motion 1.9TDI/1.9TDI-PD/2.3iV5/2.5iV6-TDI/2.8i	e1*98/14*0157*, e1*2001/116*0157*	3BG	11.00-02.05	7 J x 16	205/55R16			16054	<a href="#">R1-1414</a>	57	112	5	37	30	<b>112,00</b>
<b>Passat/Variant</b>	1.4TSI/1.6i/1.6FSI/1.6TSI/1.6TDI/1.8TSI/1.9TDI/2.0TDI/2.0BlueTDI/2.0FSI/2.0TSI/4-motion	fino a e1*2001/116*0307*23	3C	03.05-09.10	6½ J x 16	205/55R16	215/55R16		16077	<a href="#">R1-1597</a>	57	112	5	42	30	<b>87,70</b>
<b>Passat/Variant</b>	1.4TSI/1.6TDI/1.6TSI/1.8TSI/2.0TDI/4-motion	a partire da e1*2001/116*0307*24 fino a *36, e1*2007/46*0502*, -/547*, DE2007/46*0547*	3C/3c	10.10-09.14	6½ J x 16	205/55R16	215/55R16		16077	<a href="#">R1-1597</a>	57	112	5	42	30	<b>87,70</b>
<b>Passat/Variant (MY 2015)</b>	1.4TSI/1.6TDI/1.8TSI/2.0TDI/4-motion	a partire da e1*2001/116*0307*37	3C	10.14-	6½ J x 16	215/60R16			16219	<a href="#">R1-1921</a>	57	112	5	41	30	<b>87,70</b>
<b>Polo III</b>	1.0i 45/1.4i 60	G774, G951, e1*96/79*0069*, e1*98/14*0069*	6N/6NF	10.94-11.01	4½ J x 13	155/70R13			13002	<a href="#">R1-1375</a>	57	100	4	35	63	<b>56,60</b>
<b>Polo III</b>	1.0i 45/1.4i 60/1.6i 75/1.7SDI 60S/1.9D 64	G774, G951, e1*96/79*0069*, e1*98/14*0069*	6N/6NF	10.94-11.01	5½ J x 13	175/65R13			13003	<a href="#">R1-1374</a>	57	100	4	43	54	<b>61,80</b>
<b>Polo III</b>	1.0i 45/1.4i 60/1.4TDI/1.6i 75/1.7SDI 60S/1.9D 64/1.6GTI 100	e1*96/79*0069*	6N	10.94-11.01	6 J x 14	185/55R14			14017	<a href="#">R1-993</a>	57	100	4	45	45	<b>90,90</b>
<b>Polo IV</b>	1.2i/1.4i/1.4FSI/1.4TDI-PD/1.9SDI/1.4TDI BlueMotion	e1*98/14*0174*, e1*2001/116*0174*	9N	12.01-04.09	5 J x 14	165/70R14			14082	<a href="#">R1-1399</a>	57	100	5	35	54	<b>69,50</b>
<b>Polo IV</b>	1.2i/1.4i/1.4i-16V/1.4FSI/1.4TDI-PD/1.6i-16V/1.9SDI/1.9TDI-PD	e1*98/14*0174*, e1*2001/116*0174*	9N	12.01-04.09	6 J x 14	185/60R14			14083	<a href="#">R1-1200</a>	57	100	5	43	48	<b>70,00</b>
<b>Polo IV</b>	1.2i/1.4i/1.4i-16V/1.4FSI/1.4TDI-PD/1.6i-16V/1.8-GTI/1.9SDI/1.9TDI-PD	e1*98/14*0174*, e1*2001/116*0174*	9N	12.01-04.09	6 J x 15	185/55R15	195/50R15	195/55R15	15143	<a href="#">R1-1505</a>	57	100	5	43	40	<b>83,80</b>
<b>Polo IV Fun/Cross</b>	1.2i/1.4i/1.4FSI/1.4i-16V/1.4TDI/1.6i-16V/1.9TDI Telaio rialzato	e1*2001/116*0174*	9N	01.04-04.09	6 J x 15	185/60R15			15051	<a href="#">R1-1229</a>	57	100	5	38	40	<b>70,80</b>
<b>Polo IV GTI Cup Edition</b>	1.8T	e1*2001/116*0174*	9N	06.06-04.09	6½ J x 16	205/45R16			16007	<a href="#">R1-1345</a>	57	100	5	42	36	<b>114,90</b>
<b>Polo V</b>	1.0TSI/1.2/1.2TDI/1.2TSI/1.4/1.4BiFuel/1.4TDI/1.6TDI	e1*2001/116*0510*, e1*2007/46*0486*	6R	05.09-	5 J x 14	175/70R14			14082	<a href="#">R1-1399</a>	57	100	5	35	54	<b>69,50</b>
<b>Polo V</b>	1.2/1.2TDI/1.2TSI/1.4/1.4BiFuel/1.4GTI/1.6TDI/Cross	e1*2001/116*0510*, e1*2007/46*0486*	6R	05.09-	6 J x 15	185/60R15			15219	<a href="#">R1-1727</a>	57	100	5	38	40	<b>74,20</b>
<b>Polo GTI</b>	1.4TSI/2.0TSI	e1*2001/116*0510*	6R	11.12-	6 J x 16	195/50R16			16192	<a href="#">R1-1939</a>	57	100	5	40	30	<b>83,70</b>

# Volkswagen (segue)

Modello	Motorizzazioni	Omologazione del veicolo	Codice progetto	Anno di produzione	Misura ruota	Misura pneumatico			Disegno MWD	Disegno MW Aftermarket	Osservazioni	Dati tecnici				Pezzi per paletta	Prezzo EUR senza IVA
												Foro centrale	Interasse fori	Fori attacco	Offset		
<b>Scirocco III</b>	1.4TSI/1.8TSI/2.0TSI/2.0TDI	e1*2001/116*0471*	13	08.08-	6½ J x 16	205/55R16			16077	<b>R1-1597</b>		57	112	5	42	30	<b>87,70</b>
<b>Sharan</b>	1.8T-5V/1.9TDI/2.0i	e1*98/14*0023*	7M	09.95-05.01	6 J x 15	195/65R15	205/60R15		15128	<b>R1-1410</b>		57	112	5	55	40	<b>96,00</b>
<b>Sharan</b>	1.8i-V5 Turbo/1.9TDI/2.0i/2.8iVR6/4-motion 1.9TDI/2.8iVR6	e1*98/14*0023*, e1*2001/116*0023*	7M	07.00-06.10	6 J x 16	195/60R16	215/55R16		16011	<b>R1-1408</b>		57	112	5	53	40	<b>111,10</b>
<b>Sharan II</b>	1.4TSI/2.0TDI/4-motion	e1*2007/46*0401*, -/434*	7N	07.10-	6½ J x 16	205/60R16	215/60R16		16117	<b>R1-1723</b>		57	112	5	33	30	<b>93,20</b>
<b>Tiguan</b>	1.4-TSI/2.0TDI/2.0-TFSI/4-motion	e1*2001/116*0450*, e1*2007/46*0487*	5N	12.07-04.16	6½ J x 16	215/65R16			16117	<b>R1-1723</b>		57	112	5	33	30	<b>93,20</b>
<b>Tiguan II</b>	2.0TSI 4-motion			05.16-	6½ J x 17	215/65R17			17021	<b>R1-1981</b>	N	57	112	5	38	25	<b>92,50</b>
<b>Touareg</b>	VR5-TDI	e1*2001/116*0203*	7L	01.03-03.10	7 J x 16	235/70R16			16060	<b>R1-1482</b>		65,1	120	5	54	30	<b>165,60</b>
<b>Touran/Cross</b>	1.4TSI/1.6/1.6TDI/1.9TDI/2.0FSI/2.0TDI/2.0-Ecofuel/Cross 1.4TSI/1.6/1.9TDI/2.0TDI	fino a e1*2001/116*0211*35, fino a e1*2007/46*0357*13, DE*2007/46*0506*, e1*2007/46*0506*	1T/1t	03.03-08.15	6 J x 15	195/65R15			15155	<b>R1-1489</b>		57	112	5	47	40	<b>69,30</b>
<b>Touran/Cross</b>	1.4TSI/1.6/1.6TDI/1.9TDI/2.0FSI/2.0TDI/2.0-Ecofuel/Cross 1.4TSI/1.6/1.9TDI/2.0TDI	fino a e1*2001/116*0211*35, fino a e1*2007/46*0357*13, DE*2007/46*0506*	1T/1t	03.03-08.15	6 J x 16	205/55R16			16044	<b>R1-1492</b>		57	112	5	50	30	<b>93,40</b>
<b>Touran</b>	1.4TSI/1.6/1.6TDI/1.9TDI/2.0FSI/2.0TDI/2.0-Ecofuel	fino a e1*2001/116*0211*35, fino a e1*2007/46*0357*13, -/506*, DE*2007/46*0506*	1T/1t	03.03-08.15	6½ J x 16	205/55R16			16043	<b>R1-1491</b>		57	112	5	50	30	<b>88,20</b>
<b>Touran II</b>	1.2TSI/1.6TDI/2.0TDI	a partire da e1*2001/116*0211*36, a partire da e1*2007/46*0357*14	1T	09.15-	6½ J x 16	205/60R16			16224	<b>R1-1958</b>		57	112	5	48	30	<b>85,70</b>
<b>T4 Caravelle/California</b>	2.0i/2.4TD/2.5-V5TDI/2.8-V6	H297, H298, H299, H306, e1*96/79*0067*, e1*96/79*0066*, e1*98/14*0067*, e1*98/14P0120*	70X02C/70X02B/70X12C/70X12B/70DB/70DW/70DWA	01.96-04.03	6 J x 15	195/70R15	205/65R15	215/65R15	15089	<b>R1-1224</b>		57	112	5	55	40	<b>107,80</b>
<b>T4 Caravelle/California</b>	2.5i/2.5TDI/VR6	e1*97/27*0095*, e1*98/14*0095*, e1*98/14P0143*	7DZ/7DZA	04.98-03.00	6 J x 16	205/60R16	205/60R16	215/60R16	16011	<b>R1-1408</b>		57	112	5	53	40	<b>111,10</b>
<b>T5 Multivan/California/Caravelle</b>	1.9TDI/2.0i/2.5TDI/4-motion	e1*2001/116*0218*, -/286*, fino a -/220*35, fino a -/289*24	7HM/7HM/7HC/7HCA	05.03-07.15	6½ J x 16	205/65R16	215/65R16		16055	<b>R1-1529</b>		65,1	120	5	51	30	<b>113,30</b>
<b>T5 Multivan/California/Caravelle</b>	1.9TDI/2.0i/2.0TDI/2.5TDI/3.2i-V6/4-motion	e1*2001/116*0218*, -/286*, fino a -/220*35, fino a -/289*24	7HM/7HM/7HC/7HCA	05.03-07.15	7 J x 17	215/60R17	235/55R17		17002	<b>R1-1614</b>		65,1	120	5	55	25	<b>145,20</b>
<b>T6 Multivan/California/Caravelle</b>	2.0TDI/4-motion	a partire da e1*2001/116*0220*36, a partire da e1*2001/116*0289*25, a partire da e1*2007/46*0130*16	7HC/7HMA/7JO	08.15-	6½ J x 16	205/65R16	215/65R16		16055	<b>R1-1529</b>		65,1	120	5	51	30	<b>113,30</b>
<b>T6 Multivan/California/Caravelle</b>	2.0TDI/4-motion	a partire da e1*2001/116*0220*36, a partire da e1*2001/116*0289*25, a partire da e1*2007/46*0130*16	7HC/7HMA/7JO	08.15-	7 J x 17	215/60R17	235/55R17		17002	<b>R1-1614</b>		65,1	120	5	55	25	<b>145,20</b>
<b>UP/e-UP/Cross-UP</b>	1.0TSI/Hybrid/electric	e13*2007/46*1167*, e13*2007/46*1182*	AA/AAN	12.11-	5 J x 14	165/70R14	175/65R14		14190	<b>R1-1829</b>		57	100	4	35	54	<b>61,80</b>

# Volkswagen veicoli commerciali

Modello	Motorizzazioni	Omologazione del veicolo	Codice progetto	Anno di produzione	Misura ruota	Misura pneumatico			Disegno MWD	Disegno MW Aftermarket	Oscilla-zioni	Dati tecnici				Pezzi per paletta	Prezzo EUR senza IVA
												Foro centrale	Interasse fori	Fori attacco	Offset		
<b>Amarok</b>	2.0TDI/2.0TDI-BMT/2.0BiTDI/2.0BiTDI-BMT/2x4/4x4	e1*2007/46*0356*, -/750*	2H/2HS2	10.10-	6½ J x 16	245/70R16			16163	<b>R1-1808</b>		65	120	5	52	30	<b>95,50</b>
<b>Caddy Pickup</b>	1.6i/1.9SDI	H498	9U	09.96-11.03	5½ J x 13	165/80R13			13046	<b>R1-923</b>		57	100	4	38	54	<b>80,60</b>
<b>Caddy/Kombi</b>	1.4/1.6/1.9TDI/2.0SDI/2.0Ecofuel/4-motion	L320, fino a e1*2007/46*0217*19	2KN	12.03-04.15	6 J x 15	195/65R15			15237	<b>R1-1796</b>		57	112	5	47	40	<b>73,70</b>
<b>Caddy/Maxi/Kombi</b>	1.4/1.6/1.9TDI/2.0SDI/2.0TDI/2.0Ecofuel/4-motion	L320, fino a e1*2007/46*0217*19	2KN	01.08-04.15	6 J x 16	205/55R16			16127	<b>R1-1731</b>		57	112	5	50	30	<b>89,40</b>
<b>Caddy/Maxi</b>	1.2TSI/1.4TSI/1.4TGI/2.0TDI	a partire da e1*2007/46*0017*20	2KN	05.15-	6 J x 15	195/65R15			15237	<b>R1-1796</b>		57	112	5	47	40	<b>73,70</b>
<b>Caddy/Maxi</b>	1.2TSI/1.4TSI/1.4TGI/2.0TDI/4-motion	a partire da e1*2007/46*0017*20	2KN	05.15-	6 J x 16	205/55R16			16127	<b>R1-1731</b>		57	112	5	50	30	<b>89,40</b>
<b>Crafter 30</b>	2.0TDI/2.5TDI Max 3.0 Ton peso complessivo	e1*2001/116*0355*, e1*2007/46*0514*, -/515*, -/521*, L767, L769, L770	2EC1/2FJE1/2EKE1/2EKE2	05.06-	6½ J x 16	205/75R16	225/75R16	235/65R16	16095	<b>R1-1647</b>		84	130	6	62	30	<b>119,90</b>
<b>Crafter 30</b>	2.0TDI/2.5TDI Max 3.0 Ton peso complessivo	L767, L768, e1*2001/116*0355*, e1*2007/46*0513*, e1*2007/46*0521*	2EC1, 2EKE1, 2EKE2, 2FJE1, 2FJE2	06.06-	5½ J x 16	205/75R16			16168	<b>R1-1673</b>		84	130	6	51	30	<b>119,90</b>
<b>Crafter 30/35</b>	2.5TDI Max 3.5 Ton peso complessivo	e1*2001/116*0355*, -/356*, e1*2007/46*0514*, -/515*, -/521*, -/522*, -/523*, L767, L768, L769, L770	2EC1/2EC2/2EKE1/2EKE2/2FJE1/2FJE2	05.06-	6½ J x 16	225/75R16	235/65R16		16095	<b>R1-1647</b>		84	130	6	62	30	<b>119,90</b>
<b>Crafter 50</b>	2.5TDI - Zwillingsbereifung Max 5.0 Ton peso complessivo	L767, L768	2FJE1/2FJE2	05.06-	5½ J x 16	195/75R16	205/75R16		16180	<b>R1-1859</b>		161	205	6	HMA 117	30	<b>155,30</b>
<b>LT28/35</b>	2.3i/2.5SDI/2.5TDI/2.8TDI	H428, H482, H617, H724, e1*95/54*0041*, e1*98/14*0041*, e1*98/14D0041*, e1*2001/116*0041*	2DM/2DXOAE/2DXOFE/2DXOAZ/2DXOFZ	01.00-04.06	6 J x 15	195/70R15	225/70R15		15119	<b>R1-1404</b>		84	130	5	75	88	<b>110,60</b>
<b>LT35/40/46</b>	2.3i/2.5TDI/2.8TDI	H617, H724	20DXOAZ/2DXOFZ	08.96-04.06	5½ J x 15	195/70R15			15170	<b>R1-1282</b>		161	205	6	108	40	<b>138,10</b>
<b>T4</b>	1.9TD/2.0i/2.4D/2.5i/2.5TD/Syncro 2.4D/2.5i	H300, H304, H322, H323, H324, H325, H326, H327	70X02BL/70X12BL/70X12BN/70X02D/70X02A/70X12A/70X12D	01.96-04.03	6 J x 15	195/70R15	205/65R15	215/65R15	15089	<b>R1-1224</b>		57	112	5	55	40	<b>107,80</b>
<b>T5 Transporter</b>	1.9TDI/2.0i/2.0TDI/2.5TDI/4-motion	L148, L225, fino a e1*2007/46*0130*15	7HK/7HKX0/7JO	05.03-07.15	6½ J x 16	205/65R16	215/65R16		16055	<b>R1-1529</b>		65,1	120	5	51	30	<b>113,30</b>
<b>T5 Transporter</b>	1.9TDI/2.0i/2.0TDI/2.5TDI/3.2i-V6/4-motion	L148, L225, fino a e1*2007/46*0130*15	7HC/7HKX0/7JO	05.03-07.15	7 J x 17	215/60R17	235/55R17		17002	<b>R1-1614</b>		65,1	120	5	55	25	<b>145,20</b>
<b>T5 BlueMotion</b>	2.0TDI		7HC/7HMA/7JO	03.11-	6½ J x 16	215/65R16				<b>R1-1809</b>		65	120	5	51	30	<b>92,00</b>
<b>T6 Transporter</b>	2.0TDI/4-motion	a partire da e1*2007/46*0130*16	7JO	08.15-	6½ J x 16	215/65R16			16055	<b>R1-1529</b>		65,1	120	5	51	30	<b>113,30</b>
<b>T6 Transporter</b>	2.0TDI/4-motion	a partire da e1*2007/46*0130*16	7JO	08.15-	7 J x 17	215/60R17	235/55R17		17002	<b>R1-1614</b>		65,1	120	5	55	25	<b>145,20</b>



R1-1337



R1-1339



R1-1577



R1-1604



R1-1642

Modello	Motorizzazioni	Omologazione del veicolo	Codice progetto	Anno di produzione	Misura ruota	Misura pneumatico			Disegno MWD	Disegno MW Aftermarket	Osservazioni	Dati tecnici				Pezzi per paletta	Prezzo EUR senza IVA
												Foro centrale	Interasse fori	Fori attacco	Offset		
C30	1.6i/1.6D/1.8i/1.8F/2.0i	e4*2001/116*0076*, e1*2001/116*0427*	M/M-2D	10.06-12.12	6 J x 15	195/65R15			15191	R1-1604		63,3	108	5	46	40	98,40
C30	1.6i/1.6D/1.8i/1.8F/2.0i/2.0D/2.4i/2.4D5/2.5T5	e4*2001/116*0076*, e1*2001/116*0427*	M/M-2D	10.06-12.12	6½ J x 16	195/60R16	205/55R16		16070	R1-1577		63,3	108	5	52,5	30	103,20
C70 Cabrio/Coupé	2.0T/2.4T/2.3i-T5	e9*96/27*0015*, e9*98/14*0015*, e9*2001/116*0015*	N	01.98-02.06	6½ J x 16	205/55R16			16019	R1-1337		65	108	5	43	30	118,00
S40/V50	1.6D/1.6/1.8/1.8F/2.0	e4*2001/116*0076*	M	01.04-	6 J x 15	195/65R15			15191	R1-1604		63,3	108	5	46	40	98,40
S40/V50	1.6/1.6D/1.8/1.8F/2.0/2.0D/2.4/2.4i/2.4D5/2.5T5/2.5T5-AWD	e4*2001/116*0076*	M	01.04-12.08	6½ J x 16	195/60R16	205/55R16		16070	R1-1577		63,3	108	5	52,5	30	103,20
S60	2.0T/2.3i-T5/2.4D/2.4D-D5/2.4/2.5T/2.5T-AWD	e9*98/14*0036*, -/44*, e9*2001/116*0036*, -/44*	R/H	11.00-06.10	6½ J x 16	205/55R16	215/55R16		16019	R1-1337		65	108	5	43	30	118,00
S60/V60	1.6T3/1.6T4/2.0T/2.0T5/3.0T6/2.0D3/2.4D5/2.4D5-AWD	e9*2007/46*0023*	F	07.10-	7 J x 16	205/60R16	215/55R16		16088	R1-1642		63,3	108	5	50	40	111,90
S70/V70	2.0i/2.5i/2.5i-20V/2.5T/2.5T-AWD/2.5D/2.3i-T5/Country	e9*93/81*0002*, e9*93/81P0002*	L	01.97-02.00	6½ J x 16	205/50R16	205/55R16		16019	R1-1337		65	108	5	43	30	118,00
S70/V70	2.4 Bi-Fuel	e9*97/27*0029*	G	05.98-02.00	6½ J x 16	205/50R16			16019	R1-1337		65	108	5	43	30	118,00
S80	2.0T/2.4i/2.4T/2.4D/2.4D-D5/2.4Bi-Fuel/2.8i-T6/3.0i-V6/3.0i-T6	e9*96/79*0028*, e9*98/14*0028*, -/43*, e9*98/14P0028*, e9*2001/116*0028*, -/43*, e9*2001/116P*0028*, e1*K5*0007*	T/K/KV	10.98-04.06	7 J x 16	215/55R16	225/55R16		16020	R1-1339		65	108	5	49	30	116,40
S80	1.6D/2.0D/2.0FT/2.4D/2.4D5/2.4D5-AWD/2.5T/3.0T6/3.2/3.2-AWD	e9*2001/116*0057*	A	05.06-	7 J x 16	205/60R16	215/55R16	225/55R16	16088	R1-1642		63,3	108	5	50	40	111,90
S90/V90	2.0i/2.3iT/2.5i/3.0i/3.0i-24V	e4*95/54*0006*	9	01.97-02.02	6½ J x 16	205/55R16			16019	R1-1337		65	108	5	43	30	118,00
V40	1.6D-D2	e1*2001/116*0076*	M	07.12-	6 J x 15	195/65R15			15191	R1-1604		63,3	108	5	46	40	98,40
V40	1.6D-D2/2.0D-D3/D4/1.6-T3/T4/2.5-T5	e1*2001/116*0076*	M	07.12-	6½ J x 16	205/55R16			16070	R1-1577		63,3	108	5	52,5	30	103,20
V40 Cross Country	1.6D-D2/2.0D-D3/D4/1.6-T4/2.5-T5/AWD	a partire da e1*2001/116*0076*29	M	10.12-	6½ J x 16	205/60R16			16070	R1-1577		63,3	108	5	52,5	30	103,20
V70	2.4 Bi-Fuel	e4*98/14*0061*, e4*2001/116*0061*	J	08.01-04.07	6½ J x 16	205/55R16	215/55R16		16019	R1-1337		65	108	5	43	30	118,00
V70/V70-XC	2.0T/2.3i-T5/2.4i/2.4T/2.4T-AWD/2.4D/2.4D-D5/2.4 Bifuel/Cross Country 2.4T-AWD	e4*98/14*0040*, e4*2001/116*0040*	S	03.00-04.07	6½ J x 16	205/55R16	215/65R16		16019	R1-1337		65	108	5	43	30	118,00
V70	1.6D/2.0/2.0D/2.0F/2.4D/2.4D5/2.5FT/2.5T/3.2/3.0T6-AWD	e9*2001/116*0065*, e1*2001/116*0505*	B/B-2D	05.07-	7 J x 16	205/60R16	225/55R16		16088	R1-1642		63,3	108	5	50	40	111,90
XC70	2.4D/3.0AWD/3.2AWD	e9*2001/116*0065* e1*2001/116*0505*	B/B-2D	05.07-	7 J x 16	215/65R16			16088	R1-1642		63,3	108	5	50	40	111,90



## ELENCO PER CODICE PRODOTTO

MW Aftermarket	Produttore	Modello	Misura ruota	Pezzi per palette	Peso kg.	prezzo EUR senza IVA
R1-1004	Fiat	Cinquecento	4,50 B x 13	63	5,0	53,90
R1-1011	Lada	Samara	5,00 B x 13	54	5,7	75,80
R1-1012	BMW	Serie 3 Compact	6½ J x 15	40	8,0	97,30
R1-1012	BMW	Serie 3	6½ J x 15	40	8,0	97,30
R1-1012	BMW	Serie 3 Touring	6½ J x 15	40	8,0	97,30
R1-1012	BMW	Serie 3 Coupé/Cabrio	6½ J x 15	40	8,0	97,30
R1-1012	BMW	Z3 Roadster/Coupe	6½ J x 15	40	8,0	97,30
R1-1014	Audi	100/200	6 J x 15	40	8,9	73,40
R1-1014	Audi	A4/Avant	6 J x 15	40	8,9	73,40
R1-1014	Audi	A6/Avant	6 J x 15	40	8,9	73,40
R1-1014	Audi	A6/Avant	6 J x 15	40	8,9	73,40
R1-1014	Volkswagen	Passat/Variant	6 J x 15	40	8,9	73,40
R1-1014	Volkswagen	Passat/Variant	6 J x 15	40	8,9	73,40
R1-1021	Ford	Mondeo/ST200	6 J x 15	88	9,5	94,30
R1-1021	Ford	Scorpio	6 J x 15	88	9,5	94,30
R1-1025	Piaggio	Porter	4,00 B x 12		5,7	64,10
R1-1060	Mercedes	C-Klasse	6½ J x 15	40	7,7	79,70
R1-1060	Mercedes	C-Klasse/Sportcoupé	6½ J x 15	40	7,7	79,70
R1-1060	Mercedes	CLK	6½ J x 15	40	7,7	79,70
R1-1060	Mercedes	CLK	6½ J x 15	40	7,7	79,70
R1-1060	Mercedes	E-Klasse	6½ J x 15	40	7,7	79,70
R1-1076	Ford	Fiesta IV/Courier Family	5,00 B x 13	54	5,9	55,30
R1-1076	Ford	Puma	5,00 B x 13	54	5,9	55,30
R1-1076	Ford Nfz	Fiesta Courier	5 J x 13	54	5,9	55,30
R1-1076	Mazda	121	5 J x 13	54	5,9	55,30
R1-1077	Opel	Astra-G	5½ J x 14	40	7,4	76,40
R1-1077	Opel	Vectra-B	5½ J x 14	40	7,4	76,40
R1-1077	Opel Nfz.	Astra-Van	5½ J x 14	40	7,4	76,40
R1-1087	Citroën	C5 Limousine	6 J x 15	40	8,9	84,30
R1-1087	Citroën	C5 Break	6 J x 15	40	8,9	84,30
R1-1087	Citroën	Xsara/Xsara Break	6 J x 15	40	8,9	84,30

MW Aftermarket	Produttore	Modello	Misura ruota	Pezzi per palette	Peso kg.	prezzo EUR senza IVA
R1-1087	Peugeot	306	6 J x 15	40	8,9	84,30
R1-1087	Peugeot	406	6 J x 15	40	8,9	84,30
R1-1118	Fiat	Bravo	6 J x 15	40	6,9	83,10
R1-1118	Fiat	Multipia	6 J x 15	40	6,9	83,10
R1-1121	Fiat	Panda/Classic/4x4	5½ J x 14	54	5,9	58,40
R1-1121	Fiat	Punto	5½ J x 14	54	5,9	58,40
R1-1128	Fiat	Panda/Classic	5,00 B x 13	54	5,2	61,90
R1-1128	Fiat	Punto	5,00 B x 13	54	5,2	61,90
R1-1132	Renault	Clio II/Campus/Storia	5½ J x 14	54	5,9	61,40
R1-1132	Renault	Kangoo	5½ J x 14	54	5,9	61,40
R1-1132	Renault	Megane	5½ J x 14	54	5,9	61,40
R1-1132	Renault	Megane Break	5½ J x 14	54	5,9	61,40
R1-1132	Renault	Megane Scenic	5½ J x 14	54	5,9	61,40
R1-1132	Renault	Twingo I	5½ J x 14	54	5,9	61,40
R1-1134	Fiat Nfz	Doblò Cargo	5½ J x 14	54	6,6	62,10
R1-1148	Honda	Civic	5½ J x 14	48	7,2	81,40
R1-1150	Citroën	C2	5½ J x 14	54	5,6	65,00
R1-1150	Citroën	C3	5½ J x 14	54	5,6	65,00
R1-1150	Peugeot	1007	5½ J x 14	54	5,6	65,00
R1-1150	Peugeot	206 Plus	5½ J x 14	54	5,6	65,00
R1-1156	Audi	A4/Avant	6½ J x 15	40	8,6	77,80
R1-1156	Audi	A4/Avant (Facelift)	6½ J x 15	40	8,6	77,80
R1-1159	Fiat	Stilo/Stilo Multi Wagon	6½ J x 15	40	7,2	67,20
R1-1163	Hyundai	Accent	5 J x 13	54	6,8	71,10
R1-1163	Hyundai	Atos/Prime	5 J x 13	54	6,8	71,10
R1-1163	Hyundai	Atos/Santro Xing	5 J x 13	54	6,8	71,10
R1-1163	Hyundai	Getz	5 J x 13	54	6,8	71,10
R1-1165	Chevrolet/Daewoo	Leganza	6 J x 15	30	10,3	104,20
R1-1168	Smart	Fortwo	3½ J x 15	64	6,0	67,00
R1-1172	Nissan Nfz.	Interstar	6 J x 16	30	11,9	101,60
R1-1172	Opel Nfz.	Movano	6 J x 16	30	11,9	101,60

MW Aftermarket	Produttore	Modello	Misura ruota	Pezzi per palette	Peso kg.	prezzo EUR senza IVA
R1-1172	Renault Nfz.	Master/Master Kombi	6 J x 16	30	11,9	101,60
R1-1172	Renault Nfz.	Master	6 J x 16	30	11,9	101,60
R1-1173	Opel	Omega-B	6½ J x 15	40	8,9	91,00
R1-1177	Honda	HR-V	5½ J x 15	36	7,6	108,00
R1-1181	Kia	Carnival	6 J x 15	40	11,6	103,10
R1-1183	Hyundai	Sonata	6 J x 15	40	9,6	89,60
R1-1183	Mitsubishi	Galant	6 J x 15	40	9,6	89,60
R1-1183	Mitsubishi	Galant	6 J x 15	40	9,6	89,60
R1-1183	Mitsubishi	Lancer	6 J x 15	40	9,6	89,60
R1-1187	Renault	Laguna II/Grandtour	6½ J x 16	40	8,4	91,80
R1-1195	Mazda	323F	6 J x 15	40	10,1	92,90
R1-1195	Mazda	626	6 J x 15	40	10,1	92,90
R1-1195	Mazda	MPV	6 J x 15	40	10,1	92,90
R1-1195	Mazda	Premacy	6 J x 15	40	10,1	92,90
R1-1198	Mercedes	C-Klasse	7 J x 16	30	8,1	94,80
R1-1198	Mercedes	C-Klasse/Sportcoupé	7 J x 16	30	8,1	94,80
R1-1198	Mercedes	CLC Sportcoupé (Facelift)	7 J x 16	30	8,1	94,80
R1-1198	Mercedes	CLK	7 J x 16	30	8,1	94,80
R1-1198	Mercedes	CLK	7 J x 16	30	8,1	94,80
R1-1199	Opel	Corsa-C	5 J x 13	63	5,0	58,60
R1-1199	Opel Nfz.	Corsa-C Van	5 J x 13	63	5,0	58,60
R1-1200	Seat	Ibiza/Cordoba	6 J x 14	48	8,2	70,00
R1-1200	Skoda	Fabia	6 J x 14	48	8,2	70,00
R1-1200	Skoda Nfz.	Fabia Praktika	6 J x 14	48	8,2	70,00
R1-1200	Volkswagen	Fox	6 J x 14	48	8,2	70,00
R1-1200	Volkswagen	Polo IV	6 J x 14	48	8,2	70,00
R1-1205	BMW	Serie 5	6½ J x 15	40	9,0	97,70
R1-1213	Renault	Clio II	5,50 B x 13	54	5,7	61,60
R1-1213	Renault	Megane	5,50 B x 13	54	5,7	61,60
R1-1213	Renault	Thalia/Symbol	5,50 B x 13	54	5,7	61,60
R1-1214	BMW	Serie 5	7 J x 15	64	9,2	105,30

## ELENCO PER CODICE PRODOTTO

MW Aftermarket	Produttore	Modello	Misura ruota	Pezzi per paletta	Peso kg.	prezzo EUR senza IVA
R1-1214	BMW	Serie 5 Touring	7 Jx15	64	9,2	<b>105,30</b>
R1-1218	Ford	Fiesta IV	5½ Jx14	54	7,7	<b>81,40</b>
R1-1218	Ford	Puma	5½ Jx14	54	7,7	<b>81,40</b>
R1-1218	Mazda	121	5½ Jx14	54	7,7	<b>81,40</b>
R1-1224	Volkswagen	T4 Caravelle/California	6 Jx15	40	11,5	<b>107,80</b>
R1-1224	Volkswagen Nfz.	T4	6 Jx15	40	11,5	<b>107,80</b>
R1-1228	Saab	900	6 Jx15	40	8,3	<b>89,80</b>
R1-1228	Saab	9-3	6 Jx15	40	8,3	<b>89,80</b>
R1-1228	Saab	9-5	6 Jx15	40	8,3	<b>89,80</b>
R1-1228	Saab	9-5	6 Jx15	40	8,3	<b>89,80</b>
R1-1229	Audi	A3	6 Jx15	40	9,0	<b>70,80</b>
R1-1229	Seat	Toledo II/Leon	6 Jx15	40	9,0	<b>70,80</b>
R1-1229	Skoda	Octavia/Tour	6 Jx15	40	9,0	<b>70,80</b>
R1-1229	Volkswagen	Bora/Variant	6 Jx15	40	9,0	<b>70,80</b>
R1-1229	Volkswagen	Golf IV/Variant	6 Jx15	40	9,0	<b>70,80</b>
R1-1229	Volkswagen	New Beetle/Cabrio	6 Jx15	40	9,0	<b>70,80</b>
R1-1229	Volkswagen	Polo IV Fun/Cross	6 Jx15	40	9,0	<b>70,80</b>
R1-1230	Mercedes	V-Klasse	5½ Jx15	40	10,1	<b>108,20</b>
R1-1230	Mercedes Nfz	Vito-Vito-L	5½ Jx15	40	10,1	<b>108,20</b>
R1-1234	Fiat	Punto/Cabrio/Van	5,00 Bx14	54	6,6	<b>67,20</b>
R1-1237	Alfa Romeo	156/156 Sport Wagon	6 Jx15	40	7,3	<b>80,50</b>
R1-1238	Alfa Romeo	147	6½ Jx15	40	7,9	<b>81,10</b>
R1-1238	Alfa Romeo	147GT	6½ Jx15	40	7,9	<b>81,10</b>
R1-1238	Alfa Romeo	156/156 Sport Wagon	6½ Jx15	40	7,9	<b>81,10</b>
R1-1251	Iveco Nfz	Iveco Daily S2000	6 Jx15	40	12,5	<b>90,00</b>
R1-1266	Renault	Clio II	6 Jx14	40	6,7	<b>90,00</b>
R1-1266	Renault	Thalia/Symbol	6 Jx14	40	6,7	<b>90,00</b>
R1-1270	Nissan	Almera	6 Jx15	40	8,8	<b>101,10</b>
R1-1270	Nissan	Primera	6 Jx15	40	8,8	<b>101,10</b>
R1-1273	Seat	Toledo II/Leon	6 Jx14	45	8,0	<b>76,90</b>
R1-1273	Skoda	Octavia/Tour	6 Jx14	45	8,0	<b>76,90</b>
R1-1273	Volkswagen	Golf IV	6 Jx14	45	8,0	<b>76,90</b>

MW Aftermarket	Produttore	Modello	Misura ruota	Pezzi per paletta	Peso kg.	prezzo EUR senza IVA
R1-1319	BMW	Serie 3 Compact	6½ Jx15	40	8,8	<b>91,50</b>
R1-1319	BMW	Serie 3 Lim/Touring	6½ Jx15	40	8,8	<b>91,50</b>
R1-1319	BMW	Serie 3 Coupé/Cabrio	6½ Jx15	40	8,8	<b>91,50</b>
R1-1320	Peugeot	206/SW	5½ Jx14	54	6,2	<b>66,00</b>
R1-1320	Peugeot	206 Plus	5½ Jx14	54	6,2	<b>66,00</b>
R1-1330	Ford	Focus	5½ Jx14	54	8,1	<b>63,00</b>
R1-1332	Opel	Astra-G	5½ Jx14	54	7,3	<b>66,80</b>
R1-1334	Peugeot	406	6 Jx15	40	7,7	<b>84,40</b>
R1-1337	Volvo	C70 Cabrio/Coupé	6½ Jx16	30	8,7	<b>118,00</b>
R1-1337	Volvo	S60	6½ Jx16	30	8,7	<b>118,00</b>
R1-1337	Volvo	S70/V70	6½ Jx16	30	8,7	<b>118,00</b>
R1-1337	Volvo	S70/V70	6½ Jx16	30	8,7	<b>118,00</b>
R1-1337	Volvo	S90/V90	6½ Jx16	30	8,7	<b>118,00</b>
R1-1337	Volvo	V70	6½ Jx16	30	8,7	<b>118,00</b>
R1-1337	Volvo	V70/V70-XC	6½ Jx16	30	8,7	<b>118,00</b>
R1-1338	Ford	Fiesta V/ST150	6 Jx15	40	8,9	<b>74,20</b>
R1-1338	Ford	Focus	6 Jx15	40	8,9	<b>74,20</b>
R1-1338	Ford	Fusion	6 Jx15	40	8,9	<b>74,20</b>
R1-1338	Ford Nfz	Fiesta Van	6 Jx15	40	8,9	<b>74,20</b>
R1-1339	Volvo	S80	7 Jx16	30	9,1	<b>116,40</b>
R1-1341	Chevrolet/Daewoo	Matiz	4½ Jx13	54	6,2	<b>59,80</b>
R1-1341	Chevrolet/Daewoo	Matiz	4½ Jx13	54	6,2	<b>59,80</b>
R1-1342	Chevrolet/Daewoo	Lanos	5 Jx13		6,2	<b>57,90</b>
R1-1342	Chevrolet/Daewoo	Nexia	5 Jx13		6,2	<b>57,90</b>
R1-1344	Toyota	Yaris/Yaris Verso	5½ Jx14	48	6,9	<b>79,60</b>
R1-1345	Audi	A3	6½ Jx16	36	9,4	<b>114,90</b>
R1-1345	Seat	Ibiza/Cordoba	6½ Jx16	30	9,4	<b>114,90</b>
R1-1345	Seat	Toledo II/Leon	6½ Jx16	30	9,4	<b>114,90</b>
R1-1345	Skoda	Fabia/RS	6½ Jx16	30	9,4	<b>114,90</b>
R1-1345	Skoda	Octavia/Tour/RS	6½ Jx16	30	9,4	<b>114,90</b>
R1-1345	Volkswagen	Bora/Variant	6½ Jx16	36	9,4	<b>114,90</b>
R1-1345	Volkswagen	Golf IV/Variant	6½ Jx16	36	9,4	<b>114,90</b>

MW Aftermarket	Produttore	Modello	Misura ruota	Pezzi per paletta	Peso kg.	prezzo EUR senza IVA
R1-1372	Citroën	C4/C4-Coupé	6 Jx15	40	7,0	<b>75,00</b>
R1-1372	Peugeot	1007	6 Jx15	40	7,0	<b>75,00</b>
R1-1372	Peugeot	206/SW	6 Jx15	40	7,0	<b>75,00</b>
R1-1372	Peugeot	206 CC	6 Jx15	40	7,0	<b>75,00</b>
R1-1372	Peugeot	206 Plus	6 Jx15	40	7,0	<b>75,00</b>
R1-1372	Peugeot	307/SW/Break	6 Jx15	40	7,0	<b>75,00</b>
R1-1373	Nissan Nfz.	Primastar	6 Jx16	30	10,7	<b>95,10</b>
R1-1373	Opel	Vivaro Life	6 Jx16	30	10,7	<b>95,10</b>
R1-1373	Opel Nfz.	Vivaro II	6 Jx16	30	10,7	<b>95,10</b>
R1-1373	Renault	Trafic II	6 Jx16	30	10,7	<b>95,10</b>
R1-1373	Renault Nfz.	Trafic II	6 Jx16	30	10,7	<b>95,10</b>
R1-1374	Seat	Arosa	5½ Jx13	54	6,5	<b>61,80</b>
R1-1374	Volkswagen	Lupo	5½ Jx13	54	6,5	<b>61,80</b>
R1-1374	Volkswagen	Polo III	5½ Jx13	54	6,5	<b>61,80</b>
R1-1375	Seat	Arosa	4½ Jx13	63	6,2	<b>56,60</b>
R1-1375	Volkswagen	Lupo	4½ Jx13	63	6,2	<b>56,60</b>
R1-1375	Volkswagen	Polo III	4½ Jx13	63	6,2	<b>56,60</b>
R1-1398	Opel	Astra-F	5½ Jx13	54	7,0	<b>71,50</b>
R1-1399	Seat	Ibiza/Cordoba	5 Jx14	54	7,5	<b>69,50</b>
R1-1399	Seat	Ibiza/ST	5 Jx14	54	7,5	<b>69,50</b>
R1-1399	Seat	Toledo IV	5 Jx14	54	7,5	<b>69,50</b>
R1-1399	Skoda	Fabia	5 Jx14	54	7,5	<b>69,50</b>
R1-1399	Skoda	Fabia II	5 Jx14	54	7,5	<b>69,50</b>
R1-1399	Skoda	Fabia III	5 Jx14	54	7,5	<b>69,50</b>
R1-1399	Skoda	Rapid/Spaceback	5 Jx14	54	7,5	<b>69,50</b>
R1-1399	Skoda	Roomster	5 Jx14	54	7,5	<b>69,50</b>
R1-1399	Skoda Nfz.	Fabia Praktika	5 Jx14	54	7,5	<b>69,50</b>
R1-1399	Skoda Nfz.	Praktik	5 Jx14	54	7,5	<b>69,50</b>
R1-1399	Volkswagen	Fox	5 Jx14	54	7,5	<b>69,50</b>
R1-1399	Volkswagen	Polo IV	5 Jx14	54	7,5	<b>69,50</b>
R1-1399	Volkswagen	Polo V	5 Jx14	54	7,5	<b>69,50</b>
R1-1402	Alfa Romeo	147	6 Jx15	40	7,3	<b>74,60</b>

<b>R1-1275</b>	Mercedes	A-Klasse/A-Klasse-L	5½Jx15	40	8,3	<b>77,60</b>
<b>R1-1278</b>	Citroën	Berlingo I	5½Jx14	54	6,9	<b>79,60</b>
<b>R1-1278</b>	Citroën	Berlingo I	5½Jx14	54	6,9	<b>79,60</b>
<b>R1-1278</b>	Citroën Nfz	Berlingo I	5½Jx14	54	6,9	<b>79,60</b>
<b>R1-1278</b>	Citroën Nfz	Berlingo I	5½Jx14	54	6,9	<b>79,60</b>
<b>R1-1278</b>	Peugeot	Partner I Kombi	5½Jx14	54	6,9	<b>79,60</b>
<b>R1-1278</b>	Peugeot	Partner I Kombi	5½Jx14	54	6,9	<b>79,60</b>
<b>R1-1278</b>	Peugeot Nfz.	Partner I	5½Jx14	54	6,9	<b>79,60</b>
<b>R1-1278</b>	Peugeot Nfz.	Partner I	5½Jx14	54	6,9	<b>79,60</b>
<b>R1-1280</b>	Fiat	Seicento	5,00Bx13	54	5,0	<b>53,80</b>
<b>R1-1282</b>	Mercedes Nfz	Sprinter I	5½Jx15	40	11,2	<b>138,10</b>
<b>R1-1282</b>	Mercedes Nfz	Sprinter I	5½Jx15	40	11,2	<b>138,10</b>
<b>R1-1282</b>	Volkswagen Nfz.	LT35/40/46	5½Jx15	40	11,2	<b>138,10</b>
<b>R1-1287</b>	Citroën	Xsara/Xsara Break	5½Jx14	48	7,2	<b>79,40</b>
<b>R1-1287</b>	Peugeot	306	5½Jx14	48	7,2	<b>79,40</b>
<b>R1-1294</b>	Opel	Astra-G	6Jx15	40	7,5	<b>76,30</b>
<b>R1-1294</b>	Opel	Astra-G Coupé/Cabrio	6Jx15	40	7,5	<b>76,30</b>
<b>R1-1294</b>	Opel	Corsa-C	6Jx15	40	7,5	<b>76,30</b>
<b>R1-1294</b>	Opel	Vectra-B	6Jx15	40	7,5	<b>76,30</b>
<b>R1-1294</b>	Opel Nfz.	Astra-Van	6Jx15	40	7,5	<b>76,30</b>
<b>R1-1300</b>	Citroën	ZX/ZX Break	5,00Bx13	63	6,4	<b>68,70</b>
<b>R1-1300</b>	Peugeot	205	5,00Bx13	63	6,4	<b>68,70</b>
<b>R1-1300</b>	Peugeot	206	5,00Bx13	63	6,4	<b>68,70</b>
<b>R1-1304</b>	Nissan Nfz.	Kubistar	5½Jx14	48	7,8	<b>76,90</b>
<b>R1-1304</b>	Renault Nfz.	Kangoo Rapid/Express/ Campus	5½Jx14	48	7,8	<b>76,90</b>
<b>R1-1309</b>	Honda	Accord	5½Jx14	48	8,0	<b>81,70</b>
<b>R1-1312</b>	Renault	Laguna	6½Jx15	40	7,8	<b>97,90</b>
<b>R1-1312</b>	Renault	Laguna Grandtour	6½Jx15	40	7,8	<b>97,90</b>
<b>R1-1318</b>	Opel	Astra-G	6Jx15	40	9,5	<b>81,80</b>
<b>R1-1318</b>	Opel	Astra-G Coupé/Cabrio	6Jx15	40	9,5	<b>81,80</b>
<b>R1-1318</b>	Opel	Combo Combi/Tour	6Jx15	40	9,5	<b>81,80</b>
<b>R1-1318</b>	Opel	Corsa-C	6Jx15	40	9,5	<b>81,80</b>
<b>R1-1318</b>	Opel	Vectra-B	6Jx15	40	9,5	<b>81,80</b>
<b>R1-1318</b>	Opel Nfz.	Combo-C	6Jx15	40	9,5	<b>81,80</b>
<b>R1-1318</b>	Opel Nfz.	Corsa-C Van	6Jx15	40	9,5	<b>81,80</b>

<b>R1-1345</b>	Volkswagen	New Beetle/Cabrio	6½Jx16	36	9,4	<b>114,90</b>
<b>R1-1345</b>	Volkswagen	Polo IV GTI Cup Edition	6½Jx16	36	9,4	<b>114,90</b>
<b>R1-1347</b>	Iveco Nfz	Iveco Daily S2000	5JKx16	30	12,7	<b>94,00</b>
<b>R1-1348</b>	Iveco Nfz	Iveco Daily S2000	5½Jx16	30	13,0	<b>125,00</b>
<b>R1-1350</b>	Renault	Clio II/Campus/Storia	6Jx15	40	7,1	<b>87,80</b>
<b>R1-1350</b>	Renault	Megane	6Jx15	40	7,1	<b>87,80</b>
<b>R1-1350</b>	Renault	Megane Break	6Jx15	40	7,1	<b>87,80</b>
<b>R1-1350</b>	Renault	Megane Scenic	6Jx15	40	7,1	<b>87,80</b>
<b>R1-1350</b>	Renault	Thalia/Symbol	6Jx15	40	7,1	<b>87,80</b>
<b>R1-1354</b>	Kia	Sephia II	5½JJx14	48	8,4	<b>92,10</b>
<b>R1-1354</b>	Kia	Shuma I	5½JJx14	48	8,4	<b>92,10</b>
<b>R1-1354</b>	Kia	Shuma II	5½JJx14	48	8,4	<b>92,10</b>
<b>R1-1355</b>	Kia	Carens	5½JJx14	36	8,9	<b>92,90</b>
<b>R1-1357</b>	Opel	Meriva-A/OPC	6Jx15	40	8,9	<b>81,00</b>
<b>R1-1357</b>	Opel	Zafira-A	6Jx15	40	8,9	<b>81,00</b>
<b>R1-1361</b>	Audi	A6/Avant	6Jx16	30	9,0	<b>100,30</b>
<b>R1-1361</b>	Skoda	Superb	6Jx16	40	9,0	<b>100,30</b>
<b>R1-1361</b>	Volkswagen	Passat/Variant	6Jx16	40	9,0	<b>100,30</b>
<b>R1-1364</b>	Chevrolet/Daewoo	Espero	5½Jx14	48	7,5	<b>79,30</b>
<b>R1-1364</b>	Chevrolet/Daewoo	Lanos	5½Jx14	48	7,5	<b>79,30</b>
<b>R1-1364</b>	Chevrolet/Daewoo	Nexia	5½Jx14	48	7,5	<b>79,30</b>
<b>R1-1364</b>	Chevrolet/Daewoo	Nubira	5½Jx14	48	7,5	<b>79,30</b>
<b>R1-1364</b>	Opel	Astra-F	5½Jx14	48	7,5	<b>79,30</b>
<b>R1-1364</b>	Opel	Kadett	5½Jx14	48	7,5	<b>79,30</b>
<b>R1-1364</b>	Opel	Vectra-A	5½Jx14	48	7,5	<b>79,30</b>
<b>R1-1366</b>	Audi	A2	5Jx15	48	7,2	<b>85,30</b>
<b>R1-1369</b>	Citroën	Berlingo I	6Jx15	40	8,6	<b>82,10</b>
<b>R1-1369</b>	Citroën	Berlingo I	6Jx15	40	8,6	<b>82,10</b>
<b>R1-1369</b>	Citroën	Xsara Picasso	6Jx15	40	8,6	<b>82,10</b>
<b>R1-1369</b>	Peugeot	Partner I Kombi	6Jx15	40	8,6	<b>82,10</b>
<b>R1-1369</b>	Peugeot	Partner I Kombi	6Jx15	40	8,6	<b>82,10</b>
<b>R1-1370</b>	Mercedes	A-Klasse/A-Klasse-L	5Jx15	40	8,1	<b>80,50</b>
<b>R1-1372</b>	Citroën	C2	6Jx15	40	7,0	<b>75,00</b>
<b>R1-1372</b>	Citroën	C3/C3 X-TR	6Jx15	40	7,0	<b>75,00</b>
<b>R1-1372</b>	Citroën	C3 Pluriel	6Jx15	40	7,0	<b>75,00</b>

<b>R1-1404</b>	Mercedes Nfz	Sprinter I	6Jx15	40	13,4	<b>110,60</b>
<b>R1-1404</b>	Volkswagen Nfz.	LT28/35	6Jx15	88	13,4	<b>110,60</b>
<b>R1-1405</b>	Smart	Fortwo	5½Jx15	48	6,8	<b>68,90</b>
<b>R1-1406</b>	Smart	Fortwo	4Jx15	64	6,7	<b>65,60</b>
<b>R1-1408</b>	Ford	Galaxy	6Jx16	40	12,0	<b>111,10</b>
<b>R1-1408</b>	Seat	Alhambra	6Jx16	40	12,0	<b>111,10</b>
<b>R1-1408</b>	Volkswagen	Sharan	6Jx16	40	12,0	<b>111,10</b>
<b>R1-1408</b>	Volkswagen	T4 Caravelle/California	6Jx16	40	12,0	<b>111,10</b>
<b>R1-1409</b>	BMW	Serie 3 Compact	7Jx17	25	10,2	<b>117,40</b>
<b>R1-1409</b>	BMW	Serie 3 Lim/Touring	7Jx17	25	10,2	<b>117,40</b>
<b>R1-1409</b>	BMW	Serie 3 Lim/Touring/4x4	7Jx17	25	10,2	<b>117,40</b>
<b>R1-1409</b>	BMW	Serie 3 Coupé/Cabrio	7Jx17	25	10,2	<b>117,40</b>
<b>R1-1410</b>	Ford	Galaxy	6Jx15	30	9,3	<b>96,00</b>
<b>R1-1410</b>	Seat	Alhambra	6Jx15	40	9,3	<b>96,00</b>
<b>R1-1410</b>	Volkswagen	Sharan	6Jx15	40	9,3	<b>96,00</b>
<b>R1-1414</b>	Skoda	Superb	7Jx16	30	10,5	<b>112,00</b>
<b>R1-1414</b>	Volkswagen	Passat/Variant	7Jx16	30	10,5	<b>112,00</b>
<b>R1-1417</b>	Mini	Mini One/Cooper/Cabrio	5½Jx15	48	6,8	<b>96,30</b>
<b>R1-1417</b>	Mini	Mini One/Cooper/Cabrio	5½Jx15	48	6,8	<b>96,30</b>
<b>R1-1417</b>	Mini	Mini Clubman	5½Jx15	48	6,8	<b>96,30</b>
<b>R1-1421</b>	Ford	Transit Tourneo/Euroline/ Nugget	5½Jx15	32	10,3	<b>127,10</b>
<b>R1-1421</b>	Ford	Transit Tourneo	5½Jx15	32	10,3	<b>127,10</b>
<b>R1-1421</b>	Ford Nfz	Transit	5½Jx15	32	10,3	<b>127,10</b>
<b>R1-1421</b>	Ford Nfz	Transit	5½Jx15	32	10,3	<b>127,10</b>
<b>R1-1429</b>	Renault	Espace/Grand Espace	7Jx17	25	10,2	<b>127,10</b>
<b>R1-1429</b>	Renault	Vel Satis	7Jx17	25	10,2	<b>127,10</b>
<b>R1-1432</b>	Renault	Espace/Grand Espace	6½Jx16	30	9,2	<b>102,80</b>
<b>R1-1433</b>	Renault	Kangoo 4x4	5½Jx15	40	8,5	<b>83,70</b>
<b>R1-1434</b>	Nissan	Primera/Primera Traveller	6½JJx16	30	10,0	<b>103,10</b>
<b>R1-1435</b>	Nissan	Micra/Micra CC	5½Jx15	40	6,4	<b>84,10</b>
<b>R1-1435</b>	Nissan	Micra	5½Jx15	40	6,4	<b>84,10</b>
<b>R1-1436</b>	Nissan	Micra	5Jx14	54	5,3	<b>81,10</b>
<b>R1-1456</b>	Citroën	C8	6½Jx15	40	8,9	<b>88,30</b>
<b>R1-1456</b>	Fiat	Ulysse	6½Jx15	40	8,9	<b>88,30</b>
<b>R1-1456</b>	Lancia	Phedra	6½Jx15	40	8,9	<b>88,30</b>

## ELENCO PER CODICE PRODOTTO

MW Aftermarket	Produttore	Modello	Misura ruota	Pezzi per palette	Peso kg.	prezzo EUR senza IVA
R1-1456	Peugeot	807	6½ Jx 15	40	8,9	88,30
R1-1463	Opel	Astra-H	6½ Jx 15	40	8,2	74,90
R1-1463	Opel	Astra-H GTC	6½ Jx 15	40	8,2	74,90
R1-1463	Opel	Meriva-B	6½ Jx 15	40	8,2	74,90
R1-1463	Opel	Signum	6½ Jx 15	40	8,2	74,90
R1-1463	Opel	Vectra-C	6½ Jx 15	40	8,2	74,90
R1-1463	Opel	Zafira-B	6½ Jx 15	40	8,2	74,90
R1-1463	Opel Nfz.	Astra-H/Van	6½ Jx 15	40	8,2	74,90
R1-1464	Ford	Fiesta V	5½ Jx 14	54	7,0	62,40
R1-1464	Ford	Fusion	5½ Jx 14	54	7,0	62,40
R1-1464	Ford Nfz	Fiesta Van	5½ Jx 14	54	7,0	62,40
R1-1464	Mazda	Mazda 2	5½ Jx 14	54	7,0	62,40
R1-1468	Renault	Megane II	6½ Jx 16	30	9,9	100,00
R1-1468	Renault	Megane II Scenic/Grand Scenic	6½ Jx 16	30	9,9	100,00
R1-1469	Renault	Megane II	6½ Jx 15	40	8,6	74,50
R1-1469	Renault	Megane II Scenic	6½ Jx 15	40	8,6	74,50
R1-1470	Citroën	C8	7 Jx 16	30	9,7	103,40
R1-1470	Fiat	Ulysse	7 Jx 16	30	9,7	103,40
R1-1470	Lancia	Phedra	7 Jx 16	30	9,7	103,40
R1-1470	Peugeot	807	7 Jx 16	30	9,7	103,40
R1-1471	Fiat	Panda/Classic	5,00 B x 13	54	4,9	56,40
R1-1475	Alfa Romeo	MiTo/Turismo	6 Jx 15	40	7,1	75,60
R1-1475	Fiat	500/500C	6 Jx 15	40	7,1	75,60
R1-1475	Fiat	Idea	6 Jx 15	40	7,1	75,60
R1-1475	Ford	KA II	6 Jx 15	40	7,1	75,60
R1-1475	Lancia	Musa	6 Jx 15	40	7,1	75,60
R1-1475	Lancia	Ypsilon	6 Jx 15	40	7,1	75,60
R1-1476	Peugeot	407/Break	6½ Jx 16	30	8,9	91,50
R1-1478	Opel	Meriva-A	6 Jx 15	40	8,9	84,10
R1-1478	Opel	Tigra Twin Top	6 Jx 15	40	8,9	84,10
R1-1479	Nissan	Almera Tino	6 Jx 15	40	8,5	88,10
R1-1480	Toyota	Avensis Verso	6½ Jx 15	40	9,4	94,80

MW Aftermarket	Produttore	Modello	Misura ruota	Pezzi per palette	Peso kg.	prezzo EUR senza IVA
R1-1491	Seat	Leon II	6½ Jx 16	30	9,6	88,20
R1-1491	Seat	Toledo III	6½ Jx 16	30	9,6	88,20
R1-1491	Skoda	Octavia II	6½ Jx 16	30	9,6	88,20
R1-1491	Volkswagen	Golf V	6½ Jx 16	30	9,6	88,20
R1-1491	Volkswagen	Golf V Variant	6½ Jx 16	30	9,6	88,20
R1-1491	Volkswagen	Golf V Plus/Cross	6½ Jx 16	30	9,6	88,20
R1-1491	Volkswagen	Golf VI Cabrio	6½ Jx 16	30	9,6	88,20
R1-1491	Volkswagen	Golf VI Plus/Cross	6½ Jx 16	30	9,6	88,20
R1-1491	Volkswagen	Golf VI Variant	6½ Jx 16	30	9,6	88,20
R1-1491	Volkswagen	Jetta	6½ Jx 16	30	9,6	88,20
R1-1491	Volkswagen	Jetta	6½ Jx 16	30	9,6	88,20
R1-1491	Volkswagen	Touran	6½ Jx 16	30	9,6	88,20
R1-1492	Audi	A3/Cabrio/Sportback	6 Jx 16	30	9,5	93,40
R1-1492	Seat	Altea/Altea XL Kombi	6 Jx 16	30	9,5	93,40
R1-1492	Seat	Altea Freetrack/4x4	6 Jx 16	30	9,5	93,40
R1-1492	Seat	Leon II	6 Jx 16	30	9,5	93,40
R1-1492	Seat	Toledo III	6 Jx 16	30	9,5	93,40
R1-1492	Skoda	Octavia II/Scout/RS	6 Jx 16	30	9,5	93,40
R1-1492	Skoda	Superb II/Combi	6 Jx 16	30	9,5	93,40
R1-1492	Skoda	Yeti	6 Jx 16	30	9,5	93,40
R1-1492	Volkswagen	Golf V	6 Jx 16	30	9,5	93,40
R1-1492	Volkswagen	Golf V Variant	6 Jx 16	30	9,5	93,40
R1-1492	Volkswagen	Golf V Plus/Cross	6 Jx 16	30	9,5	93,40
R1-1492	Volkswagen	Golf VI Cabrio	6 Jx 16	30	9,5	93,40
R1-1492	Volkswagen	Golf VI Plus/Cross	6 Jx 16	30	9,5	93,40
R1-1492	Volkswagen	Golf VI Variant	6 Jx 16	30	9,5	93,40
R1-1492	Volkswagen	Jetta	6 Jx 16	30	9,5	93,40
R1-1492	Volkswagen	Jetta	6 Jx 16	30	9,5	93,40
R1-1492	Volkswagen	Touran/Cross	6 Jx 16	30	9,5	93,40
R1-1493	Mini	Mini One/Cooper/Cabrio	5½ Jx 16	30	7,7	97,80
R1-1500	Mercedes	E-Klasse	7 Jx 16	30	8,2	99,30
R1-1501	Mercedes	E-Klasse	7½ Jx 16	30	9,7	111,70

MW Aftermarket	Produttore	Modello	Misura ruota	Pezzi per palette	Peso kg.	prezzo EUR senza IVA
R1-1553	Chevrolet/Daewoo	Lacetti	6 Jx 15	88	8,1	103,10
R1-1554	Hyundai	Matrix	5½ Jx 14	48	7,6	83,60
R1-1557	Ford	C-Max	6½ Jx 16	30	9,7	90,90
R1-1557	Ford	Focus II/CC/ST220	6½ Jx 16	30	9,7	90,90
R1-1557	Ford	Mondeo (Facelift) / ST220	6½ Jx 16	30	9,7	90,90
R1-1559	Opel	Astra-H	6½ Jx 15	40	6,7	76,10
R1-1559	Opel	Astra-H GTC	6½ Jx 15	40	6,7	76,10
R1-1559	Opel	Tigra Twin Top	6½ Jx 15	40	6,7	76,10
R1-1560	Opel	Astra-H	6½ Jx 16	30	8,2	89,40
R1-1560	Opel	Astra-H GTC/Twintop	6½ Jx 16	30	8,2	89,40
R1-1560	Opel	Meriva-B	6½ Jx 16	30	8,2	89,40
R1-1560	Opel	Zafira-B	6½ Jx 16	30	8,2	89,40
R1-1560	Opel Nfz.	Astra-H/Van	6½ Jx 16	30	8,2	89,40
R1-1560	Opel Nfz.	Meriva-B Van	6½ Jx 16	30	8,2	89,40
R1-1560	Opel Nfz.	Zafira-B Van	6½ Jx 16	30	8,2	89,40
R1-1561	Opel	Astra-H	6½ Jx 16	30	8,0	90,50
R1-1561	Opel	Astra-H GTC	6½ Jx 16	30	8,0	90,50
R1-1562	BMW	Serie 1	6½ Jx 16	30	8,3	104,60
R1-1562	BMW	Serie 1 Coupé/Cabrio	6½ Jx 16	30	8,3	104,60
R1-1565	Audi	A4/Avant	7 Jx 16	30	9,4	101,00
R1-1565	Audi	A4/Avant (Facelift)	7 Jx 16	30	9,4	101,00
R1-1565	Audi	A6/Avant	7 Jx 16	30	9,4	101,00
R1-1565	Audi	A6/Avant	7 Jx 16	30	9,4	101,00
R1-1567	Mercedes	A-Klasse	6 Jx 15	40	6,5	77,30
R1-1567	Mercedes	B-Klasse	6 Jx 15	40	6,5	77,30
R1-1568	BMW	Serie 5	7 Jx 16	30	10,3	108,00
R1-1568	BMW	Serie 5 Touring	7 Jx 16	30	10,3	108,00
R1-1571	Hyundai	i10	5 Jx 14	48	6,8	84,10
R1-1571	Kia	Picanto	5 Jx 14	48	6,8	84,10
R1-1572	Hyundai	i10	4,00 B x 13	63	5,3	76,40
R1-1572	Kia	Picanto	4,00 B x 13	63	5,3	76,40
R1-1572	Kia	Picanto II	4,00 B x 13	63	5,3	76,40



<b>R1-1482</b>	Volkswagen	Touareg	7 Jx 16	30	11,9	<b>165,60</b>
<b>R1-1483</b>	Fiat	Croma	6½ Jx 16	30	9,0	<b>89,30</b>
<b>R1-1483</b>	Opel	Signum	6½ Jx 16	30	9,0	<b>89,30</b>
<b>R1-1483</b>	Opel	Vectra-C	6½ Jx 16	30	9,0	<b>89,30</b>
<b>R1-1483</b>	Opel	Vectra-C Caravan	6½ Jx 16	30	9,0	<b>89,30</b>
<b>R1-1483</b>	Saab	9-3/9-3X	6½ Jx 16	30	9,0	<b>89,30</b>
<b>R1-1483</b>	Saab	9-3 Cabrio	6½ Jx 16	30	9,0	<b>89,30</b>
<b>R1-1489</b>	Seat	Altea/Altea XL Kombi	6 Jx 15	40	8,8	<b>69,30</b>
<b>R1-1489</b>	Seat	Altea Freetrack	6 Jx 15	40	8,8	<b>69,30</b>
<b>R1-1489</b>	Seat	Leon II	6 Jx 15	40	8,8	<b>69,30</b>
<b>R1-1489</b>	Seat	Toledo III	6 Jx 15	40	8,8	<b>69,30</b>
<b>R1-1489</b>	Skoda	Octavia II	6 Jx 15	40	8,8	<b>69,30</b>
<b>R1-1489</b>	Volkswagen	Caddy Life	6 Jx 15	40	8,8	<b>69,30</b>
<b>R1-1489</b>	Volkswagen	Caddy Generation Four/Beach	6 Jx 15	40	8,8	<b>69,30</b>
<b>R1-1489</b>	Volkswagen	Golf V	6 Jx 15	40	8,8	<b>69,30</b>
<b>R1-1489</b>	Volkswagen	Golf V Variant	6 Jx 15	40	8,8	<b>69,30</b>
<b>R1-1489</b>	Volkswagen	Golf V Plus/Cross	6 Jx 15	40	8,8	<b>69,30</b>
<b>R1-1489</b>	Volkswagen	Golf VI Cabrio	6 Jx 15	40	8,8	<b>69,30</b>
<b>R1-1489</b>	Volkswagen	Golf VI Plus/Cross	6 Jx 15	40	8,8	<b>69,30</b>
<b>R1-1489</b>	Volkswagen	Golf VI Variant	6 Jx 15	40	8,8	<b>69,30</b>
<b>R1-1489</b>	Volkswagen	Jetta	6 Jx 15	40	8,8	<b>69,30</b>
<b>R1-1489</b>	Volkswagen	Jetta	6 Jx 15	40	8,8	<b>69,30</b>
<b>R1-1489</b>	Volkswagen	Touran/Cross	6 Jx 15	40	8,8	<b>69,30</b>
<b>R1-1490</b>	BMW	Serie 3 Compact	7 Jx 16	30	8,7	<b>89,90</b>
<b>R1-1490</b>	BMW	Serie 3	7 Jx 16	30	8,7	<b>89,90</b>
<b>R1-1490</b>	BMW	Serie 3 Touring	7 Jx 16	30	8,7	<b>89,90</b>
<b>R1-1490</b>	BMW	Serie 3 Coupé/Cabrio	7 Jx 16	30	8,7	<b>89,90</b>
<b>R1-1490</b>	BMW	Serie 3 Compact	7 Jx 16	30	8,7	<b>89,90</b>
<b>R1-1490</b>	BMW	Serie 3 Lim/Touring	7 Jx 16	30	8,7	<b>89,90</b>
<b>R1-1490</b>	BMW	Serie 3 4x4	7 Jx 16	30	8,7	<b>89,90</b>
<b>R1-1490</b>	BMW	Serie 3 Coupé/Cabrio	7 Jx 16	30	8,7	<b>89,90</b>
<b>R1-1490</b>	BMW	Z3 Roadster/Coupe	7 Jx 16	30	8,7	<b>89,90</b>
<b>R1-1491</b>	Audi	A3/Cabrio/Sportback	6½ Jx 16	30	9,6	<b>88,20</b>
<b>R1-1491</b>	Seat	Altea/Altea XL Kombi	6½ Jx 16	30	9,6	<b>88,20</b>
<b>R1-1491</b>	Seat	Altea Freetrack/4x4	6½ Jx 16	30	9,6	<b>88,20</b>

<b>R1-1502</b>	Toyota	Corolla III (Toyota Europa)	6 Jx 15	40	8,5	<b>90,20</b>
<b>R1-1503</b>	Toyota	Avensis II	6½ Jx 16	30	9,3	<b>107,00</b>
<b>R1-1504</b>	Mazda	323S/323F	5½ Jx 14	48	7,9	<b>84,90</b>
<b>R1-1505</b>	Seat	Ibiza/Cordoba	6 Jx 15	40	7,9	<b>83,80</b>
<b>R1-1505</b>	Volkswagen	Fox	6 Jx 15	40	7,9	<b>83,80</b>
<b>R1-1505</b>	Volkswagen	Polo IV	6 Jx 15	40	7,9	<b>83,80</b>
<b>R1-1507</b>	Mazda	Mazda 6/Sport	6 Jx 15	88	7,8	<b>93,50</b>
<b>R1-1507</b>	Mazda	Mazda 6/Sport	6 Jx 15	88	7,8	<b>93,50</b>
<b>R1-1508</b>	Opel	Corsa-C	5½ Jx 14	54	6,1	<b>64,00</b>
<b>R1-1511</b>	Kia	Rio I	5½ Jx 14	48	7,3	<b>89,00</b>
<b>R1-1512</b>	Chevrolet/Daewoo	Aveo	5 Jx 13	108	6,2	<b>73,20</b>
<b>R1-1512</b>	Chevrolet/Daewoo	Kalos	5 Jx 13	108	6,2	<b>73,20</b>
<b>R1-1513</b>	Chevrolet/Daewoo	Aveo	5½ Jx 14	90	7,5	<b>89,40</b>
<b>R1-1513</b>	Chevrolet/Daewoo	Kalos	5½ Jx 14	90	7,5	<b>89,40</b>
<b>R1-1514</b>	Chevrolet/Daewoo	Epica	6 Jx 15	88	8,4	<b>107,50</b>
<b>R1-1514</b>	Chevrolet/Daewoo	Evanda	6 Jx 15	88	8,4	<b>107,50</b>
<b>R1-1519</b>	Skoda	Fabia/RS	6 Jx 15	40	9,2	<b>81,90</b>
<b>R1-1519</b>	Skoda	Fabia II/Scout	6 Jx 15	40	9,2	<b>81,90</b>
<b>R1-1519</b>	Skoda	Roomster/Scout	6 Jx 15	40	9,2	<b>81,90</b>
<b>R1-1519</b>	Skoda Nfz.	Fabia Praktika	6 Jx 15	40	9,2	<b>81,90</b>
<b>R1-1519</b>	Skoda Nfz.	Praktik	6 Jx 15	40	9,2	<b>81,90</b>
<b>R1-1520</b>	Kia	Carens	6 Jx 15	40	9,2	<b>104,40</b>
<b>R1-1522</b>	Ford	C-Max	6 Jx 15	40	6,8	<b>74,00</b>
<b>R1-1522</b>	Ford	Focus II	6 Jx 15	40	6,8	<b>74,00</b>
<b>R1-1524</b>	Alfa Romeo	166	6½ Jx 16	30	10,8	<b>97,30</b>
<b>R1-1524</b>	Lancia	Thesis	6½ Jx 16	30	10,8	<b>97,30</b>
<b>R1-1529</b>	Volkswagen	T5 Multivan/California/Caravelle	6½ Jx 16	30	11,3	<b>113,30</b>
<b>R1-1529</b>	Volkswagen	T6 Multivan/California/Caravelle	6½ Jx 16	30	11,3	<b>113,30</b>
<b>R1-1529</b>	Volkswagen Nfz.	T5 Transporter	6½ Jx 16	30	11,3	<b>113,30</b>
<b>R1-1529</b>	Volkswagen Nfz.	T6 Transporter	6½ Jx 16	30	11,3	<b>113,30</b>
<b>R1-1548</b>	Hyundai	Accent	5 Jx 14	54	8,1	<b>83,60</b>
<b>R1-1548</b>	Hyundai	Getz	5 Jx 14	54	8,1	<b>83,60</b>
<b>R1-1548</b>	Hyundai	Getz	5 Jx 14	54	8,1	<b>83,60</b>
<b>R1-1552</b>	Ford	Tourneo Connect	6 Jx 15	40	9,2	<b>98,20</b>
<b>R1-1552</b>	Ford Nfz	Transit Connect	6 Jx 15	40	9,2	<b>98,20</b>

<b>R1-1573</b>	Kia	Cerato	6 Jx 15	40	8,7	<b>105,40</b>
<b>R1-1574</b>	Mitsubishi	Colt/CZ3	5½ Jx 14	54	6,2	<b>81,50</b>
<b>R1-1574</b>	Smart	Forfour	5½ Jx 14	54	6,2	<b>81,50</b>
<b>R1-1575</b>	Mitsubishi	Colt/CZ3/CZT	6 Jx 15	40	7,1	<b>95,30</b>
<b>R1-1575</b>	Mitsubishi	Colt CZC	6 Jx 15	40	7,1	<b>95,30</b>
<b>R1-1575</b>	Smart	Forfour	6 Jx 15	40	7,1	<b>95,30</b>
<b>R1-1576</b>	Mercedes	A-Klasse	6 Jx 16	30	7,5	<b>89,30</b>
<b>R1-1576</b>	Mercedes	B-Klasse	6 Jx 16	30	7,5	<b>89,30</b>
<b>R1-1577</b>	Volvo	C30	6½ Jx 16	30	9,8	<b>103,20</b>
<b>R1-1577</b>	Volvo	S40/V50	6½ Jx 16	30	9,8	<b>103,20</b>
<b>R1-1577</b>	Volvo	V40	6½ Jx 16	30	9,8	<b>103,20</b>
<b>R1-1577</b>	Volvo	V40 Cross Country	6½ Jx 16	30	9,8	<b>103,20</b>
<b>R1-1579</b>	Renault	Clio III/Grandtour	5½ Jx 15	48	5,9	<b>81,00</b>
<b>R1-1579</b>	Renault	Modus/Grand Modus	5½ Jx 15	48	5,9	<b>81,00</b>
<b>R1-1580</b>	Renault	Clio III/Grandtour	6 Jx 15	40	6,5	<b>67,50</b>
<b>R1-1580</b>	Renault	Modus/Grand Modus	6 Jx 15	40	6,5	<b>67,50</b>
<b>R1-1581</b>	Hyundai	Sonata	6 Jx 15	40	10,0	<b>90,20</b>
<b>R1-1581</b>	Kia	Magentis	6 Jx 15	40	10,0	<b>90,20</b>
<b>R1-1582</b>	Peugeot	307/SW/Break/CC	6½ Jx 16	30	7,6	<b>84,50</b>
<b>R1-1583</b>	Peugeot	407/Break	7 Jx 17	25	9,4	<b>115,60</b>
<b>R1-1583</b>	Peugeot	407 Coupé	7 Jx 17	25	9,4	<b>115,60</b>
<b>R1-1586</b>	Opel	Agila	4½ Jx 14	48	5,9	<b>60,80</b>
<b>R1-1586</b>	Subaru	Justy/Justy G3X	4½ Jx 14	48	5,9	<b>60,80</b>
<b>R1-1586</b>	Suzuki	Ignis	4½ Jx 14	48	5,9	<b>60,80</b>
<b>R1-1586</b>	Suzuki	Wagon R+	4½ Jx 14	48	5,9	<b>60,80</b>
<b>R1-1586</b>	Suzuki	Wagon R+	4½ Jx 14	48	5,9	<b>60,80</b>
<b>R1-1587</b>	Ford	Transit Tourneo/Euroline/Nugget	5½ Jx 16	30	13,9	<b>115,20</b>
<b>R1-1587</b>	Ford	Transit Tourneo	5½ Jx 16	30	13,9	<b>115,20</b>
<b>R1-1587</b>	Ford	Transit Tourneo	5½ Jx 16	30	13,9	<b>115,20</b>
<b>R1-1587</b>	Ford Nfz	Transit	5½ Jx 16	30	13,9	<b>115,20</b>
<b>R1-1587</b>	Ford Nfz	Transit	5½ Jx 16	30	13,9	<b>115,20</b>
<b>R1-1587</b>	Ford Nfz	Transit	5½ Jx 16	30	13,9	<b>115,20</b>
<b>R1-1587</b>	Ford Nfz	Transit	5½ Jx 16	30	13,9	<b>115,20</b>
<b>R1-1588</b>	Opel	Combo Combi/Tour	5½ Jx 14	48	6,6	<b>78,50</b>
<b>R1-1588</b>	Opel Nfz.	Combo-C	5½ Jx 14	48	6,6	<b>78,50</b>

## ELENCO PER CODICE PRODOTTO

MW Aftermarket	Produttore	Modello	Misura ruota	Pezzi per palette	Peso kg.	prezzo EUR senza IVA
R1-1588	Opel Nfz.	Corsa-C Van	5½ Jx 14	48	6,6	<b>78,50</b>
R1-1589	Citroën	C4/C4-Coupé	6½ Jx 16	30	9,7	<b>87,80</b>
R1-1589	Citroën	C5/C5 Break	6½ Jx 16	30	9,7	<b>87,80</b>
R1-1593	Fiat	Grande Punto/Punto EVO	6 Jx 15	40	6,7	<b>76,30</b>
R1-1594	Alfa Romeo	159/159 Sport Wagon	7 Jx 16	30	8,4	<b>97,70</b>
R1-1594	Alfa Romeo	159/159 Sport Wagon	7 Jx 16	30	8,4	<b>97,70</b>
R1-1595	Suzuki	Swift	5½ Jx 15	48	6,8	<b>82,90</b>
R1-1596	Opel	Agila	5 Jx 14	48	6,2	<b>71,40</b>
R1-1596	Suzuki	Splash	5 Jx 14	48	6,2	<b>71,40</b>
R1-1596	Suzuki	Swift	5 Jx 14	48	6,2	<b>71,40</b>
R1-1597	Volkswagen	EOS	6½ Jx 16	30	9,7	<b>87,70</b>
R1-1597	Volkswagen	Passat/Variant	6½ Jx 16	30	9,7	<b>87,70</b>
R1-1597	Volkswagen	Passat/Variant	6½ Jx 16	30	9,7	<b>87,70</b>
R1-1597	Volkswagen	Scirocco III	6½ Jx 16	30	9,7	<b>87,70</b>
R1-1598	BMW	Serie 3	7 Jx 16	40	8,3	<b>85,60</b>
R1-1598	BMW	Serie 3 Coupé/Cabrio	7 Jx 16	40	8,3	<b>85,60</b>
R1-1598	BMW	Serie 3 Touring	7 Jx 16	40	8,3	<b>85,60</b>
R1-1598	BMW	Serie 3 xDrive	7 Jx 16	40	8,3	<b>85,60</b>
R1-1599	Honda	Jazz	5½ Jx 14	48	6,9	<b>88,40</b>
R1-1601	Citroën	C1	4½ Jx 14	54	7,1	<b>66,70</b>
R1-1601	Peugeot	107	4½ Jx 14	54	7,1	<b>66,70</b>
R1-1601	Toyota	Aygo	4½ Jx 14	54	7,1	<b>66,70</b>
R1-1604	Volvo	C30	6 Jx 15	40	6,8	<b>98,40</b>
R1-1604	Volvo	S40/V50	6 Jx 15	40	6,8	<b>98,40</b>
R1-1604	Volvo	V40	6 Jx 15	40	6,8	<b>98,40</b>
R1-1606	Toyota	Yaris II	5 Jx 14	54	6,0	<b>77,70</b>
R1-1607	Toyota	Yaris II	5½ Jx 15	40	8,2	<b>88,80</b>
R1-1610	Honda	Civic	6½ Jx 16	30	8,8	<b>98,30</b>
R1-1611	Renault	Clio III/Grandtour	6 Jx 15	40	6,8	<b>63,90</b>
R1-1612	Renault	Clio III	6½ Jx 16	30	7,7	<b>86,20</b>
R1-1614	Volkswagen	T5 Multivan/California/Caravelle	7 Jx 17	25	14,0	<b>145,20</b>
R1-1614	Volkswagen	T6 Multivan/California/Caravelle	7 Jx 17	25	14,0	<b>145,20</b>

MW Aftermarket	Produttore	Modello	Misura ruota	Pezzi per palette	Peso kg.	prezzo EUR senza IVA
R1-1638	Lancia	Ypsilon	6 Jx 14	54	8,2	<b>64,90</b>
R1-1639	Citroën	C4 Picasso	6½ Jx 15	40	7,1	<b>77,90</b>
R1-1640	Peugeot	207/SW/CC	6 Jx 16	30	7,2	<b>83,50</b>
R1-1642	Volvo	S60/V60	7 Jx 16	40	10,4	<b>111,90</b>
R1-1642	Volvo	S80	7 Jx 16	40	10,4	<b>111,90</b>
R1-1642	Volvo	V70	7 Jx 16	40	10,4	<b>111,90</b>
R1-1642	Volvo	XC70	7 Jx 16	40	10,4	<b>111,90</b>
R1-1643	Citroën Nfz	Jumpy (Facelift)	6½ Jx 15	40	9,6	<b>86,20</b>
R1-1643	Fiat	Scudo Kombi (Facelift)	6½ Jx 15	40	9,6	<b>86,20</b>
R1-1643	Fiat Nfz	Scudo (Facelift)	6½ Jx 15	40	9,6	<b>86,20</b>
R1-1643	Peugeot	Expert I Kombi	6½ Jx 15	40	9,6	<b>86,20</b>
R1-1643	Peugeot Nfz.	Expert I (Facelift)	6½ Jx 15	40	9,6	<b>86,20</b>
R1-1645	Ford	Galaxy II	6½ Jx 16	25	10,4	<b>92,40</b>
R1-1645	Ford	S-Max	6½ Jx 16	25	10,4	<b>92,40</b>
R1-1645	Land Rover	Freelander II	6½ Jx 16	25	10,4	<b>92,40</b>
R1-1646	Ford Nfz	Transit	5 Jx 16	30	11,0	<b>124,80</b>
R1-1647	Mercedes Nfz	Sprinter II	6½ Jx 16	30	13,7	<b>119,90</b>
R1-1647	Mercedes Nfz	Sprinter II	6½ Jx 16	30	13,7	<b>119,90</b>
R1-1647	Mercedes Nfz	Sprinter II (Facelift)	6½ Jx 16	30	13,7	<b>119,90</b>
R1-1647	Mercedes Nfz	Sprinter II (Facelift)	6½ Jx 16	30	13,7	<b>119,90</b>
R1-1647	Volkswagen Nfz.	Crafter 30	6½ Jx 16	30	13,7	<b>119,90</b>
R1-1647	Volkswagen Nfz.	Crafter 30/35	6½ Jx 16	30	13,7	<b>119,90</b>
R1-1648	Opel	Adam	6 Jx 15	40	8,4	<b>73,40</b>
R1-1648	Opel	Corsa-D	6 Jx 15	40	8,4	<b>73,40</b>
R1-1648	Opel	Corsa-E	6 Jx 15	40	8,4	<b>73,40</b>
R1-1648	Opel Nfz.	Corsa-D Van	6 Jx 15	40	8,4	<b>73,40</b>
R1-1648	Opel Nfz.	Corsa-E Van	6 Jx 15	40	8,4	<b>73,40</b>
R1-1650	Opel	Adam	6 Jx 16	30	8,4	<b>86,70</b>
R1-1650	Opel	Corsa-D	6 Jx 16	30	8,4	<b>86,70</b>
R1-1650	Opel	Corsa-E	6 Jx 16	30	8,4	<b>86,70</b>
R1-1650	Opel Nfz.	Corsa-D Van	6 Jx 16	30	8,4	<b>86,70</b>
R1-1650	Opel Nfz.	Corsa-E Van	6 Jx 16	30	8,4	<b>86,70</b>

MW Aftermarket	Produttore	Modello	Misura ruota	Pezzi per palette	Peso kg.	prezzo EUR senza IVA
R1-1675	Citroën Nfz	Jumpy II Kasten	7 Jx 16	30	11,3	<b>92,50</b>
R1-1675	Fiat	Scudo II Kombi	7 Jx 16	30	11,3	<b>92,50</b>
R1-1675	Fiat Nfz	Scudo II Kasten	7 Jx 16	30	11,3	<b>92,50</b>
R1-1675	Peugeot	Expert II Tepee	7 Jx 16	30	11,3	<b>92,50</b>
R1-1675	Peugeot Nfz.	Expert II Kasten	7 Jx 16	30	11,3	<b>92,50</b>
R1-1677	Fiat	Bravo	7 Jx 16	30	8,6	<b>97,40</b>
R1-1677	Lancia	Delta	7 Jx 16	30	8,6	<b>97,40</b>
R1-1679	Citroën Nfz	Nemo	5½ Jx 14	54	5,9	<b>57,90</b>
R1-1679	Fiat Nfz	Fiorino	5½ Jx 14	54	5,9	<b>57,90</b>
R1-1679	Peugeot Nfz.	Bipper	5½ Jx 14	54	5,9	<b>57,90</b>
R1-1681	Citroën	Nemo Kombi	6 Jx 15	40	7,1	<b>75,70</b>
R1-1681	Citroën Nfz	Nemo	6 Jx 15	40	7,1	<b>75,70</b>
R1-1681	Fiat	Linea	6 Jx 15	40	7,1	<b>75,70</b>
R1-1681	Fiat	Qubo	6 Jx 15	40	7,1	<b>75,70</b>
R1-1681	Fiat Nfz	Fiorino	6 Jx 15	40	7,1	<b>75,70</b>
R1-1681	Peugeot	Bipper Tepee	6 Jx 15	40	7,1	<b>75,70</b>
R1-1681	Peugeot Nfz.	Bipper	6 Jx 15	40	7,1	<b>75,70</b>
R1-1684	Dacia	Dokker/Express	6 Jx 15	40	8,0	<b>83,70</b>
R1-1684	Dacia	Logan/MCV/Sandero	6 Jx 15	40	8,0	<b>83,70</b>
R1-1684	Dacia	Logan Express/Pick Up	6 Jx 15	40	8,0	<b>83,70</b>
R1-1684	Dacia	Logan Break	6 Jx 15	40	8,0	<b>83,70</b>
R1-1684	Dacia	Sandero Stepway	6 Jx 15	40	8,0	<b>83,70</b>
R1-1689	Fiat	500/500C	5½ Jx 14	54	5,6	<b>57,10</b>
R1-1689	Fiat	Panda	5½ Jx 14	54	5,6	<b>57,10</b>
R1-1689	Ford	KA II	5½ Jx 14	54	5,6	<b>57,10</b>
R1-1691	Toyota	Auris	6½ Jx 16	30	9,6	<b>103,30</b>
R1-1692	Toyota	Auris	6 Jx 15	40	8,1	<b>92,50</b>
R1-1693	Hyundai	i30/i30cw	5½ Jx 15	48	7,7	<b>84,70</b>
R1-1693	Kia	Cee'd/Pro Cee'd Sporty Wagon	5½ Jx 15	48	7,7	<b>84,70</b>
R1-1694	Hyundai	i30/i30cw	6 Jx 16	25	8,6	<b>93,70</b>
R1-1694	Kia	Cee'd/Pro Cee'd Sporty Wagon	6 Jx 16	25	8,6	<b>93,70</b>
R1-1695	Mercedes	C-Klasse	7 Jx 16	40	8,1	<b>99,30</b>

<b>R1-1614</b>	Volkswagen Nfz.	T5 Transporter	7 Jx17	25	14,0	<b>145,20</b>
<b>R1-1614</b>	Volkswagen Nfz.	T6 Transporter	7 Jx17	25	14,0	<b>145,20</b>
<b>R1-1615</b>	Honda	Accord/Tourer	6½ Jx16	30	10,4	<b>106,20</b>
<b>R1-1615</b>	Honda	Civic	6½ Jx16	30	10,4	<b>106,20</b>
<b>R1-1620</b>	Citroën	C6	7 Jx17	25	10,1	<b>113,00</b>
<b>R1-1621</b>	Chevrolet/Daewoo	Lacetti	5½ Jx14	48	6,9	<b>89,00</b>
<b>R1-1621</b>	Chevrolet/Daewoo	Nubira J200	5½ Jx14	48	6,9	<b>89,00</b>
<b>R1-1621</b>	Chevrolet/Daewoo	Rezzo/Tacuma	5½ Jx14	48	6,9	<b>89,00</b>
<b>R1-1625</b>	Ford Nfz	Transit	5 Jx16	30		<b>125,50</b>
<b>R1-1626</b>	Fiat	Doblò	5½ Jx15	48	6,7	<b>76,10</b>
<b>R1-1626</b>	Fiat Nfz	Doblò Cargo	5½ Jx15	48	6,7	<b>76,10</b>
<b>R1-1628</b>	Fiat	Doblò	5½ Jx14	54	7,3	<b>61,90</b>
<b>R1-1628</b>	Fiat Nfz	Doblò Cargo	5½ Jx14	54	7,3	<b>61,90</b>
<b>R1-1630</b>	Nissan	Note	5½ Jx15	40	6,4	<b>84,10</b>
<b>R1-1631</b>	Hyundai	Accent	5½ Jx14	48	7,3	<b>87,60</b>
<b>R1-1631</b>	Kia	Rio II	5½ Jx14	48	7,3	<b>87,60</b>
<b>R1-1633</b>	Dacia	Logan/MCV/Sandero	5½ Jx14	48	6,7	<b>63,40</b>
<b>R1-1635</b>	Citroën	Jumper II Kombi/Minibus	6 Jx15	40	10,4	<b>97,90</b>
<b>R1-1635</b>	Citroën Nfz	Jumper II	6 Jx15	40	10,4	<b>97,90</b>
<b>R1-1635</b>	Fiat	Ducato II Kombi/Bus	6 Jx15	40	10,4	<b>97,90</b>
<b>R1-1635</b>	Fiat Nfz	Ducato II	6 Jx15	40	10,4	<b>97,90</b>
<b>R1-1635</b>	Fiat Nfz	Ducato II	6 Jx15	40	10,4	<b>97,90</b>
<b>R1-1635</b>	Peugeot	Boxer II	6 Jx15	40	10,4	<b>97,90</b>
<b>R1-1635</b>	Peugeot Nfz.	Boxer II	6 Jx15	40	10,4	<b>97,90</b>
<b>R1-1636</b>	Citroën	Jumper II Kombi/Minibus	6 Jx16	30	12,0	<b>113,80</b>
<b>R1-1636</b>	Citroën Nfz	Jumper II	6 Jx16	30	12,0	<b>113,80</b>
<b>R1-1636</b>	Fiat	Ducato II Kombi/Bus	6 Jx16	30	12,0	<b>113,80</b>
<b>R1-1636</b>	Fiat Nfz	Ducato II/Maxi	6 Jx16	30	12,0	<b>113,80</b>
<b>R1-1636</b>	Fiat Nfz	Ducato II/Maxi	6 Jx16	30	12,0	<b>113,80</b>
<b>R1-1636</b>	Peugeot	Boxer II	6 Jx16	30	12,0	<b>113,80</b>
<b>R1-1636</b>	Peugeot Nfz.	Boxer II	6 Jx16	30	12,0	<b>113,80</b>
<b>R1-1636</b>	Peugeot Nfz.	Boxer II	6 Jx16	30	12,0	<b>113,80</b>
<b>R1-1637</b>	Renault	Twingo II	5½ Jx14	54	5,7	<b>61,40</b>
<b>R1-1638</b>	Fiat	Idea	6 Jx14	54	8,2	<b>64,90</b>
<b>R1-1638</b>	Lancia	Musa	6 Jx14	54	8,2	<b>64,90</b>

<b>R1-1651</b>	Citroën	C3	6 Jx15	40	8,4	<b>71,30</b>
<b>R1-1651</b>	Citroën	C3 Picasso	6 Jx15	40	8,4	<b>71,30</b>
<b>R1-1651</b>	Citroën	C-Elysee	6 Jx15	40	8,4	<b>71,30</b>
<b>R1-1651</b>	Citroën	DS3	6 Jx15	40	8,4	<b>71,30</b>
<b>R1-1651</b>	Peugeot	207/SW	6 Jx15	40	8,4	<b>71,30</b>
<b>R1-1651</b>	Peugeot	208	6 Jx15	40	8,4	<b>71,30</b>
<b>R1-1651</b>	Peugeot	301	6 Jx15	40	8,4	<b>71,30</b>
<b>R1-1652</b>	Toyota	Corolla Verso	6½ Jx16	30	8,9	<b>103,00</b>
<b>R1-1662</b>	Opel	Adam	5½ Jx14	48	6,2	<b>56,60</b>
<b>R1-1662</b>	Opel	Corsa-D	5½ Jx14	48	6,2	<b>56,60</b>
<b>R1-1662</b>	Opel	Corsa-E	5½ Jx14	48	6,2	<b>56,60</b>
<b>R1-1662</b>	Opel Nfz.	Corsa-D Van	5½ Jx14	48	6,2	<b>56,60</b>
<b>R1-1662</b>	Opel Nfz.	Corsa-E Van	5½ Jx14	48	6,2	<b>56,60</b>
<b>R1-1663</b>	Citroën	Berlingo II	6½ Jx16	25	9,0	<b>86,10</b>
<b>R1-1663</b>	Citroën	C4 Picasso/Grand Picasso	6½ Jx16	25	9,0	<b>86,10</b>
<b>R1-1663</b>	Peugeot	Partner II Tepee	6½ Jx16	25	9,0	<b>86,10</b>
<b>R1-1664</b>	Citroën Nfz	Jumpy II Kasten	6½ Jx15	40	9,9	<b>86,10</b>
<b>R1-1664</b>	Fiat Nfz	Scudo II Kasten	6½ Jx15	40	9,9	<b>86,10</b>
<b>R1-1664</b>	Peugeot Nfz.	Expert II Kasten	6½ Jx15	40	9,9	<b>86,10</b>
<b>R1-1665</b>	Fiat	Sedici	6 Jx16	25	8,6	<b>86,30</b>
<b>R1-1665</b>	Suzuki	SX-4/SX4-Classic	6 Jx16	25	8,6	<b>86,30</b>
<b>R1-1666</b>	Opel	Corsa-D	6 Jx16	30	8,2	<b>85,00</b>
<b>R1-1666</b>	Opel	Corsa-E	6 Jx16	30	8,2	<b>85,00</b>
<b>R1-1667</b>	Toyota	RAV4	6½ Jx16	30	8,9	<b>116,80</b>
<b>R1-1668</b>	Toyota	Avensis II	6½ Jx16	30	9,0	<b>106,20</b>
<b>R1-1669</b>	Renault	Laguna III/Grandtour	6 Jx16	30	7,7	<b>81,30</b>
<b>R1-1670</b>	Renault	Laguna III/Grandtour	7 Jx16	30	7,7	<b>83,90</b>
<b>R1-1670</b>	Renault	Latitude	7 Jx16	30	7,7	<b>83,90</b>
<b>R1-1672</b>	Skoda	Fabia II	6 Jx14	40	7,6	<b>64,60</b>
<b>R1-1672</b>	Skoda	Roomster	6 Jx14	40	7,6	<b>64,60</b>
<b>R1-1672</b>	Skoda Nfz.	Praktik	6 Jx14	40	7,6	<b>64,60</b>
<b>R1-1673</b>	Mercedes Nfz	Sprinter II	5½ Jx16	30	10,5	<b>119,90</b>
<b>R1-1673</b>	Volkswagen Nfz.	Crafter 30	5½ Jx16	30	10,5	<b>119,90</b>
<b>R1-1674</b>	Mercedes Nfz	Sprinter II (Facelift)	5½ Jx16	30	12,5	<b>155,30</b>
<b>R1-1675</b>	Citroën	Jumpy II Kombi	7 Jx16	30	11,3	<b>92,50</b>

<b>R1-1695</b>	Mercedes	C-Klasse Coupé	7 Jx16	40	8,1	<b>99,30</b>
<b>R1-1696</b>	Mercedes	C-Klasse	6 Jx16	40	7,4	<b>91,10</b>
<b>R1-1696</b>	Mercedes	C-Klasse Coupé	6 Jx16	40	7,4	<b>91,10</b>
<b>R1-1697</b>	Smart	Fortwo II	4½ Jx15	56	6,2	<b>63,50</b>
<b>R1-1698</b>	Smart	Fortwo II	5½ Jx15	48	6,7	<b>65,10</b>
<b>R1-1700</b>	Citroën	C4	6½ Jx15	40	7,4	<b>74,40</b>
<b>R1-1700</b>	Citroën	DS4	6½ Jx15	40	7,4	<b>74,40</b>
<b>R1-1700</b>	Peugeot	308/SW/CC	6½ Jx15	40	7,4	<b>74,40</b>
<b>R1-1701</b>	Peugeot	308/SW/CC	7 Jx16	30	8,3	<b>85,70</b>
<b>R1-1701</b>	Peugeot	3008	7 Jx16	30	8,3	<b>85,70</b>
<b>R1-1702</b>	Audi	A4/Avant	7 Jx16	30	8,9	<b>100,10</b>
<b>R1-1703</b>	BMW	Serie 1	6½ Jx16	40	7,2	<b>105,00</b>
<b>R1-1703</b>	BMW	Serie 1 Coupé/Cabrio	6½ Jx16	40	7,2	<b>105,00</b>
<b>R1-1703</b>	BMW	Serie 1	6½ Jx16	40	7,2	<b>105,00</b>
<b>R1-1703</b>	BMW	Serie 1 Coupé/Cabrio	6½ Jx16	40	7,2	<b>105,00</b>
<b>R1-1704</b>	BMW	Serie 1	7 Jx16	40	7,4	<b>105,00</b>
<b>R1-1704</b>	BMW	Serie 1 Coupé/Cabrio	7 Jx16	40	7,4	<b>105,00</b>
<b>R1-1704</b>	BMW	Serie 1	7 Jx16	40	7,4	<b>105,00</b>
<b>R1-1704</b>	BMW	Serie 1 Coupé/Cabrio	7 Jx16	40	7,4	<b>105,00</b>
<b>R1-1705</b>	BMW	Serie 3	7 Jx16	40	8,0	<b>92,70</b>
<b>R1-1705</b>	BMW	Serie 3 Coupé/Cabrio	7 Jx16	40	8,0	<b>92,70</b>
<b>R1-1705</b>	BMW	Serie 3 Touring	7 Jx16	40	8,0	<b>92,70</b>
<b>R1-1705</b>	BMW	Serie 3 xDrive	7 Jx16	40	8,0	<b>92,70</b>
<b>R1-1705</b>	BMW	Serie 3 Lim/Touring	7 Jx16	40	8,0	<b>92,70</b>
<b>R1-1705</b>	BMW	Serie 3 Coupé/Cabrio	7 Jx16	40	8,0	<b>92,70</b>
<b>R1-1706</b>	Fiat	Sedici	6 Jx15	40	7,0	<b>78,20</b>
<b>R1-1706</b>	Suzuki	Swift 1600 Sport	6 Jx15	40	7,0	<b>78,20</b>
<b>R1-1706</b>	Suzuki	SX-4/SX4-Classic	6 Jx15	40	7,0	<b>78,20</b>
<b>R1-1707</b>	Ford	C-Max	6½ Jx16	30	9,7	<b>88,00</b>
<b>R1-1707</b>	Ford	C-Max/Grand C-Max	6½ Jx16	30	9,7	<b>88,00</b>
<b>R1-1707</b>	Ford	Focus II/CC/ST220	6½ Jx16	30	9,7	<b>88,00</b>
<b>R1-1707</b>	Ford	Focus III	6½ Jx16	30	9,7	<b>88,00</b>
<b>R1-1707</b>	Ford	Kuga	6½ Jx16	30	9,7	<b>88,00</b>
<b>R1-1707</b>	Ford	Mondeo	6½ Jx16	30	9,7	<b>88,00</b>
<b>R1-1707</b>	Ford	Mondeo (MY 2015)	6½ Jx16	30	9,7	<b>88,00</b>

## ELENCO PER CODICE PRODOTTO

MW Aftermarket	Produttore	Modello	Misura ruota	Pezzi per paletta	Peso kg.	prezzo EUR senza IVA
R1-1708	Kia	Carens II	6 Jx 15	40	8,6	<b>102,30</b>
R1-1709	Kia	Carnival II	6½ Jx 16	40	12,8	<b>115,70</b>
R1-1710	Alfa Romeo	MiTo/Turismo	7 Jx 16	30	8,6	<b>94,80</b>
R1-1711	Renault	Kangoo II/ Kangoo be bop	6 Jx 16	30	8,5	<b>102,90</b>
R1-1711	Renault Nfz.	Kangoo II Rapid	6 Jx 16	30	8,5	<b>102,90</b>
R1-1712	Mercedes Nfz	Citan	6 Jx 15	48	9,1	<b>82,50</b>
R1-1712	Renault	Kangoo II	6 Jx 15	48	9,1	<b>82,50</b>
R1-1712	Renault Nfz.	Kangoo II Rapid	6 Jx 15	48	9,1	<b>82,50</b>
R1-1712	Renault Nfz.	Kangoo Z.E.	6 Jx 15	48	9,1	<b>82,50</b>
R1-1713	Mercedes Nfz	Citan	5½ Jx 14	54	6,4	<b>75,90</b>
R1-1713	Renault	Kangoo II	5½ Jx 14	54	6,4	<b>75,90</b>
R1-1713	Renault Nfz.	Kangoo II Rapid Compact	5½ Jx 14	54	6,4	<b>75,90</b>
R1-1715	Fiat	Croma (Facelift)	6½ Jx 16	30	8,7	<b>88,40</b>
R1-1717	Opel	Agila	5½ Jx 15	40	6,8	<b>75,80</b>
R1-1717	Suzuki	Splash	5½ Jx 15	40	6,8	<b>75,80</b>
R1-1718	Opel	Insignia/Sports Tourer	6½ Jx 16	30	8,4	<b>89,50</b>
R1-1718	Saab	9-5	6½ Jx 16	30	8,4	<b>89,50</b>
R1-1720	Mazda	Mazda 2	6 Jx 14	54	6,7	<b>76,80</b>
R1-1721	Mazda	Mazda 2	6 Jx 15	40	7,4	<b>84,10</b>
R1-1722	Mazda	Mazda 6	6 Jx 16	30	10,6	<b>92,50</b>
R1-1723	Seat	Alhambra II	6½ Jx 16	30	8,3	<b>93,20</b>
R1-1723	Volkswagen	Sharan II	6½ Jx 16	30	8,3	<b>93,20</b>
R1-1723	Volkswagen	Tiguan	6½ Jx 16	30	8,3	<b>93,20</b>
R1-1724	Dacia	Logan/MCV/Sandero/Stepway	6 Jx 15	40	7,4	<b>83,50</b>
R1-1725	Subaru	BRZ	6½ Jx 16	30	10,0	<b>110,20</b>
R1-1725	Subaru	Forester	6½ Jx 16	30	10,0	<b>110,20</b>
R1-1725	Subaru	Forester	6½ Jx 16	30	10,0	<b>110,20</b>
R1-1725	Subaru	Forester	6½ Jx 16	30	10,0	<b>110,20</b>
R1-1725	Subaru	Forester	6½ Jx 16	30	10,0	<b>110,20</b>
R1-1725	Subaru	Forester	6½ Jx 16	30	10,0	<b>110,20</b>
R1-1725	Subaru	Forester	6½ Jx 16	30	10,0	<b>110,20</b>
R1-1725	Subaru	Forester	6½ Jx 16	30	10,0	<b>110,20</b>
R1-1725	Subaru	Impreza	6½ Jx 16	30	10,0	<b>110,20</b>
R1-1725	Subaru	Legacy	6½ Jx 16	30	10,0	<b>110,20</b>

MW Aftermarket	Produttore	Modello	Misura ruota	Pezzi per paletta	Peso kg.	prezzo EUR senza IVA
R1-1738	Ford Nfz	Fiesta Van (Facelift)	5½ Jx 14	48	7,1	<b>63,10</b>
R1-1739	Honda	Accord/Tourer	6½ Jx 16	30	9,3	<b>105,70</b>
R1-1740	Nissan	Qashqai	6½ Jx 16	30	7,6	<b>99,50</b>
R1-1741	Fiat	Doblò Heavy	6 Jx 15	40	7,5	<b>76,30</b>
R1-1741	Fiat Nfz	Doblò Cargo	6 Jx 15	40	7,5	<b>76,30</b>
R1-1741	Opel Nfz.	Combo-D	6 Jx 15	40	7,5	<b>76,30</b>
R1-1743	Fiat	500L	6 Jx 15	40	6,7	<b>76,40</b>
R1-1743	Fiat	Doblò Light	6 Jx 15	40	6,7	<b>76,40</b>
R1-1743	Fiat Nfz	Doblò Cargo	6 Jx 15	40	6,7	<b>76,40</b>
R1-1744	Toyota	Avensis III	6½ Jx 16	30	10,8	<b>106,80</b>
R1-1744	Toyota	Prius Plus	6½ Jx 16	30	10,8	<b>106,80</b>
R1-1744	Toyota	Verso/Verso Life	6½ Jx 16	30	10,8	<b>106,80</b>
R1-1745	Hyundai	i20	5 Jx 14	63	6,5	<b>82,90</b>
R1-1747	Citroën	C3	6 Jx 16	30	7,2	<b>84,30</b>
R1-1747	Citroën	C3 Picasso	6 Jx 16	30	7,2	<b>84,30</b>
R1-1748	Mazda	Mazda 5	6½ Jx 16	30	8,9	<b>125,70</b>
R1-1748	Mazda	MPV	6½ Jx 16	30	8,9	<b>125,70</b>
R1-1748	Mazda	Tribute	6½ Jx 16	30	8,9	<b>125,70</b>
R1-1749	Piaggio	Ape	4,00 Bx 12			<b>61,50</b>
R1-1750	Honda	Insight	5½ Jx 15	48	6,9	<b>89,00</b>
R1-1750	Honda	Jazz II	5½ Jx 15	48	6,9	<b>89,00</b>
R1-1751	Kia	Soul	6 Jx 15	40	7,9	<b>84,60</b>
R1-1752	Mercedes	Viano	6 Jx 16	30	9,8	<b>115,70</b>
R1-1752	Mercedes	Viano II (Facelift)	6 Jx 16	30	9,8	<b>115,70</b>
R1-1752	Mercedes Nfz	Vito II	6 Jx 16	30	9,8	<b>115,70</b>
R1-1752	Mercedes Nfz	Vito II (Facelift)	6 Jx 16	30	9,8	<b>115,70</b>
R1-1753	Citroën	C-Crosser	6½ Jx 16	30	9,4	<b>104,80</b>
R1-1753	Mitsubishi	Outlander II	6½ Jx 16	30	9,4	<b>104,80</b>
R1-1753	Peugeot	4007	6½ Jx 16	30	9,4	<b>104,80</b>
R1-1754	Seat	Exeo/ST	7 Jx 16	24	9,5	<b>85,90</b>
R1-1754	Skoda	Superb II/Combi	7 Jx 16	24	9,5	<b>85,90</b>
R1-1754	Skoda	Yeti	7 Jx 16	24	9,5	<b>85,90</b>

MW Aftermarket	Produttore	Modello	Misura ruota	Pezzi per paletta	Peso kg.	prezzo EUR senza IVA
R1-1778	Peugeot	3008	7½ Jx 17	20	10,0	<b>108,90</b>
R1-1779	Dacia	Duster	6½ Jx 16	30	9,3	<b>87,90</b>
R1-1780	Suzuki	Swift	5 Jx 15	40	7,1	<b>76,90</b>
R1-1781	Citroën	C3 II	6 Jx 16	30	7,1	<b>83,80</b>
R1-1781	Citroën	DS3/Cabrio	6 Jx 16	30	7,1	<b>83,80</b>
R1-1781	Peugeot	208	6 Jx 16	30	7,1	<b>83,80</b>
R1-1782	Peugeot	508/SW	7 Jx 16	30	8,0	<b>85,40</b>
R1-1783	Opel	Combo Combi/Tour	6 Jx 15	40	8,2	<b>90,10</b>
R1-1783	Opel Nfz.	Combo-C	6 Jx 15	40	8,2	<b>90,10</b>
R1-1783	Opel Nfz.	Corsa-C Van	6 Jx 15	40	8,2	<b>90,10</b>
R1-1786	Fiat	Doblò	6 Jx 16	30	9,4	<b>89,00</b>
R1-1786	Fiat Nfz	Doblò Cargo/Maxi	6 Jx 16	30	9,4	<b>89,00</b>
R1-1786	Opel Nfz.	Combo-D	6 Jx 16	30	9,4	<b>89,00</b>
R1-1788	Chevrolet/Daewoo	Spark	4½ Jx 13	63	5,9	<b>57,30</b>
R1-1789	Hyundai	ix35	6½ Jx 16	30	10,5	<b>98,80</b>
R1-1789	Hyundai	Sonata/Sonica	6½ Jx 16	30	10,5	<b>98,80</b>
R1-1789	Hyundai	Tucson	6½ Jx 16	30	10,5	<b>98,80</b>
R1-1789	Kia	Magentis	6½ Jx 16	30	10,5	<b>98,80</b>
R1-1789	Kia	Sportage II	6½ Jx 16	30	10,5	<b>98,80</b>
R1-1790	Hyundai	i20	5½ Jx 14	63	7,2	<b>82,90</b>
R1-1791	Hyundai	i20	6 Jx 15	40	7,6	<b>85,10</b>
R1-1792	Chevrolet/Daewoo	Captiva	6½ Jx 16	34	11,0	<b>127,80</b>
R1-1792	Opel	Antara	6½ Jx 16	34	11,0	<b>127,80</b>
R1-1793	Mercedes	Viano	6½ Jx 16	30	11,4	<b>123,60</b>
R1-1793	Mercedes	Viano II (Facelift)	6½ Jx 16	30	11,4	<b>123,60</b>
R1-1793	Mercedes Nfz	Vito II	6½ Jx 16	30	11,4	<b>123,60</b>
R1-1793	Mercedes Nfz	Vito II (Facelift)	6½ Jx 16	30	11,4	<b>123,60</b>
R1-1793	Mercedes Nfz	Vito E-CELL	6½ Jx 16	30	11,4	<b>123,60</b>
R1-1794	Nissan	Micra	5½ Jx 14	48	6,5	<b>82,00</b>
R1-1796	Volkswagen Nfz.	Caddy/Kombi	6 Jx 15	40	7,9	<b>73,70</b>
R1-1796	Volkswagen Nfz.	Caddy/Maxi	6 Jx 15	40	7,9	<b>73,70</b>
R1-1798	Piaggio	Porter	4½ Jx 13		6,3	<b>70,00</b>



<b>R1-1725</b>	Subaru	Legacy Outback	6½Jx16	30	10,0	<b>110,20</b>
<b>R1-1725</b>	Subaru	Legacy Outback	6½Jx16	30	10,0	<b>110,20</b>
<b>R1-1725</b>	Subaru	Legacy Outback	6½Jx16	30	10,0	<b>110,20</b>
<b>R1-1725</b>	Subaru	Legacy Outback	6½Jx16	30	10,0	<b>110,20</b>
<b>R1-1726</b>	Subaru	Impreza	6Jx15	40	8,3	<b>95,20</b>
<b>R1-1727</b>	Seat	Ibiza/ST	6Jx15	40	9,2	<b>74,20</b>
<b>R1-1727</b>	Seat	Toledo IV	6Jx15	40	9,2	<b>74,20</b>
<b>R1-1727</b>	Skoda	Fabia III	6Jx15	40	9,2	<b>74,20</b>
<b>R1-1727</b>	Skoda	Rapid/Spaceback	6Jx15	40	9,2	<b>74,20</b>
<b>R1-1727</b>	Volkswagen	Polo V	6Jx15	40	9,2	<b>74,20</b>
<b>R1-1728</b>	Nissan	Tiida	5½Jx15	48	7,8	<b>85,80</b>
<b>R1-1730</b>	Ford	Fiesta VI	6Jx15	40	6,9	<b>69,70</b>
<b>R1-1730</b>	Ford	Fiesta VI (Facelift)	6Jx15	40	6,9	<b>69,70</b>
<b>R1-1730</b>	Ford Nfz	Fiesta Van	6Jx15	40	6,9	<b>69,70</b>
<b>R1-1730</b>	Ford Nfz	Fiesta Van (Facelift)	6Jx15	40	6,9	<b>69,70</b>
<b>R1-1731</b>	Volkswagen	Caddy Life/Maxi	6Jx16	30	8,3	<b>89,40</b>
<b>R1-1731</b>	Volkswagen	Caddy Generation Four/Beach	6Jx16	30	8,3	<b>89,40</b>
<b>R1-1731</b>	Volkswagen Nfz.	Caddy/Maxi/Kombi	6Jx16	30	8,3	<b>89,40</b>
<b>R1-1731</b>	Volkswagen Nfz.	Caddy/Maxi	6Jx16	30	8,3	<b>89,40</b>
<b>R1-1732</b>	Renault	Fluence	6½Jx16	30	7,1	<b>87,80</b>
<b>R1-1732</b>	Renault	Fluence Z.E.	6½Jx16	30	7,1	<b>87,80</b>
<b>R1-1732</b>	Renault	Megane III/Coupé/Grandtour	6½Jx16	30	7,1	<b>87,80</b>
<b>R1-1732</b>	Renault	Megane III Scenic/Grand Scenic/Xmod	6½Jx16	30	7,1	<b>87,80</b>
<b>R1-1733</b>	Citroën	C5/C5 Tourer	7Jx16	30	8,0	<b>88,60</b>
<b>R1-1734</b>	Renault	Fluence	6½Jx15	40	7,2	<b>77,80</b>
<b>R1-1734</b>	Renault	Megane III/Coupé/Grandtour	6½Jx15	40	7,2	<b>77,80</b>
<b>R1-1734</b>	Renault	Megane III Scenic	6½Jx15	40	7,2	<b>77,80</b>
<b>R1-1735</b>	Citroën	Berlingo II	6½Jx15	40	8,3	<b>86,70</b>
<b>R1-1735</b>	Citroën Nfz	Berlingo II	6½Jx15	40	8,3	<b>86,70</b>
<b>R1-1735</b>	Peugeot	Partner II Tepee	6½Jx15	40	8,3	<b>86,70</b>
<b>R1-1735</b>	Peugeot Nfz.	Partner II	6½Jx15	40	8,3	<b>86,70</b>
<b>R1-1737</b>	Mitsubishi	Lancer/Sportback	6½Jx16	30	9,6	<b>99,00</b>
<b>R1-1738</b>	Ford	Fiesta VI	5½Jx14	48	7,1	<b>63,10</b>
<b>R1-1738</b>	Ford	Fiesta VI (Facelift)	5½Jx14	48	7,1	<b>63,10</b>
<b>R1-1738</b>	Ford Nfz	Fiesta Van	5½Jx14	48	7,1	<b>63,10</b>

<b>R1-1755</b>	Toyota	Prius II	6Jx16	30	9,1	<b>102,90</b>
<b>R1-1755</b>	Toyota	Prius III	6Jx16	30	9,1	<b>102,90</b>
<b>R1-1756</b>	Toyota	IQ	5Jx15	48	7,3	<b>84,20</b>
<b>R1-1757</b>	Daihatsu	Materia	5Jx14	54	7,1	<b>97,80</b>
<b>R1-1757</b>	Daihatsu	Sirion II	5Jx14	54	7,1	<b>97,80</b>
<b>R1-1757</b>	Subaru	Justy	5Jx14	54	7,1	<b>97,80</b>
<b>R1-1758</b>	Citroën	C4	7Jx16	30	7,7	<b>87,20</b>
<b>R1-1758</b>	Citroën	DS4	7Jx16	30	7,7	<b>87,20</b>
<b>R1-1759</b>	BMW	X1	7½Jx17	25	10,6	<b>114,60</b>
<b>R1-1760</b>	Audi	A1/Sportback	6Jx15	40	7,6	<b>82,40</b>
<b>R1-1763</b>	Nissan	Pixo	4½Jx14	63	5,9	<b>68,30</b>
<b>R1-1763</b>	Suzuki	Alto	4½Jx14	63	5,9	<b>68,30</b>
<b>R1-1764</b>	Nissan Nfz.	NV400	7Jx16	25		<b>98,60</b>
<b>R1-1764</b>	Opel Nfz.	Movano II	7Jx16	25		<b>98,60</b>
<b>R1-1764</b>	Renault Nfz.	Master	7Jx16	30		<b>98,60</b>
<b>R1-1765</b>	Nissan Nfz.	NV400	6½Jx16	25	12,6	<b>95,80</b>
<b>R1-1765</b>	Opel Nfz.	Movano II	6½Jx16	25	12,6	<b>95,80</b>
<b>R1-1765</b>	Renault Nfz.	Master	6½Jx16	30	12,6	<b>95,80</b>
<b>R1-1766</b>	Mazda	Mazda 3	6Jx15	40	7,8	<b>90,00</b>
<b>R1-1767</b>	Mazda	Mazda 3	6½Jx16	30	9,2	<b>95,30</b>
<b>R1-1768</b>	Hyundai	i20	5½Jx15	40	7,5	<b>84,10</b>
<b>R1-1769</b>	Peugeot	5008	7Jx16	30	9,2	<b>84,50</b>
<b>R1-1770</b>	Hyundai	i30/i30cw	6Jx16	25	12,6	<b>95,80</b>
<b>R1-1772</b>	Alfa Romeo	Giulietta/Turismo	7Jx16	30	9,2	<b>90,30</b>
<b>R1-1775</b>	Kia	Venga	6Jx15	40	7,8	<b>83,70</b>
<b>R1-1776</b>	Chevrolet/Daewoo	Cruze	6½Jx16	30	8,1	<b>89,30</b>
<b>R1-1776</b>	Opel	Astra-J/Sports-Tourer	6½Jx16	30	8,1	<b>89,30</b>
<b>R1-1776</b>	Opel Nfz.	Astra-J Van	6½Jx16	30	8,1	<b>89,30</b>
<b>R1-1777</b>	Chevrolet/Daewoo	Cruze	6½Jx16	30	8,9	<b>89,30</b>
<b>R1-1777</b>	Chevrolet/Daewoo	Orlando	6½Jx16	30	8,9	<b>89,30</b>
<b>R1-1777</b>	Chevrolet/Daewoo	Volt	6½Jx16	30	8,9	<b>89,30</b>
<b>R1-1777</b>	Opel	Ampera	6½Jx16	30	8,9	<b>89,30</b>
<b>R1-1777</b>	Opel	Astra-J/Sports-Tourer	6½Jx16	30	8,9	<b>89,30</b>
<b>R1-1777</b>	Opel	Zafira-C Tourer	6½Jx16	30	8,9	<b>89,30</b>
<b>R1-1777</b>	Opel Nfz.	Astra-J Van	6½Jx16	30	8,9	<b>89,30</b>

<b>R1-1799</b>	Nissan Nfz.	NV400	5½Jx16	25	12,3	<b>128,00</b>
<b>R1-1799</b>	Opel Nfz.	Movano II	5½Jx16	25	12,3	<b>128,00</b>
<b>R1-1799</b>	Renault Nfz.	Master	5½Jx16	25	12,3	<b>128,00</b>
<b>R1-1800</b>	Audi	A4/Avant	7½Jx16	30		<b>101,80</b>
<b>R1-1802</b>	Mini	Mini Countryman (R60)	6½Jx16	30	8,3	<b>105,00</b>
<b>R1-1802</b>	Mini	Mini Paceman	6½Jx16	30	8,3	<b>105,00</b>
<b>R1-1803</b>	Fiat	Panda/Classic	5,00Bx13	54	5,0	<b>56,40</b>
<b>R1-1804</b>	Lancia	Ypsilon	6Jx15	40	6,8	<b>78,50</b>
<b>R1-1805</b>	Citroën	C-Zero	4Jx15	40	7,1	<b>93,20</b>
<b>R1-1805</b>	Mitsubishi	i-Miev	4Jx15	40	7,1	<b>93,20</b>
<b>R1-1805</b>	Peugeot	iOn	4Jx15	40	7,1	<b>93,20</b>
<b>R1-1806</b>	Citroën	C-Zero	5Jx15	40	7,2	<b>93,20</b>
<b>R1-1806</b>	Mitsubishi	i-Miev	5Jx15	40	7,2	<b>93,20</b>
<b>R1-1806</b>	Peugeot	iOn	5Jx15	40	7,2	<b>93,20</b>
<b>R1-1807</b>	Subaru	Trezia	5½Jx15	40	8,9	<b>93,70</b>
<b>R1-1807</b>	Toyota	Verso S	5½Jx15	40	8,9	<b>93,70</b>
<b>R1-1808</b>	Volkswagen Nfz.	Amarok	6½Jx16	30	11,3	<b>95,50</b>
<b>R1-1809</b>	Volkswagen Nfz.	T5 BlueMotion	6½Jx16	30		<b>92,00</b>
<b>R1-1810</b>	Volkswagen	Beetle/Cabrio	6½Jx16	30	8,8	<b>88,90</b>
<b>R1-1811</b>	Nissan	Evalia	5½Jx14	54	7,7	<b>83,00</b>
<b>R1-1811</b>	Nissan Nfz.	NV200	5½Jx14	54	7,7	<b>83,00</b>
<b>R1-1812</b>	Mercedes	A-Klasse	6½Jx16	40	7,8	<b>90,20</b>
<b>R1-1812</b>	Mercedes	B-Klasse	6½Jx16	30	7,8	<b>90,20</b>
<b>R1-1812</b>	Mercedes	CLA	6½Jx16	30	7,8	<b>90,20</b>
<b>R1-1813</b>	Mercedes	A-Klasse	6½Jx15	48	6,8	<b>78,00</b>
<b>R1-1813</b>	Mercedes	B-Klasse	6½Jx15	40	6,8	<b>78,00</b>
<b>R1-1816</b>	BMW	Serie 1 (F20/21)	6½Jx16	30	7,9	<b>105,60</b>
<b>R1-1817</b>	Toyota	Yaris III	5Jx15	40	6,8	<b>88,80</b>
<b>R1-1818</b>	Mazda	Mazda 5	6½Jx16	30	10,1	<b>97,00</b>
<b>R1-1819</b>	Kia	Picanto II	5Jx14	54	6,2	<b>83,00</b>
<b>R1-1821</b>	Kia	Sportage III	6½Jx16	30	9,2	<b>101,30</b>
<b>R1-1821</b>	Kia	Sportage III	6½Jx16	30	9,2	<b>101,30</b>
<b>R1-1822</b>	Mitsubishi	ASX	6½Jx16	30	9,0	<b>106,00</b>
<b>R1-1823</b>	Suzuki	Kizashi	6½Jx16	30	9,3	<b>101,50</b>
<b>R1-1825</b>	Hyundai	i40/i40cw	7Jx16	30	9,9	<b>99,50</b>

## ELENCO PER CODICE PRODOTTO

MW Aftermarket	Produttore	Modello	Misura ruota	Pezzi per palette	Peso kg.	prezzo EUR senza IVA
R1-1826	Fiat	Panda/4x4	6 Jx15	48	7,0	<b>77,50</b>
R1-1828	Kia	Rio III	5½ Jx15	40	7,6	<b>82,50</b>
R1-1829	Seat	Mii	5 Jx14	54	5,8	<b>61,80</b>
R1-1829	Skoda	Citigo	5 Jx14	54	5,8	<b>61,80</b>
R1-1829	Volkswagen	UP/e-UP/Cross-UP	5 Jx14	54	5,8	<b>61,80</b>
R1-1830	Dodge	Journey	6½ Jx16	30	10,9	<b>89,50</b>
R1-1830	Fiat	Freemont	6½ Jx16	30	10,9	<b>89,50</b>
R1-1831	Chevrolet/Daewoo	Spark	4½ Jx14	54	6,5	<b>69,30</b>
R1-1832	Iveco Nfz	Iveco Daily S2000	6½ Jx16	30	13,3	<b>147,00</b>
R1-1832	Iveco Nfz	Iveco Daily S2000	6½ Jx16	30	13,3	<b>147,00</b>
R1-1833	Nissan Nfz.	Cabstar	5 Jx15	40	10,3	<b>90,00</b>
R1-1833	Renault Nfz.	Maxity	5 Jx15	40	10,3	<b>90,00</b>
R1-1834	Nissan	Juke	6½ Jx16	30	8,8	<b>94,00</b>
R1-1834	Nissan	Leaf	6½ Jx16	30	8,8	<b>94,00</b>
R1-1835	Fiat	500L/Living/Trekking	6 Jx16	30	7,8	<b>85,00</b>
R1-1838	Hyundai	i10 (Facelift)	4,00Bx13	63	5,3	<b>76,40</b>
R1-1843	Chevrolet/Daewoo	Aveo	6 Jx15	40	8,1	<b>79,10</b>
R1-1844	Dacia	Lodgy	5½ Jx14	54	7,2	<b>68,50</b>
R1-1845	Dacia	Dokker/Express/Stepway	6 Jx15	40	7,4	<b>84,20</b>
R1-1845	Dacia	Lodgy	6 Jx15	40	7,4	<b>84,20</b>
R1-1846	Chevrolet/Daewoo	Aveo	6 Jx15	40	8,5	<b>79,10</b>
R1-1847	Ford	B-Max	6 Jx15	40	6,8	<b>74,00</b>
R1-1848	Toyota	Yaris III	5 Jx14	54	6,1	<b>79,60</b>
R1-1849	Audi	A6/Avant	7½ Jx16	30	10,6	<b>81,40</b>
R1-1850	Seat	Leon III	6 Jx15	40	7,3	<b>71,30</b>
R1-1850	Skoda	Octavia III	6 Jx15	40	7,3	<b>71,30</b>
R1-1850	Volkswagen	Golf VII	6 Jx15	40	7,3	<b>71,30</b>
R1-1850	Volkswagen	Golf VII Variant/Sportsvan	6 Jx15	40	7,3	<b>71,30</b>
R1-1851	Audi	A3/Sportback	6 Jx16	30	7,9	<b>87,00</b>
R1-1851	Seat	Leon III	6 Jx16	30	7,9	<b>87,00</b>
R1-1851	Skoda	Octavia III	6 Jx16	30	7,9	<b>87,00</b>
R1-1851	Volkswagen	Golf VII	6 Jx16	30	7,9	<b>87,00</b>

MW Aftermarket	Produttore	Modello	Misura ruota	Pezzi per palette	Peso kg.	prezzo EUR senza IVA
R1-1883	Mazda	Mazda 3	6½ Jx16	30	10,3	<b>82,40</b>
R1-1884	Kia	Carens III	6½ Jx16	30		<b>86,10</b>
R1-1885	Honda	CR-V	6½ Jx17	25	10,0	<b>105,70</b>
R1-1886	Ford	Kuga II	6½ Jx16	30	10,0	<b>79,80</b>
R1-1886	Ford	Tourneo Connect/Grand Tourneo Connect	6½ Jx16	30	10,0	<b>79,80</b>
R1-1886	Ford Nfz	Transit Connect	6½ Jx16	30	10,0	<b>79,80</b>
R1-1887	Citroën	C4 Picasso/Grand Picasso	6½ Jx16	30	7,9	<b>74,80</b>
R1-1888	Toyota	Auris II/Touring Sport	6 Jx15	40	8,1	<b>73,50</b>
R1-1889	Citroën	C4 Cactus	6½ Jx15	40	6,5	<b>71,90</b>
R1-1889	Peugeot	2008	6½ Jx15	40	6,5	<b>71,90</b>
R1-1890	Citroën	C4 Cactus	6½ Jx16	30	10,3	<b>77,10</b>
R1-1890	Peugeot	2008	6½ Jx16	30	10,3	<b>77,10</b>
R1-1891	Nissan	Note II	5½ Jx15	40	6,9	<b>81,00</b>
R1-1892	Renault	Captur	6½ Jx16	30	7,6	<b>77,50</b>
R1-1894	Renault	Kangoo II	6 Jx15	40	8,1	<b>82,00</b>
R1-1894	Renault Nfz.	Kangoo II	6 Jx15	40	8,1	<b>82,00</b>
R1-1896	Nissan Nfz.	Primastar	6 Jx16	30	10,8	<b>90,50</b>
R1-1896	Opel Nfz.	Vivaro III	6 Jx16	30	10,8	<b>90,50</b>
R1-1896	Renault Nfz.	Trafic III	6 Jx16	30	10,8	<b>90,50</b>
R1-1897	Nissan	Juke	6½ Jx16	30	8,4	<b>94,50</b>
R1-1897	Nissan	Pulsar	6½ Jx16	30	8,4	<b>94,50</b>
R1-1897	Nissan	Qashqai II	6½ Jx16	30	8,4	<b>94,50</b>
R1-1897	Renault	Kadjar/Kadjar XMOD	6½ Jx16	30	8,4	<b>94,50</b>
R1-1898	Nissan	NV200 electric	6 Jx15	40		<b>88,00</b>
R1-1900	Mitsubishi	Space Star	4½ Jx14	54	5,7	<b>62,00</b>
R1-1901	Hyundai	ix20	6 Jx15	40	7,8	<b>83,70</b>
R1-1902	Hyundai	i10	4½ Jx13	63		<b>69,50</b>
R1-1903	Hyundai	i10	5½ Jx14	54	6,4	<b>71,20</b>
R1-1904	BMW	Serie 1 (F20/21)	6½ Jx16	30	7,1	<b>101,50</b>
R1-1905	BMW	Serie 3 Lim/Touring (F30/31)	7 Jx16	30	8,5	<b>90,80</b>
R1-1905	BMW	Serie 4 Grand Coupé	7 Jx16	30	8,5	<b>90,80</b>
R1-1906	BMW	Serie 1 (F20/21)	7 Jx16	30	8,0	<b>101,50</b>

MW Aftermarket	Produttore	Modello	Misura ruota	Pezzi per palette	Peso kg.	prezzo EUR senza IVA
R1-1927	Kia	Soul II	6½ Jx16	30	10,0	<b>95,50</b>
R1-1928	Kia	Sportage III (Facelift)	6½ Jx16	30	9,1	<b>95,50</b>
R1-1929	Mazda	CX3	5½ Jx15	40	8,0	<b>80,30</b>
R1-1929	Mazda	Mazda 2 (MY 2015)	5½ Jx15	40	8,0	<b>80,30</b>
R1-1930	Citroën	C1	4½ Jx14	54	6,6	<b>66,70</b>
R1-1930	Peugeot	108	4½ Jx14	54	6,6	<b>66,70</b>
R1-1930	Toyota	Aygo II	4½ Jx14	54	6,6	<b>66,70</b>
R1-1931	Citroën	C1	4½ Jx15	40	7,8	<b>75,50</b>
R1-1931	Peugeot	108	4½ Jx15	40	7,8	<b>75,50</b>
R1-1931	Toyota	Aygo II	4½ Jx15	40	7,8	<b>75,50</b>
R1-1932	Opel	Astra-J GTC	7 Jx17	25	10,0	<b>105,30</b>
R1-1932	Opel	Cascada	7 Jx17	25	10,0	<b>105,30</b>
R1-1933	Mercedes Nfz	Sprinter II	8½ Jx16	30		<b>190,00</b>
R1-1934	Opel	Insignia/Sports Tourer	7 Jx17	25	10,1	<b>104,90</b>
R1-1934	Saab	9-5	7 Jx17	25	10,1	<b>104,90</b>
R1-1935	Smart	Fortwo III (C453)	5 Jx15	48	5,4	<b>70,50</b>
R1-1935	Smart	Forfour II (W453)	5 Jx15	48	5,4	<b>70,50</b>
R1-1936	Smart	Fortwo III (C453)	5½ Jx15	40	5,7	<b>71,50</b>
R1-1936	Smart	Forfour II	5½ Jx15	40	5,7	<b>71,50</b>
R1-1937	Renault	Twingo III	5 Jx15	40	5,4	<b>70,50</b>
R1-1938	Renault	Twingo III	5½ Jx15	40	5,8	<b>71,50</b>
R1-1939	Volkswagen	Polo GTI	6 Jx16	30		<b>83,70</b>
R1-1941	Fiat Nfz	Ducato MY 2014	6 Jx15	40	10,5	<b>92,50</b>
R1-1942	Hyundai	i20 II	6 Jx15	48	7,6	<b>79,30</b>
R1-1943	Toyota	Prius III	6 Jx16	30	9,1	<b>102,90</b>
R1-1944	Jeep	Renegade	6½ Jx17	25	11,1	<b>83,80</b>
R1-1946	Renault	Espace	7 Jx17	20		<b>109,80</b>
R1-1947	Suzuki	Vitara	6½ Jx16	30		<b>79,20</b>
R1-1948	Ford	Galaxy III	7½ Jx17	20		<b>91,20</b>
R1-1948	Ford	S-Max II	7½ Jx17	20		<b>91,20</b>
R1-1949	Honda	Jazz III	6 Jx15	48		<b>72,60</b>
R1-1950	Hyundai Nfz	H350	6½ Jx16	30		<b>107,20</b>

<b>R1-1851</b>	Volkswagen	Golf VII Variant/Sportsvan	6 Jx 16	30	7,9	<b>87,00</b>
<b>R1-1852</b>	Audi	A3/Sportback	6½ Jx 16	30	7,8	<b>87,20</b>
<b>R1-1852</b>	Seat	Leon III	6½ Jx 16	30	7,8	<b>87,20</b>
<b>R1-1852</b>	Skoda	Octavia III	6½ Jx 16	30	7,8	<b>87,20</b>
<b>R1-1852</b>	Volkswagen	Golf VII	6½ Jx 16	30	7,8	<b>87,20</b>
<b>R1-1852</b>	Volkswagen	Golf VII Variant/Sportsvan	6½ Jx 16	30	7,8	<b>87,20</b>
<b>R1-1853</b>	Hyundai	i30/i30cw	6½ Jx 16	30	9,3	<b>94,20</b>
<b>R1-1853</b>	Kia	Cee'd/Pro Cee'd SW	6½ Jx 16	30	9,3	<b>94,20</b>
<b>R1-1854</b>	Hyundai	i30/i30cw	6 Jx 15	40	7,8	<b>85,20</b>
<b>R1-1854</b>	Kia	Cee'd/Pro Cee'd SW	6 Jx 15	40	7,8	<b>85,20</b>
<b>R1-1855</b>	Renault	Clio IV/Grandtour	6 Jx 15	40	6,1	<b>84,00</b>
<b>R1-1857</b>	Honda	Civic	6½ Jx 16	30	9,7	<b>83,50</b>
<b>R1-1859</b>	Mercedes Nfz	Sprinter II (Facelift)	5½ Jx 16	30	12,0	<b>155,30</b>
<b>R1-1859</b>	Volkswagen Nfz.	Crafter 50	5½ Jx 16	30	12,0	<b>155,30</b>
<b>R1-1860</b>	Chevrolet/Daewoo	Aveo	5½ Jx 14	54	7,0	<b>68,00</b>
<b>R1-1861</b>	Toyota	RAV4	6½ Jx 17	25	10,0	<b>111,50</b>
<b>R1-1862</b>	Toyota	Auris II/Touring Sport	6½ Jx 16	30	9,5	<b>84,50</b>
<b>R1-1862</b>	Toyota	Corolla	6½ Jx 16	30	9,5	<b>84,50</b>
<b>R1-1863</b>	Ford Nfz	Transit/Transit Custom	6½ Jx 15	40	10,1	<b>87,60</b>
<b>R1-1864</b>	Ford Nfz	Transit/Transit Custom	6½ Jx 16	30	9,5	<b>95,00</b>
<b>R1-1865</b>	Renault	Zoe	6 Jx 15	40	6,5	<b>74,50</b>
<b>R1-1866</b>	Chevrolet/Daewoo	Trax	6½ Jx 16	30	8,4	<b>81,90</b>
<b>R1-1866</b>	Opel	Mokka	6½ Jx 16	30	8,4	<b>81,90</b>
<b>R1-1867</b>	Mazda	Mazda-6	6½ Jx 16	30	10,3	<b>84,50</b>
<b>R1-1868</b>	Subaru	Impreza	6 Jx 15	40	7,1	<b>79,50</b>
<b>R1-1871</b>	Audi	A3 Limousine/Cabrio	6½ Jx 16	30	7,6	<b>87,20</b>
<b>R1-1872</b>	Audi	A3/Sportback	7 Jx 16	30	7,7	<b>87,50</b>
<b>R1-1873</b>	Dacia	Logan II/MCV II/Sandero II	6 Jx 15	40	6,4	<b>70,20</b>
<b>R1-1875</b>	Piaggio	Porter	4,50 Bx 14		8,1	<b>74,50</b>
<b>R1-1878</b>	Suzuki	SX-4 S-Cross	6 Jx 16	30	7,5	<b>78,20</b>
<b>R1-1880</b>	Citroën	C4 Aircross	6½ Jx 16	30		<b>90,90</b>
<b>R1-1880</b>	Mitsubishi	Outlander III	6½ Jx 16	30		<b>90,90</b>
<b>R1-1880</b>	Peugeot	4008	6½ Jx 16	30		<b>90,90</b>
<b>R1-1881</b>	Peugeot	308 (MY 2014)	6½ Jx 15	40	10,4	<b>72,00</b>
<b>R1-1882</b>	Peugeot	308 (MY 2014)	7 Jx 16	30	7,8	<b>83,00</b>

<b>R1-1906</b>	BMW	Serie 2 Coupé/Cabrio (F22/F23))	7 Jx 16	30	8,0	<b>101,50</b>
<b>R1-1907</b>	Fiat	500L/Living/Trekking	6 Jx 16	30	8,4	<b>85,00</b>
<b>R1-1907</b>	Opel Nfz.	Combo-D	6 Jx 16	30	8,4	<b>85,00</b>
<b>R1-1908</b>	Citroën Nfz	Jumper II (Facelift)	6 Jx 15	40		<b>92,50</b>
<b>R1-1908</b>	Fiat Nfz	Ducato II/Maxi (Facelift)	6 Jx 15	40		<b>92,50</b>
<b>R1-1908</b>	Peugeot Nfz.	Boxer II (Facelift)	6 Jx 15	40		<b>92,50</b>
<b>R1-1909</b>	Citroën Nfz	Jumper II (Facelift)	6 Jx 16	30	11,8	<b>113,80</b>
<b>R1-1909</b>	Fiat	Ducato	6 Jx 16	30	11,8	<b>113,80</b>
<b>R1-1909</b>	Fiat Nfz	Ducato MY 2014 (Light)	6 Jx 16	30	11,8	<b>113,80</b>
<b>R1-1909</b>	Peugeot Nfz.	Boxer II (Facelift) Light	6 Jx 16	30	11,8	<b>113,80</b>
<b>R1-1910</b>	Citroën Nfz	Jumper II (Facelift)	6 Jx 16	30	13,1	<b>113,80</b>
<b>R1-1910</b>	Fiat	Ducato	6 Jx 16	30	13,1	<b>113,80</b>
<b>R1-1910</b>	Fiat Nfz	Ducato II/Maxi(Facelift)	6 Jx 16	30	13,1	<b>113,80</b>
<b>R1-1910</b>	Peugeot Nfz.	Boxer II (Facelift)	6 Jx 16	30	13,1	<b>113,80</b>
<b>R1-1911</b>	Mercedes	V-Klasse (W447)	6½ Jx 16	30	9,7	<b>114,00</b>
<b>R1-1911</b>	Mercedes Nfz	Vito III/Tourer/Kasten/Mixto	6½ Jx 16	30	9,7	<b>114,00</b>
<b>R1-1912</b>	Mercedes	V-Klasse (W447)	6½ Jx 17	25	10,6	<b>122,00</b>
<b>R1-1912</b>	Mercedes Nfz	Vito III/Tourer/Kasten/Mixto	6½ Jx 17	25	10,6	<b>122,00</b>
<b>R1-1913</b>	Iveco Nfz	Iveco Daily	6½ Jx 16	30	12,2	<b>145,00</b>
<b>R1-1914</b>	Kia	Venga	6 Jx 15	40	5,6	<b>83,70</b>
<b>R1-1915</b>	Mini	Mini II One/Cooper (F55/F56)	5½ Jx 15	40	7,0	<b>88,50</b>
<b>R1-1916</b>	BMW	Serie 2 Active Tourer (F45)	7 Jx 16	30		<b>95,20</b>
<b>R1-1917</b>	BMW	Serie 2 Active Tourer (F45)	7 Jx 16	30		<b>95,20</b>
<b>R1-1918</b>	Fiat	500X	6½ Jx 16	30	9,8	<b>85,00</b>
<b>R1-1919</b>	Mercedes	C-Klasse (W205)	6 Jx 16	30		<b>85,00</b>
<b>R1-1920</b>	Mercedes	GLA	6½ Jx 17	25		<b>99,30</b>
<b>R1-1921</b>	Skoda	Superb III/Combi	6½ Jx 16	30		<b>87,70</b>
<b>R1-1921</b>	Volkswagen	Passat/Variant (MY 2015)	6½ Jx 16	30		<b>87,70</b>
<b>R1-1922</b>	Ford	B-Max	6 Jx 15	40	6,8	<b>74,00</b>
<b>R1-1923</b>	Ford	EcoSport	6 Jx 15	40		<b>74,20</b>
<b>R1-1924</b>	Ford Nfz	Transit	6 Jx 16	30	14,7	<b>115,50</b>
<b>R1-1925</b>	Ford	Tourneo Courier	6 Jx 15	40	9,0	<b>89,50</b>
<b>R1-1925</b>	Ford Nfz	Transit Courier	6 Jx 15	40	9,0	<b>89,50</b>
<b>R1-1926</b>	Hyundai	ix35 (Facelift)	6½ Jx 16	30	10,4	<b>98,80</b>
<b>R1-1926</b>	Hyundai	Tucson	6½ Jx 16	30	10,4	<b>98,80</b>

<b>R1-1951</b>	Mitsubishi	Attrage	5 Jx 14	54		<b>63,80</b>
<b>R1-1952</b>	Opel	Astra-K	6 Jx 15	40		<b>66,30</b>
<b>R1-1953</b>	Opel	Astra-K	6½ Jx 16	30		<b>78,50</b>
<b>R1-1954</b>	Opel	Karl	5 Jx 14	48		<b>57,30</b>
<b>R1-1955</b>	Renault	Megane IV / Megane Grandtour	6 Jx 15	40		<b>71,50</b>
<b>R1-1956</b>	Renault	Megane IV / Megane Grandtour	6½ Jx 16	30		<b>79,50</b>
<b>R1-1956</b>	Renault	Talisman	6½ Jx 16	30		<b>79,50</b>
<b>R1-1957</b>	Suzuki	Celerio	5 Jx 14	56		<b>60,40</b>
<b>R1-1958</b>	Volkswagen	Touran II	6½ Jx 16	30		<b>85,70</b>
<b>R1-1960</b>	Nissan	Evalia	5½ Jx 14	48		<b>83,00</b>
<b>R1-1960</b>	Nissan	NV200 electric	5½ Jx 14	48		<b>83,00</b>
<b>R1-1962</b>	Jeep	Renegade	6½ Jx 16			<b>106,00</b>
<b>R1-1963</b>	Fiat	Tipo MY 2016	6 Jx 15	40		<b>65,80</b>
<b>R1-1964</b>	Fiat	Tipo MY 2016	6½ Jx 16	30		<b>79,60</b>
<b>R1-1965</b>	Nissan	Navara MY 2016	6 Jx 16	30		<b>92,50</b>
<b>R1-1966</b>	Nissan	Navara MY 2016	7 Jx 16	30		<b>104,50</b>
<b>R1-1972</b>	Nissan Nfz.	Cabstar	5 Jx 15	40		<b>90,00</b>
<b>R1-1973</b>	Ford	Ranger	7 Jx 16	30		<b>106,40</b>
<b>R1-1974</b>	Ford	Ranger	7½ Jx 17	25		<b>122,60</b>
<b>R1-1975</b>	Toyota	Hilux	6 Jx 15	40		<b>99,70</b>
<b>R1-1976</b>	Toyota	Hilux	6 Jx 16	30		<b>116,80</b>
<b>R1-1977</b>	Suzuki	Baleno	5 Jx 15	40		<b>65,80</b>
<b>R1-1978</b>	Kia	Sportage IV	6½ Jx 16	30		<b>86,30</b>
<b>R1-1979</b>	Seat	Ateca	6½ Jx 16	30		<b>78,40</b>
<b>R1-1980</b>	Citroën	Jumpy III Kombi/Space Tourer/Dispach	7 Jx 16	30		<b>78,90</b>
<b>R1-1980</b>	Peugeot	Expert / Tourer /Traveller	7 Jx 16	30		<b>78,90</b>
<b>R1-1981</b>	Volkswagen	Tiguan II	6½ Jx 17	25		<b>92,50</b>
<b>R1-1982</b>	Toyota	C-HR	6½ Jx 17	25		<b>102,20</b>
<b>R1-1983</b>	Ford	Kuga II	7½ Jx 17	25		<b>90,70</b>
<b>R1-1984</b>	Renault	Scenic	6½ Jx 20	20		<b>125,30</b>
<b>R1-386</b>	Fiat	500 Epoca	3,50 Bx 12	63		<b>info</b>
<b>R1-857</b>	Alfa Romeo	145/146	6 Jx 15	40	8,9	<b>92,40</b>
<b>R1-857</b>	Alfa Romeo	155	6 Jx 15	40	8,9	<b>92,40</b>
<b>R1-872</b>	Renault	Clio I	5,00 Bx 13	54	5,9	<b>55,30</b>
<b>R1-872</b>	Renault	Clio II	5,00 Bx 13	54	5,9	<b>55,30</b>

## ELENCO PER CODICE PRODOTTO

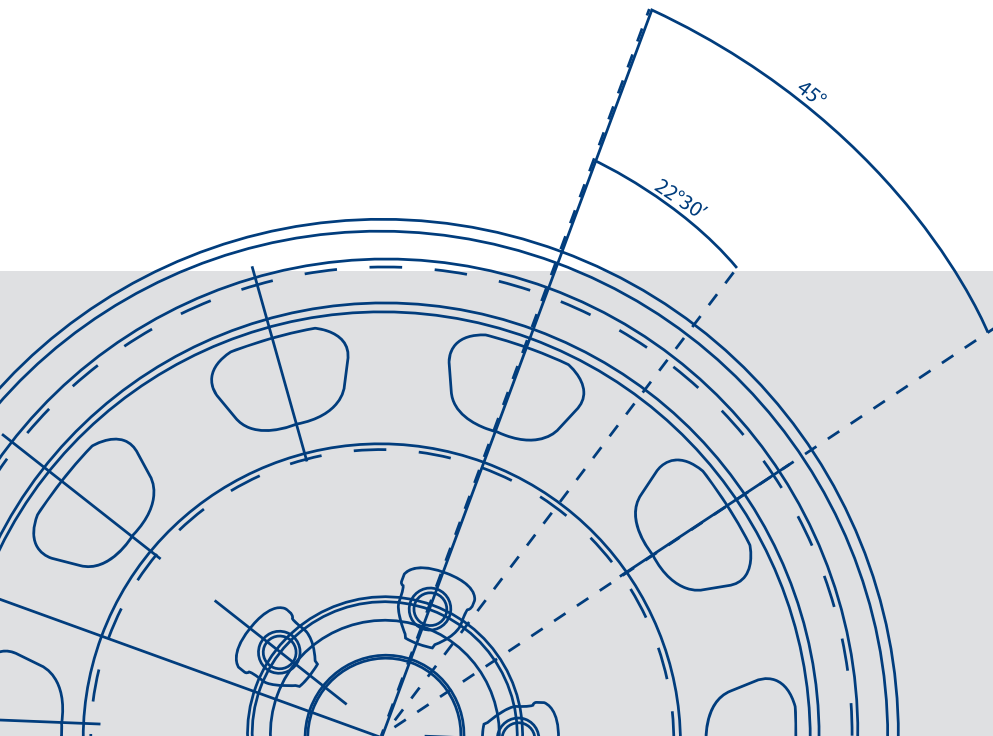
MW Aftermarket	Produttore	Modello	Misura ruota	Pezzi per paletta	Peso kg.	prezzo EUR senza IVA
R1-872	Renault	R5	5,00 B x 13	54	5,9	55,30
R1-872	Renault	R19	5,00 B x 13	54	5,9	55,30
R1-872	Renault	R21	5,00 B x 13	54	5,9	55,30
R1-878	Volkswagen	Corrado	6 J x 14	40	8,3	90,70
R1-878	Volkswagen	Passat/Variant	6 J x 14	40	8,3	90,70
R1-879	Ford	Fiesta III	4½ J x 13	63	5,8	59,60
R1-879	Ford	KA	4½ J x 13	63	5,8	59,60
R1-879	Ford Nfz	Fiesta II Courier	4½ J x 13	63	5,8	59,60
R1-917	Ford	Fiesta III	5 J x 13	54	5,8	63,90
R1-917	Ford	KA	5,00 B x 13	54	5,8	63,90
R1-921	Ford	Escort/Orion	5 J x 13	63	6,5	70,80
R1-921	Ford Nfz	Escort Express Kasten	5 J x 13	63	6,5	70,80
R1-923	Volkswagen	Golf III/Vento	5½ J x 13	54	6,9	80,60
R1-923	Volkswagen	Golf III Syncro	5½ J x 13	54	6,9	80,60
R1-923	Volkswagen Nfz.	Caddy Pickup	5½ J x 13	54	6,9	80,60
R1-926	Lada	1500 L	5,00 B x 13	54	5,7	77,70
R1-926	Lada	Nova	5,00 B x 13	54	5,7	77,70
R1-931	Audi	80/90	6 J x 15	40	8,8	94,50
R1-931	Audi	80	6 J x 15	40	8,8	94,50
R1-931	Audi	80 Cabrio	6 J x 15	40	8,8	94,50
R1-933	Citroën	Saxo	5,00 B x 13	54	5,6	69,70

MW Aftermarket	Produttore	Modello	Misura ruota	Pezzi per paletta	Peso kg.	prezzo EUR senza IVA
R1-933	Peugeot	106	5,00 B x 13	54	5,6	69,70
R1-933	Peugeot	106	5,00 B x 13	54	5,6	69,70
R1-933	Peugeot	306	5,00 B x 13	54	5,6	69,70
R1-950	Renault	Clio I	4,50 B x 13	63	5,0	57,30
R1-950	Renault	Twingo I	4,50 B x 13	63	5,0	57,30
R1-953	BMW	Serie 3 Compact	6 J x 15	40	8,7	91,50
R1-953	BMW	Serie 3	6 J x 15	40	8,7	91,50
R1-953	BMW	Serie 3 Touring	6 J x 15	40	8,7	91,50
R1-953	BMW	Serie 3 Coupé/Cabrio	6 J x 15	40	8,7	91,50
R1-953	BMW	Z3 Roadster	6 J x 15	40	8,7	91,50
R1-956	Citroën Nfz	Jumper	6 J x 16	30	13,0	113,60
R1-956	Citroën Nfz	Jumper	6 J x 16	30	13,0	113,60
R1-956	Fiat	Ducato Kombi/Bus	6 J x 16	30	13,0	113,60
R1-956	Fiat Nfz	Ducato Maxi	6 J x 16	30	13,0	113,60
R1-956	Fiat Nfz	Ducato	6 J x 16	30	13,0	113,60
R1-956	Peugeot	Boxer	6 J x 16	30	13,0	113,60
R1-956	Peugeot	Boxer	6 J x 16	30	13,0	113,60
R1-956	Peugeot Nfz.	Boxer	6 J x 16	30	13,0	113,60
R1-956	Peugeot Nfz.	Boxer 4x4	6 J x 16	30	13,0	113,60
R1-956	Peugeot Nfz.	Boxer	6 J x 16	30	13,0	113,60
R1-957	Citroën	Jumper Kombi	6 J x 15	40	11,2	97,20

MW Aftermarket	Produttore	Modello	Misura ruota	Pezzi per paletta	Peso kg.	prezzo EUR senza IVA
R1-957	Citroën	Jumper Kombi	6 J x 15	40	11,2	97,20
R1-957	Citroën Nfz	Jumper	6 J x 15	40	11,2	97,20
R1-957	Citroën Nfz	Jumper	6 J x 15	40	11,2	97,20
R1-957	Fiat	Ducato Kombi/Bus	6 J x 15	40	11,2	97,20
R1-957	Fiat Nfz	Ducato	6 J x 15	40	11,2	97,20
R1-957	Fiat Nfz	Ducato	6 J x 15	40	11,2	97,20
R1-957	Peugeot	Boxer	6 J x 15	40	11,2	97,20
R1-957	Peugeot	Boxer	6 J x 15	40	11,2	97,20
R1-957	Peugeot Nfz.	Boxer	6 J x 15	40	11,2	97,20
R1-957	Peugeot Nfz.	Boxer	6 J x 15	40	11,2	97,20
R1-965	Opel	Corsa-B	5 J x 13	54	6,4	53,90
R1-965	Opel Nfz.	Corsa-B-Van	5 J x 13	54	6,4	53,90
R1-970	Fiat	Punto/Cabrio	4,50 B x 13	63	5,1	51,00
R1-977	Alfa Romeo	145/146	5½ J x 14	54	7,3	78,20
R1-988	Iveco Nfz	Iveco Daily Eurocargo	6 J x 16	30	16,8	147,00
R1-988	Iveco Nfz	Iveco Daily S2000	6 J x 16	30	16,8	147,00
R1-990	Ford	Mondeo	5½ J x 14	96	7,9	80,50
R1-993	Volkswagen	Golf III/Vento	6 J x 14	45	9,2	90,90
R1-993	Volkswagen	Golf III Syncro	6 J x 14	45	9,2	90,90
R1-993	Volkswagen	Golf III Cabrio	6 J x 14	45	9,2	90,90
R1-993	Volkswagen	Polo III	6 J x 14	45	9,2	90,90



2016  
2017



MW Aftermarket srl



**MW Aftermarket srl**

Via G. D'Annunzio 2 - 21010 Vizzola Ticino (VA) - Italy  
Tel. +39 0331 - 232 111 - Fax +39 0331 - 232 199  
e-mail [am-info@it-mw.gruppocln.com](mailto:am-info@it-mw.gruppocln.com)  
[www.gruppocln.com](http://www.gruppocln.com)

